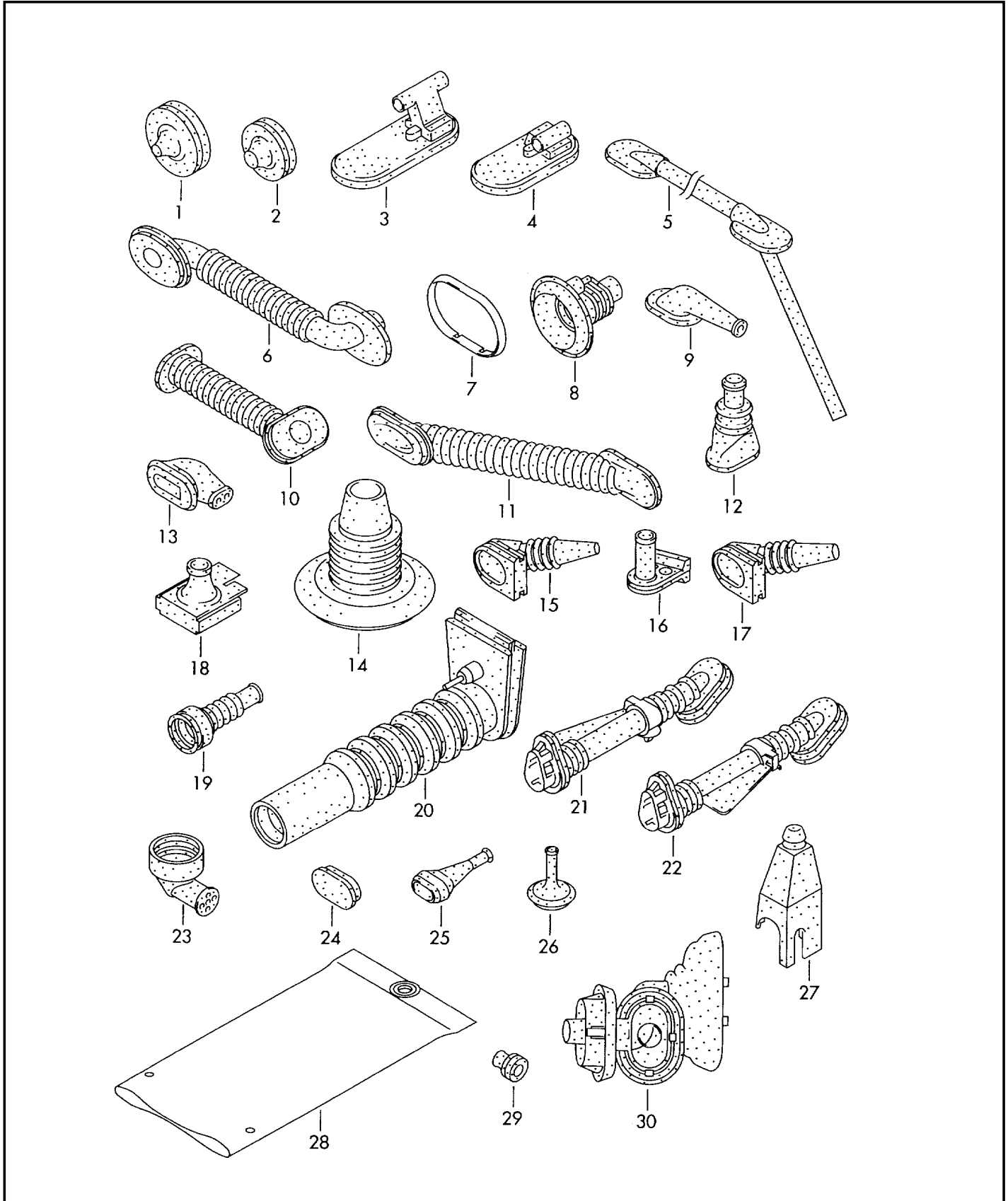




ETKA

| Model | Year | MG | SG | Illustration | Restrictions | UPD | 9:49 | 12.02.2009 |
|-------|------|----|----|--------------|--------------|-----|------|------------|
| EL | 2008 | 9 | 71 | 976-03 | | 739 | | |





ETKA

| | | | | | | | | |
|-------|------|----|----|--------------|--------------|-----|------|------------|
| Model | Year | MG | SG | Illustration | Restrictions | UPD | 9:49 | 12.02.2009 |
| EL | 2008 | 9 | 71 | 976-03 | | 739 | | |

| Pos | Part Number | Description | Remark | Qty | Model |
|------|---------------|--------------------|-----------|-----|-------|
| | | grommet for body | | | |
| 1 | 2D0 906 376 M | grommet | | X | |
| 2 | 2D0 906 376 N | grommet | | X | |
| 3 | 3B0 955 837 B | grommet | | X | |
| 4 | 3B0 955 837 C | grommet | | X | |
| 5 | 3B5 971 840 C | grommet | angled | X | |
| 6 | 3B9 971 840 B | grommet | | X | |
| 7 | 3B9 971 905 | grommet | | X | |
| 8 | 8E0 971 871 H | grommet | 51/10MM | 1 | |
| 9 | 6K5 971 907 | grommet | | X | |
| 10 | 6K6 971 840 B | grommet | | X | |
| 11 | 6K9 971 840 A | grommet | | X | |
| 12 | 7D0 945 527 | grommet | | X | |
| 13 | 7M0 927 909 | grommet | | X | |
| 14 | 7M0 971 840 C | grommet | | X | |
| 15 | 7M0 971 905 B | grommet | | X | |
| 16 | 7M0 971 905 L | grommet | | X | |
| 17 | 7M0 971 905 D | grommet | | X | |
| 18 | 7M0 971 905 F | grommet | | X | |
| 19 | 8D0 972 525 | grommet | | X | |
| 20 | 4B2 971 871 A | grommet | 86,2/199 | X | |
| 21 | 6X0 971 829 D | grommet | | X | |
| 22 | 6X0 971 829 E | grommet | | X | |
| 23 | 8L0 941 189 | grommet | | X | |
| 24 | 7M0 971 908 B | grommet | 16X32 | X | |
| 25 | 893 906 102 | grommet | 17,5X22 | X | |
| 26 | 7M0 971 913 | grommet | 24X4,5 | X | |
| (26) | 1T0 971 913 | grommet | 26/3,0 MM | 1 | |
| (27) | 7M0 971 841 B | grommet starter | | 1 | |
| 28 | 2D0 906 376 | grommet | 220X112 | X | |



ETKA

| | | | | | | | | |
|-------|------|----|----|--------------|--------------|-----|------|------------|
| Model | Year | MG | SG | Illustration | Restrictions | UPD | 9:49 | 12.02.2009 |
| EL | 2008 | 9 | 71 | 976-03 | | 739 | | |

| Pos | Part Number | Description | Remark | Qty | Model |
|-----|---------------|------------------------------|--------|-----|-------|
| 29 | 2D0 906 376 C | grommet | 22MM | X | |
| 30 | 8H0 959 845 A | bellows with retaining frame | | X | |