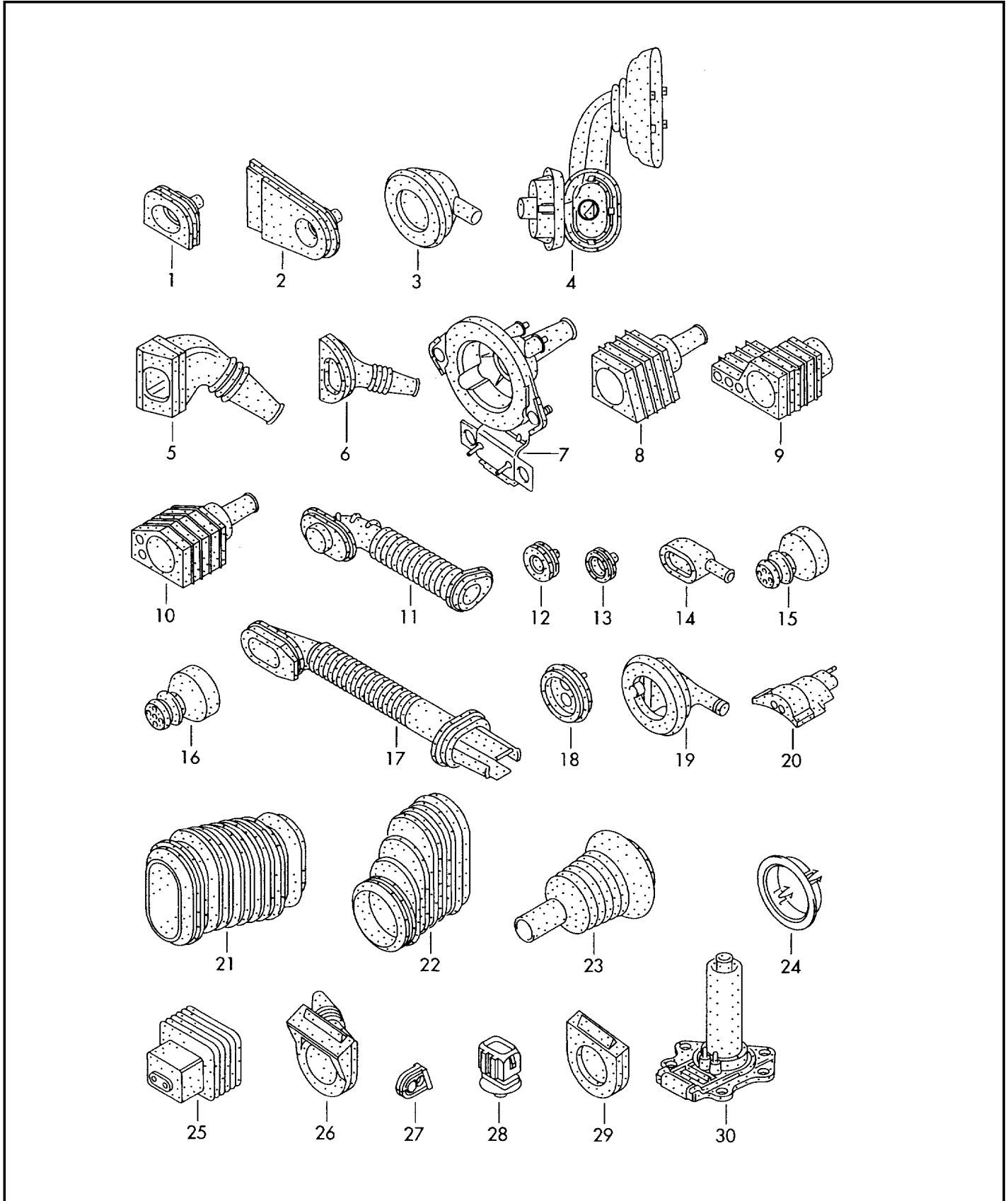




ETKA

Model	Year	MG	SG	Illustration	Restrictions	UPD	9:48	12.02.2009
EL	2008	9	71	976-02		739		





ETKA

Model	Year	MG	SG	Illustration	Restrictions	UPD	9:48	12.02.2009
EL	2008	9	71	976-02		739		

Pos	Part Number	Description	Remark	Qty	Model
		grommet for connector housing			
1	1J0 941 389	grommet		X	
2	1J0 941 389 B	grommet		X	
3	1J0 971 903	grommet		X	
4	4E0 959 845 A	bellows with retaining frame		X	
5	1J0 971 905 B	grommet		X	
6	1J0 971 905 C	grommet		X	
7	1J0 971 915 C	grommet		X	
(7)	1K0 971 915 D	grommet	left	1	
8	1J0 971 984 D	grommet		X	
9	1J0 971 984 E	grommet		X	
10	1J0 971 984 F	grommet		X	
11	1J6 971 840 A	grommet		X	
12	2D0 906 376 F	grommet		X	
13	2D0 906 376 H	grommet		X	
14	8D0 906 102 A	protective cap	angled	X	
15	4A0 941 189	grommet	28	X	
(15)	4A0 906 102	grommet	30	X	
16	8D0 941 189	grommet		X	
17	4B9 971 840	grommet		X	
18	4B0 971 841 B	grommet	34	X	
19	4B0 971 908	grommet	41/8	X	
20	4B0 971 841 D	grommet		X	
21	8D0 959 845 F	bellows with retaining frame	60X36/60X36	X	
22	8D0 959 845 E	bellows with retaining frame counterpart to:	37,5X78,5/40 8D0 937 545E	X	
23	1H0 971 840 C	grommet		X	
(23)	8E0 971 871 G	grommet	51,0/18,0	X	
(23)	8E0 971 871 C	grommet	51,0/10,0	X	
24	1H0 973 132	ring	49,8X11,8	X	
25	8D0 906 102 B	grommet		X	



ETKA

Model	Year	MG	SG	Illustration	Restrictions	UPD	9:48	12.02.2009
EL	2008	9	71	976-02		739		

Pos	Part Number	Description	Remark	Qty	Model
26	1H0 971 905 J	grommet	39/6	X	
27	6H0 971 908	plug		X	
28	6N0 971 918 A	plug		X	
29	6N0 971 908 C	plug		X	
30	1K0 971 915 E	grommet	right	1	