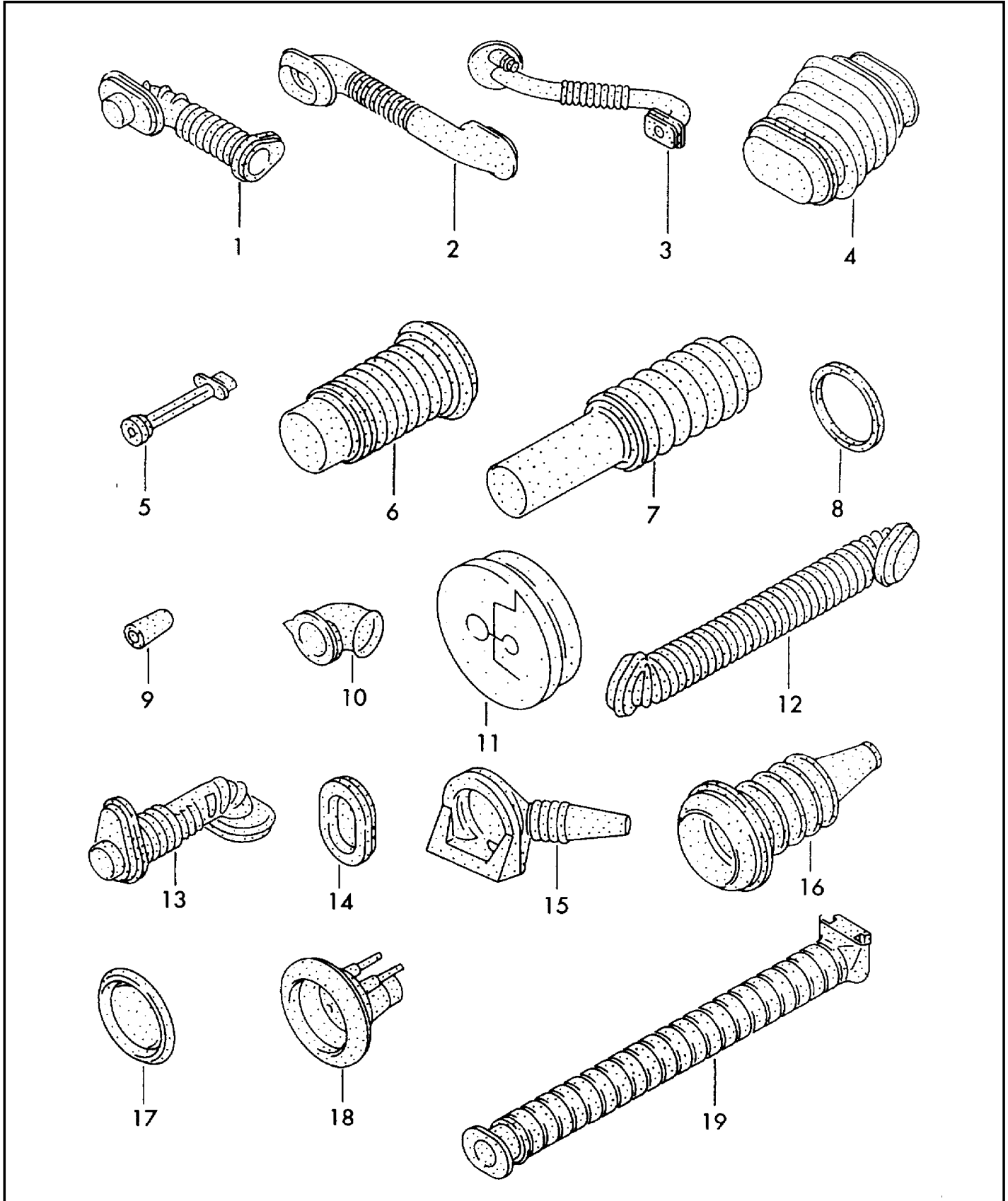




ETKA

Model	Year	MG	SG	Illustration	Restrictions	UPD	9:54	12.02.2009
EL	2008	9	71	976-13		739		





ETKA

Model	Year	MG	SG	Illustration	Restrictions	UPD	9:54	12.02.2009
EL	2008	9	71	976-13		739		

Pos	Part Number	Description	Remark	Qty	Model
		grommet for body			
1	1H6 971 840	grommet	38,8X28,8/17	X	
2	4A9 971 840	grommet		X	
3	895 971 840	grommet		X	
4	4A0 959 845 B	bellows	60/36/55X33	X	
5	1H6 971 910	grommet		X	
6	1H0 971 916 B	bellows	48,5/36/66	X	
7	535 971 916	bellows	38,5/33,5/38,5	X	
8	N 904 655 01	grommet	20,5X24,2	X	
9	N 905 530 01	protective cap	3,2X14	X	
10	1H0 907 545	grommet		X	
11	8A0 959 841 A	grommet	65	X	
12	1E0 971 840	grommet	35X25/35X25	X	
13	1H9 971 840	grommet	27,5/24,8X43,5	X	
14	1H9 971 904	plug	24,5X38,5	X	
15	1H0 971 905 B	grommet	39/6	X	
16	1H0 971 840	grommet	46/10,5	X	
17	1H4 971 908 A	plug	41	X	
18	8A0 971 908 C	grommet	52/13	X	
19	281 971 916	bellows		X	
-	8E9 971 840	grommet	275X25X35	X	