



Figure C05.1 - BMW M50 Cam Angle Sensor



Figure C05.2 - BMW M50 Crank Angle Sensor

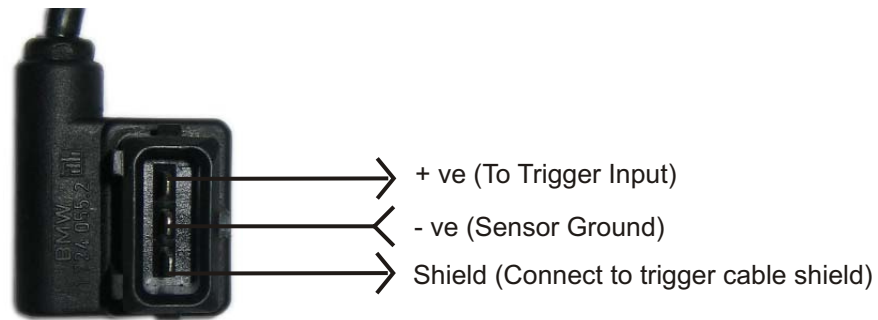


Figure C05.2 - BMW M50 Cam/Crank Angle Sensor Pinout