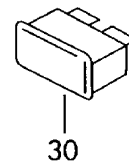
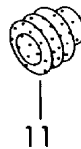
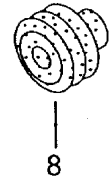
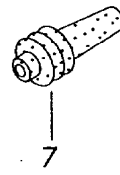
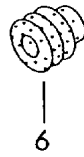
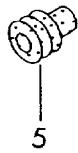
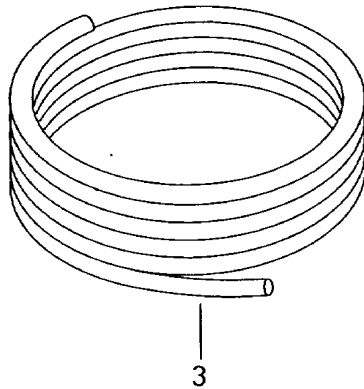
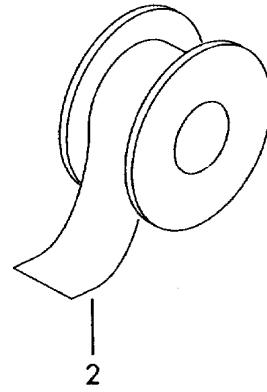
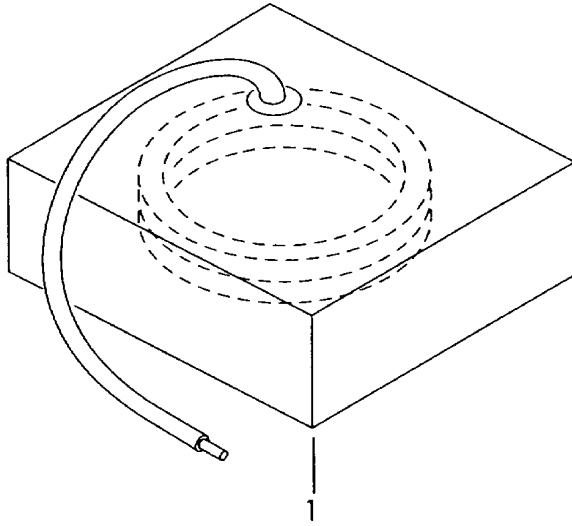




ETKA

Model	Year	MG	SG	Illustration	Restrictions	UPD	9:59	12.02.2009
EL	2008	9	71	979-20		739		





ETKA

Model	Year	MG	SG	Illustration	Restrictions	UPD	9:59	12.02.2009
EL	2008	9	71	979-20		739		

Pos	Part Number	Description	Remark	Qty	Model
		electric cable insulating tape insulating hose heat deflector hose 1 set: shrink fit sleeves can be sealed watertight			
(1)	000 979 980	electric cable in bag	10m yellow -40C/+105C	X	0,35
(1)	000 979 980 A	electric cable in bag	10m yellow -40C/+125C	1	0,35QMM
(1)	000 979 981	electric cable in bag	10m yellow -40C/+105C	X	0,5
(1)	000 979 981 A	electric cable in bag	10m yellow -40C/+125C	1	0,5QMM
(1)	000 979 982	electric cable in bag	10m yellow -40C/+105C	X	1
(1)	000 979 982 A	electric cable in bag	10m yellow -40C/+125C	1	1,0QMM
(1)	000 979 983	electric cable in bag	10m yellow -40C/+105C	X	1,5
(1)	000 979 983 A	electric cable in bag	10m yellow -40C/+125C	1	1,5QMM
(1)	000 979 984	electric cable in bag	10m yellow -40C/+105C	X	2,5
(1)	000 979 984 A	electric cable in bag	10m yellow -40C/+125C	1	2,5QMM
(1)	000 979 985	electric cable in bag	5m yellow -40C/+105C	X	4
(1)	000 979 985 A	electric cable in bag	5m yellow -40C/+125C	1	4,0QMM
(1)	000 979 986	electric cable in bag	5m yellow -40C/+105C	X	6
(1)	000 979 986 A	electric cable in bag	5m yellow -40C/+125C	1	6,0QMM
(1)	000 979 987	electric cable in bag	10m green/yellow white/yellow CAN-BUS	X	2X0,35QMM
(1)	N 900 120 08	resistance cable (green) in coils of 25m 'order unit 25'	14 OHM/M	X	
(1)	N 900 120 04	resistance cable (transparent/ green) in coils of 25m 'order unit 25'	0,5 OHM/M	X	



ETKA

Model	Year	MG	SG	Illustration	Restrictions	UPD	9:59	12.02.2009
EL	2008	9	71	979-20		739		

Pos	Part Number	Description	Remark	Qty	Model
(1)	N 900 120 05	resistance cable (transparent/ black) in coils of 25m 'order unit 25'	0,27 OHM/M	X	
2	N 103 113 04	insulating tape	19 yellow	X	
(2)	000 979 950	webbing adhesive tape	0,3X19X10000MM black	1	
(2)	533 863 288 A	felt strips (self-adhesive) 'order qty. 25'	20X3X880MM	*	
(2)	533 867 910 A	felt strips (self-adhesive) 'order qty. 25'	20X1X880MM	*	
(2)	1J0 971 798 C	sealing tape	220X60X4MM	1	
3	N 018 004 1	insulating hose in coils of 5m 'order unit 5'	4X0,5X5000MM	X	
(3)	N 018 007 5	insulating hose in coils of 5m 'order unit 5'	W7X0,6X5000MM black/white	X	
(3)	N 900 183 02	insulating hose in rolls of 5m high temperature resistant 'order unit 5'	brown 11X0,7X5000MM +250C/-40C	X	
(3)	N 018 014 1	insulating hose in coils of 5m 'order unit 5'	14X0,8X5000MM	X	
(3)	811 971 790 A	plastic foam tube	70X40X25MM	X	
(3)	811 971 790 B	plastic foam tube	70X45X30MM	X	
(3)	3C9 971 889	protective tube	650MM	1	
(3)	000 979 993	heat resistant hose (glass fibre weave) temp. resistant:	7X1500MM +400C	X	
(3)	000 979 994	heat resistant hose (glass fibre weave) temp. resistant:	13X1500MM +400C	X	
(3)	000 979 995	heat resistant hose (glass fibre weave) temp. resistant:	20X1500MM +400C	X	
(3)	000 979 996	heat resistant hose (glass fibre weave) temp. resistant:	28X1500MM +400C	X	
(3)	000 979 997	heat resistant hose (glass fibre weave) temp. resistant:	22X1500MM +400C	1	
(3)	000 979 990	1 set: shrink fit sleeves can be sealed watertight contents of package:	3MM/1MM 20 STK	X	



ETKA

Model	Year	MG	SG	Illustration	Restrictions	UPD	9:59	12.02.2009
EL	2008	9	71	979-20		739		

Pos	Part Number	Description	Remark	Qty	Model
(3)	000 979 991	1 set: shrink fit sleeves can be sealed watertight contents of package:	6MM/2MM 12 STK	X	
(3)	000 979 992	1 set: shrink fit sleeves can be sealed watertight contents of package:	12MM/4MM 8 STK	X	
(4)	1J0 972 741	single wiring seal for wire cross section:	4,5X8,0MM grey 0,3-1.0	1	
(4)	1C0 972 742	single wiring seal for wire cross section:	4,5X5,8MM WEISS 0,22-1,0	1	
(4)	3C0 972 741	single wiring seal for wire cross section:	3,9X8,0MM yellow orange 0,3-1.0	1	
(4)	3B0 972 742 B	single wiring seal for wire cross section:	3,6X8,5MM yellow 0,35	X	
(4)	3B0 972 742 C	single wiring seal for wire cross section:	3,6X8,5MM green 0,5-0,75	X	
(4)	3B0 972 742 D	single wiring seal profile: box section for wire cross section:	4,9X1,8MM turquoise(gr.) 0,35	1	
(4)	3B0 972 742 E	single wiring seal profile: box section for wire cross section:	4,9X1,8MM red brown 0,5	X	
(4)	4B0 972 740	single wiring seal for wire cross section:	4,0X7,8MM blue 1,5	X	
4	357 972 740 D	single wiring seal for wire cross section:	3,9X7,8MM grey 0,5-1,0	X	
(4)	357 972 740 E	single wiring seal for wire cross section:	3,9X7,8MM red 0,35-0,5	X	
(4)	357 972 740 F	single wiring seal for wire cross section:	3,9X7,8MM yellow 1,0	X	
(5)	06A 972 741	single wiring seal for wire cross section: to be used for:	5,0X6,4MM grey 0,35-0,5 06A 973 722	X	



ETKA

Model	Year	MG	SG	Illustration	Restrictions	UPD	9:59	12.02.2009
EL	2008	9	71	979-20		739		

Pos	Part Number	Description	Remark	Qty	Model
(5)	06A 972 741 D	single wiring seal for wire cross section: to be used for:	5,0X6,4MM blue 0,75-1,0 07C 973 722 06A 973 722	X	
5	357 972 741	single wiring seal for wire cross section:	5,6X7,8MM blue 0,35-1,0	X	
(5)	1J0 972 741 B	single wiring seal for wire cross section:	5,6X7,5MM blue 0,7-1.0	1	
(5)	1J0 972 741 A	single wiring seal for wire cross section:	5,6X7,5MM red brown 1,5-2,5	1	
(5)	357 972 741 A	single wiring seal for wire cross section:	5,6X7,8MM red 1,5	X	
(5)	357 972 741 B	single wiring seal for wire cross section:	5,6X7,8MM yellow orange 2,5	X	
(5)	3B0 972 741	single wiring seal for wire cross section:	6,3X7,8MM grey 0,35-1,0	X	
(5)	3B0 972 741 A	single wiring seal for wire cross section:	6,3X7,8MM yellow 1,0-2,5	X	
(5)	3D0 972 741	single wiring seal for wire cross section: only for:	6,35X5,8MM beige 2,5 3D0 941 165 A	X	
(6)	3B0 972 742	single wiring seal for wire cross section:	8,2X8,5MM white 1,5-2,5	X	
(6)	3B0 972 742 A	single wiring seal for wire cross section:	8,2X8,5MM yellow 4,0	X	
6	357 972 742	single wiring seal for wire cross section:	9,0X7,8MM yellow 1,0	X	
(6)	357 972 742 A	single wiring seal for wire cross section:	9,0X7,8MM white 1,5	X	
(6)	357 972 742 B	single wiring seal for wire cross section:	9,0X7,8MM red 2,5	X	



ETKA

Model	Year	MG	SG	Illustration	Restrictions	UPD	9:59	12.02.2009
EL	2008	9	71	979-20		739		

Pos	Part Number	Description	Remark	Qty	Model
(6)	357 972 742 C	single wiring seal for wire cross section:	9,0X7,8MM green 4,0	X	
(6)	357 972 742 E	single wiring seal for wire cross section:	9,0X7,8MM blue 4,0	X	
(6)	357 972 742 D	single wiring seal for wire cross section:	9,0X7,8MM grey 6,0	X	
7	357 972 743	single wiring seal for wire cross section:	9,0X23,5MM blue 1,5	X	
(8)	1J0 972 741 D	single wiring seal for wire cross section:	12,2X14,0MM black 6,0	1	
(8)	1J0 972 744	single wiring seal for wire cross section:	12,8X10,6MM black 6,0	X	
(8)	1K0 972 744 A	single wiring seal for wire cross section:	12,8X10,6MM green 2,5-4,0	X	
(8)	3B0 972 744	single wiring seal for wire cross section:	14,9X11,1MM red brown 4,0	X	
(8)	1K0 972 744 B	single wiring seal for wire cross section:	12,8X10,6MM grey 4,0-6,0	X	
8	357 972 744	single wiring seal for wire cross section:	16,2X15,0MM orange 4,0	X	
(8)	357 972 744 A	single wiring seal for wire cross section:	16,2X15,0MM light blue 6,0	X	
(8)	3B0 972 744 A	single wiring seal for wire cross section:	14,9X11,1MM green 6,0	X	
(9)	3B0 972 840	plug	3,6X8,5MM blue	X	
9	3C0 972 841	plug also to be used for:	4,0X7,8MM orange natural	X	



ETKA

Model	Year	MG	SG	Illustration	Restrictions	UPD	9:59	12.02.2009
EL	2008	9	71	979-20		739		

Pos	Part Number	Description	Remark	Qty	Model
(9)	1J0 972 841 A	plug	4,4X7,5MM white	X	
10	357 972 841	plug	5,6X7,8MM green	X	
(10)	3B0 972 841	plug	6,3X7,8MM natural	X	
11	357 972 842	plug	9,0MM black	X	
(11)	3B0 972 842	plug profile: box section	4,9X1,8MM light blue	X	
(11)	1J0 972 844	plug	12,9X10,6MM white	X	
30		fuse see illustration:	937-00		