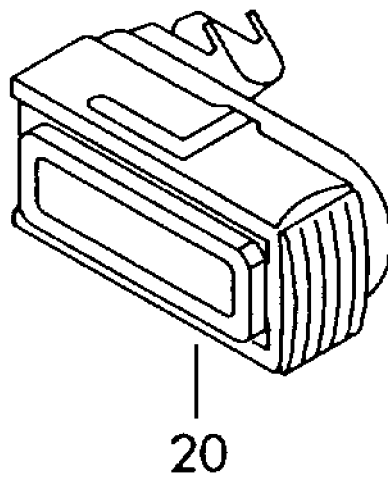
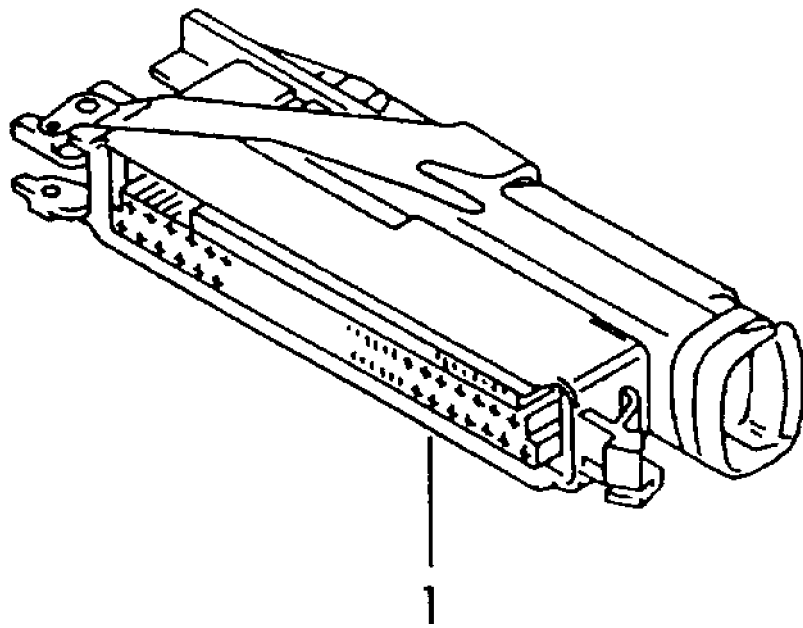




# ETKA

Model	Year	MG	SG	Illustration	Restrictions	UPD	9:43	12.02.2009
EL	2008	9	71	973-15		739		





# ETKA

Model	Year	MG	SG	Illustration	Restrictions	UPD	9:43	12.02.2009
EL	2008	9	71	973-15		739		

Pos	Part Number	Description	Remark	Qty	Model
1	8D1 906 370	plug housing flat contact housing with gasket for single wiring:	88-pin 88-pin black 000 979 006 000 979 021 000 979 121 000 979 133 000 979 133 A 000 979 225 000 979 225 A	X X X X X X X	0,5 0,5 1,0 1,0 1,0 2,5 2,5
(1)	4B0 973 083 A	flat contact housing control unit for single wiring:	88-pin black 000 979 006 000 979 021 000 979 121 000 979 133 000 979 133 A 000 979 225 000 979 225 A	1 X X X X X X X	0,5 0,5 1,0 1,0 1,0 2,5 2,5
20	4E0 906 385	plug housing flat contact housing with contact locking mechanism for single wiring:	94-pin 94-pin black 000 979 026 000 979 026 A 000 979 030 000 979 151 000 979 151 A 000 979 242 000 979 242 A 000 979 246 use if required: 7L0 971 904 7L0 971 904 A	1 X X X X X X X X X X X	0,5 0,5 0,5 1,0 1,0 2,5 2,5 1,5 1,5 MM 0,63 MM
(20)	3C0 906 385	flat contact housing for single wiring: use if required:	94-pin black 000 979 026 000 979 026 A 000 979 030 000 979 151 000 979 151 A 000 979 242 000 979 242 A 000 979 246 use if required: 7L0 971 904 7L0 971 904 A	1 X X X X X X X X X X	0,5 0,5 0,5 1,0 1,0 2,5 2,5 1,5 1,5 MM 0,63 MM



# ETKA

Model	Year	MG	SG	Illustration	Restrictions	UPD	9:43	12.02.2009
EL	2008	9	71	973-15		739		

Pos	Part Number	Description	Remark	Qty	Model
(20)	3B0 906 385 C	flat contact housing with contact locking mechanism for single wiring:	94-pin black 000 979 026 000 979 026 A 000 979 030 000 979 151 000 979 151 A 000 979 242 000 979 242 A 000 979 246 use if required: 7L0 971 904 7L0 971 904 A	1  X X X X X X X X X X X	 0,5 0,5 0,5 1,0 1,0 2,5 2,5 1,5 1,5 MM 0,63 MM
(20)	7L0 906 385 A	flat contact housing with contact locking mechanism for single wiring:	94-pin black 000 979 026 000 979 026 A 000 979 030 000 979 151 000 979 151 A 000 979 242 000 979 242 A 000 979 246 use if required: 7L0 971 904 7L0 971 904 A	1  X X X X X X X X X X X	 0,5 0,5 0,5 1,0 1,0 2,5 2,5 1,5 1,5 MM 0,63 MM
(20)	8K0 906 385	flat contact housing with contact locking mechanism for single wiring:	94-pin black 000 979 026 000 979 026 A 000 979 030 000 979 151 000 979 151 A 000 979 242 000 979 242 A 000 979 246 use if required: 7L0 971 904 7L0 971 904 A	1  X X X X X X X X X X X	 0,5 0,5 0,5 1,0 1,0 2,5 2,5 1,5 1,5 MM 0,63 MM
(20)	8K0 906 385 B	flat contact housing with contact locking mechanism for single wiring:	94-pin black 000 979 026 000 979 026 A 000 979 030 000 979 151 000 979 151 A 000 979 242 000 979 242 A 000 979 246 use if required: 7L0 971 904 7L0 971 904 A	1  X X X X X X X X X X X	 0,5 0,5 0,5 1,0 1,0 2,5 2,5 1,5 1,5 MM 0,63 MM
-	7L0 971 904	sealing pin	1,5 MM	X	
-	7L0 971 904 A	sealing pin	0,63 MM	X	
		plug housing	100 pin		



# ETKA

Model	Year	MG	SG	Illustration	Restrictions	UPD	9:43	12.02.2009
EL	2008	9	71	973-15		739		

Pos	Part Number	Description	Remark	Qty	Model
-	4F0 998 102	flat connector housing control unit for airbag for single wiring:	100 pin yellow 000 979 009 000 979 009 A 000 979 039 A 000 979 030	1  X X X X	  0,5 0,5 0,5 0,5
-	8K0 998 125	flat connector housing control unit for airbag for single wiring:	100 pin yellow 000 979 009 000 979 009 A 000 979 030 000 970 039 A	1  X X X X	  0,5 0,5 0,5 0,5
-	7L0 971 904	sealing pin	1,5 MM	X	
-	7L0 971 904 A	sealing pin	0,63 MM	X	