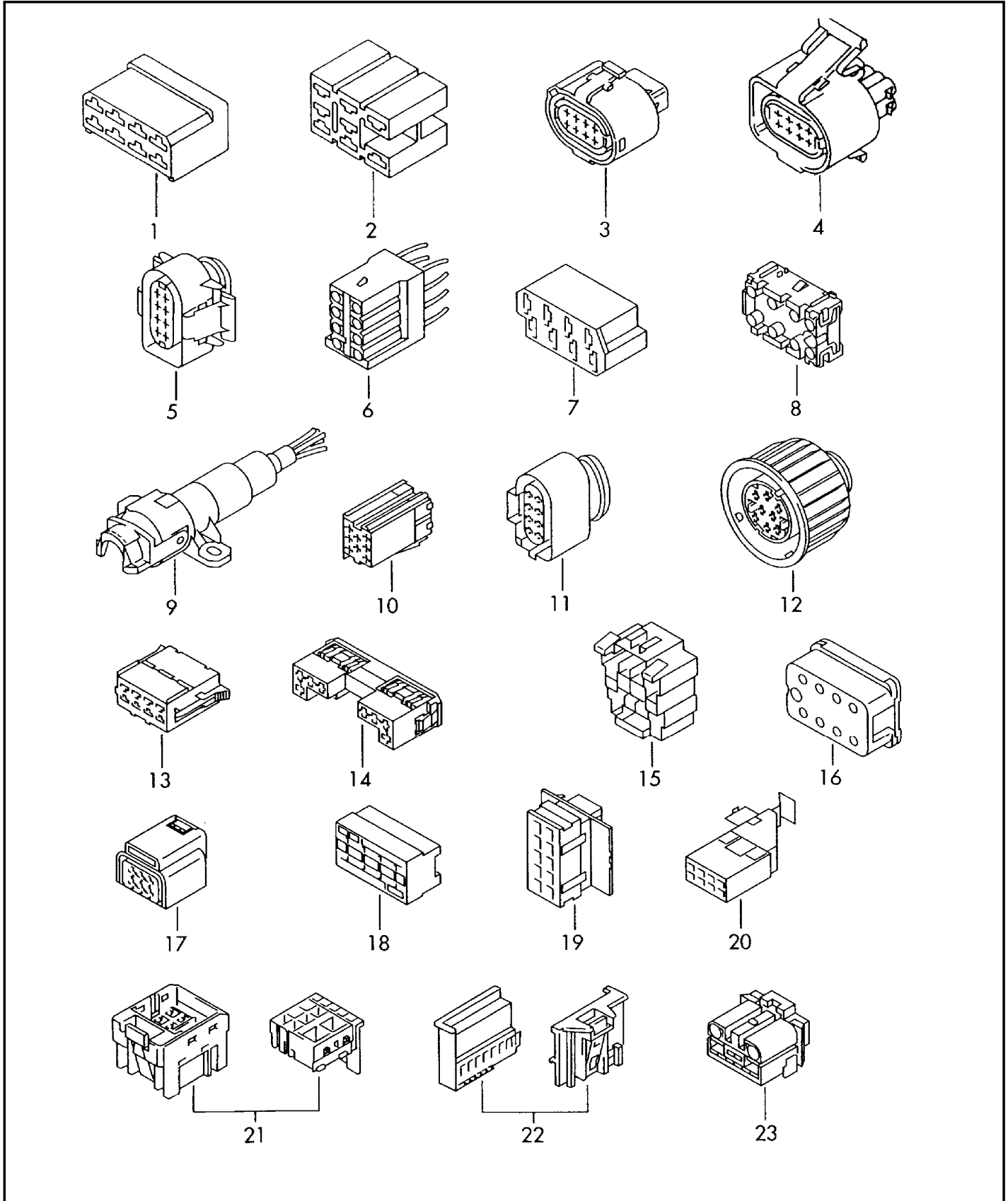




# ETKA

Model	Year	MG	SG	Illustration	Restrictions	UPD	9:15	12.02.2009
EL	2008	9	71	971-21		739		





# ETKA

Model	Year	MG	SG	Illustration	Restrictions	UPD	9:15	12.02.2009
EL	2008	9	71	971-21		739		

Pos	Part Number	Description	Remark	Qty	Model
1		plug housing see illustration:	8 pin 971-30		
2	--- --- ---	no longer available		X	
3	1H0 973 208	flat contact housing with gasket for single wiring:	8 pin black 000 979 131 000 979 131 A	X X	1,0 1,0
4	3A0 973 714	flat contact housing for single wiring:	8 pin black 000 979 131 000 979 131 A	X X	1,0 1,0
5	4A0 973 714 G	flat contact housing for single wiring:	8 pin grey 000 979 131 000 979 131 A	X X	1,0 1,0
6	2TA 973 118	cylindrical connector with retaining lug	8 pin grey	X	
7	2D0 971 989 AN	flat contact housing for single wiring:	8 pin black 000 979 106 000 979 204	X X	1,0 2,5
8	2D0 971 989 BH	round connector housing cyl. connector with solder pin	8 pin black 2D0 972 982 A	X X	
9	2D0 971 989 R	flat contact housing	8 pin black	X	
10	4A0 972 643 B	flat contact housing for single wiring: use if required:	8 pin blue 000 979 131 000 979 131 A 4A0 972 643 4A0 972 643 A	X X 1 1	1,0 1,0
11	1J0 973 714 G	flat contact housing for single wiring: counterpart to:	8 pin grey 000 979 131 000 979 131 A 1J0 973 814	X X X	1,0 1,0
12	045 973 121 A	flat contact housing for single wiring: counterpart to:	8 pin black 000 979 225 000 979 225 A 045 971 600	1 X X	2,5 2,5
(12)	038 973 121 B	flat contact housing for single wiring: counterpart to:	8 pin yellow 000 979 225 000 979 225 A 038 971 600	1 X X	2,5 2,5



# ETKA

Model	Year	MG	SG	Illustration	Restrictions	UPD	9:15	12.02.2009
EL	2008	9	71	971-21		739		

Pos	Part Number	Description	Remark	Qty	Model
13	281 957 897 C	flat connector housing for single wiring:	8 pin black 000 979 133 000 979 133 A 000 979 225 000 979 225 A	X X X X	1,0 1,0 2,5 2,5
14	8L0 972 974	flat contact housing for single wiring:	8 pin black 000 979 133 000 979 227	X X X	1,0 2,5
15	3A0 937 517	junction box	8 pin black	X	
16	2D0 971 989 DF	flat contact housing cyl. connector with solder pin	8 pin black 2D0 972 982 D	X X	
17	6X0 972 928	flat contact housing emergency light switch for single wiring:	8 pin black 000 979 133 000 979 133 A 000 979 225 000 979 225 A	X X X X	1,0 1,0 2,5 2,5
18	1J0 971 971	flat contact housing for single wiring:	8 pin black 000 979 135 000 979 227 000 979 407	X X X X	1,0 2,5 6,0
19	1J0 972 784	flat contact housing for single wiring: counterpart to:	8 pin black 000 979 136 000 979 228 1J0 972 774	X X X	1,0 2,5
20	8Z0 972 883	flat contact housing for single wiring:	8 pin black 000 979 018 000 979 018 A	X X X	0,5 0,5
(20)	8L0 971 883	flat contact housing for single wiring:	8 pin black 000 979 009 000 979 009 A	1 X X	0,5 0,5
21	6Q0 959 383	flat contact housing with contact locking mechanism for single wiring:	8 pin black/white 000 979 131 000 979 131 A 000 979 225 000 979 225 A	X X X X	1,0 1,0 2,5 2,5
22	6Q0 972 708	flat contact housing for single wiring:	8 pin black 000 979 009 000 979 009 A	X X	0,5 0,5



# ETKA

Model	Year	MG	SG	Illustration	Restrictions	UPD	9:15	12.02.2009
EL	2008	9	71	971-21		739		

Pos	Part Number	Description	Remark	Qty	Model
23	6Q0 972 928	flat contact housing for single wiring:	8 pin yellow 000 979 029	1 x	0,5