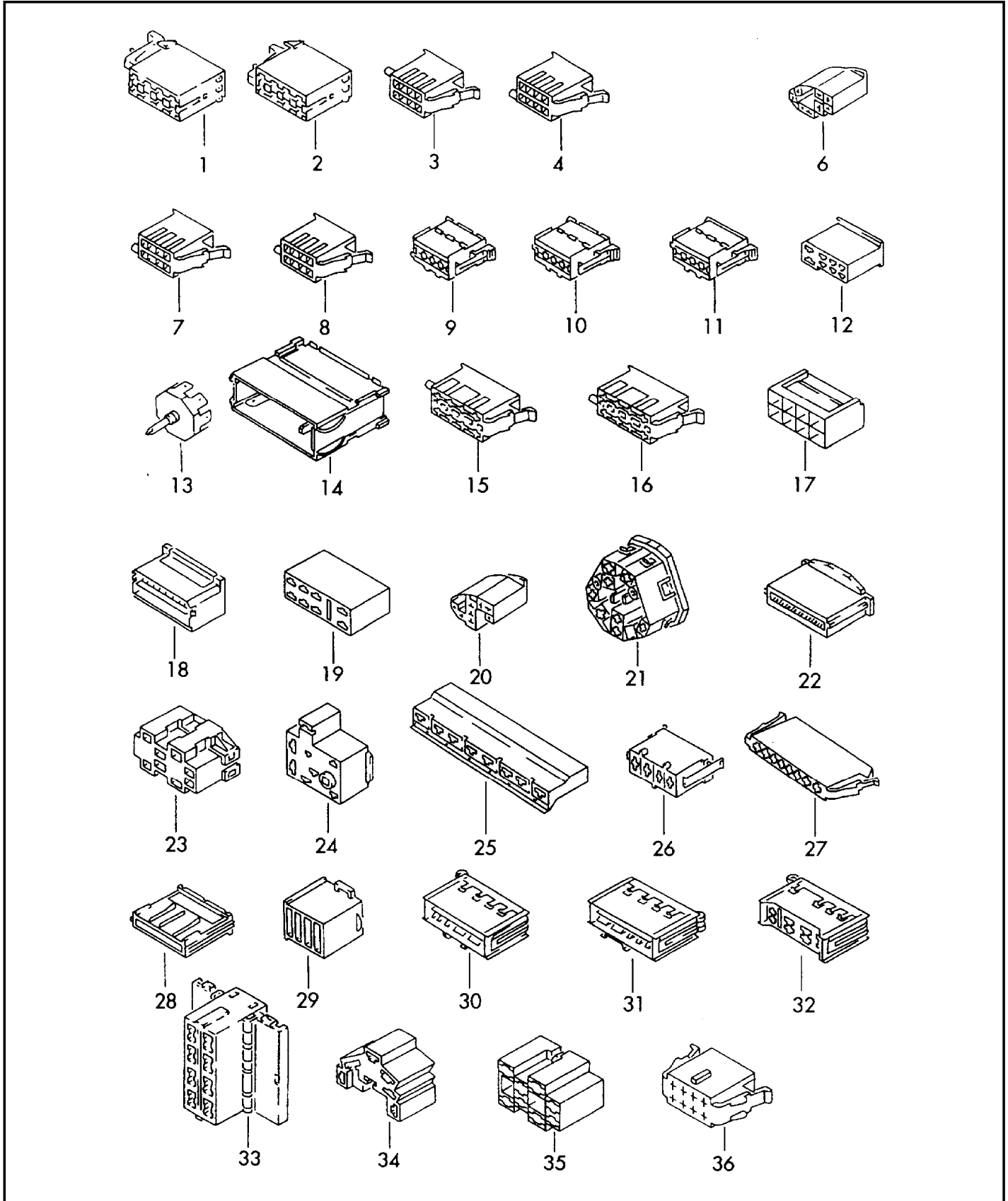




ETKA

Model	Year	MG	SG	Illustration	Restrictions	UPD	9:14	12.02.2009
EL	2008	9	71	971-20		739		





ETKA

Model	Year	MG	SG	Illustration	Restrictions	UPD	9:14	12.02.2009
EL	2008	9	71	971-20		739		

Pos	Part Number	Description	Remark	Qty	Model
1	357 035 447	plug housing	8 pin		
		flat contact housing	8 pin black	X	
		for single wiring:	000 979 133	X	1,0
		000 979 133 A	X	1,0	
		000 979 225	X	2,5	
2	357 035 447 A	flat contact housing	8 pin brown	X	
		for single wiring:	000 979 133	X	1,0
		000 979 133 A	X	1,0	
		000 979 225	X	2,5	
		000 979 225 A	X	2,5	
3	357 919 968 B	flat contact housing with contact locking mechanism	8 pin green	X	
		for single wiring:	000 979 133	X	1,0
		000 979 133 A	X	1,0	
		000 979 225	X	2,5	
		000 979 225 A	X	2,5	
4	357 947 968	flat contact housing with contact locking mechanism	8 pin red	X	
		for single wiring:	000 979 133	X	1,0
		000 979 133 A	X	1,0	
		000 979 225	X	2,5	
		000 979 225 A	X	2,5	
6	171 953 635 A	flat contact housing	8 pin	X	
		for single wiring:	000 979 105	X	1,0
		000 979 106	X	1,0	
7	357 953 968 B	flat contact housing with contact locking mechanism	8 pin yellow	X	
		for single wiring:	000 979 133	X	1,0
		000 979 133 A	X	1,0	
		000 979 225	X	2,5	
		000 979 225 A	X	2,5	
8	357 955 968	flat contact housing with contact locking mechanism	8 pin brown	X	
		for single wiring:	000 979 133	X	0,5
		000 979 133 A	X	1,0	
		000 979 225	X	2,5	
		000 979 225 A	X	2,5	
9	281 957 897 A	flat connector housing	8 pin yellow	X	
		for single wiring:	000 979 133	X	1,0
		000 979 133 A	X	1,0	
		000 979 225	X	2,5	
		000 979 225 A	X	2,5	



ETKA

Model	Year	MG	SG	Illustration	Restrictions	UPD	9:14	12.02.2009
EL	2008	9	71	971-20		739		

Pos	Part Number	Description	Remark	Qty	Model
10	281 957 897 C	flat connector housing for single wiring:	8 pin natural 000 979 133 000 979 133 A 000 979 225 000 979 225 A	X X X X	1,0 1,0 2,5 2,5
11	281 957 897 E	flat connector housing for single wiring:	8 pin black 000 979 133 000 979 133 A 000 979 225 000 979 225 A	X X X X	1,0 1,0 2,5 2,5
12	411 963 367	flat contact housing for single wiring:	8 pin black 000 979 105 000 979 106 000 979 107 000 979 204 000 979 402	X X X X X	1,0 1,0 1,0 2,5 6,0
13	321 971 519 A	ground connector	6,3	X	
14	893 971 832	flat connector housing for single wiring:	8 pin blue 000 979 104 000 979 203 000 979 409	X X X	1,0 2,5 6,0
15	357 971 968	flat contact housing with contact locking mechanism for single wiring:	8 pin yellow 000 979 135 000 979 227 000 979 407	X X X	1,0 2,5 6,0
16	357 971 968 A	flat contact housing with contact locking mechanism for single wiring:	8 pin yellow 000 979 135 000 979 227 000 979 407	X X X	1,0 2,5 6,0
17	447 971 971	flat contact housing	8 pin natural	X	
18	811 971 971	flat contact housing for single wiring:	8 pin black 000 979 135 000 979 227 000 979 407	X X X	1,0 2,5 6,0
19	--- --- ---	no longer available		X	
20	811 971 971 A	flat contact housing for single wiring:	8 pin black 000 979 105 000 979 106	X X	1,0 1,0



ETKA

Model	Year	MG	SG	Illustration	Restrictions	UPD	9:14	12.02.2009
EL	2008	9	71	971-20		739		

Pos	Part Number	Description	Remark	Qty	Model
21	8D0 971 975	flat contact housing	8 pin black/violet	X	
		for single wiring:	000 979 135	X	1,0
			000 979 227	X	2,5
			000 979 407	X	6,0
(21)	6R0 971 975	flat contact housing rework if necessary	8 pin black	1	
		for single wiring:	000 979 027	X	0,5
			000 979 027 C	X	0,5
			000 979 152	X	1,0
			000 979 152 C	X	1,0
			000 979 243	X	2,5
			000 979 243 C	X	2,5
			000 979 308	X	4,0
			000 979 308 C	X	4,0
22	113 971 998 B	spring contact housing	8 pin natural	X	
		for single wiring:	000 979 204	X	1,0
23	--- --- ---	no longer available	8 pin natural	X	
24	321 971 999 A	flat contact housing	8 pin black	X	
		for single wiring:	000 979 105	X	1,0
			000 979 106	X	1,0
			000 979 107	X	1,0
			000 979 204	X	2,5
			000 979 402	X	6,0
25	867 972 505	flat contact housing	8 pin black	X	
		for single wiring:	000 979 107	X	1,0
			000 979 204	X	2,5
			000 979 402	X	6,0
26	171 972 507	flat contact housing	8 pin natural	X	
		for single wiring:	000 979 133	X	1,0
			000 979 133 A	X	1,0
			000 979 225	X	2,5
			000 979 225 A	X	2,5
27	1H0 972 708	flat contact housing	8 pin black	X	
		for single wiring:	000 979 133	X	1,0
			000 979 133 A	X	1,0
			000 979 225	X	2,5
			000 979 225 A	X	2,5
(27)	1J0 972 708	flat contact housing	8 pin black	X	
		for single wiring:	000 979 133	X	1,0
			000 979 133 A	X	1,0
			000 979 133 AB	X	1,0
			000 979 225	X	2,5
			000 979 225 A	X	2,5



ETKA

Model	Year	MG	SG	Illustration	Restrictions	UPD	9:14	12.02.2009
EL	2008	9	71	971-20		739		

Pos	Part Number	Description	Remark	Qty	Model
28	--- --- ---	no longer available			
29	443 972 961 B	flat contact housing	8 pin black	X	
		for single wiring:	000 979 135	X	1,0
			000 979 227	X	2,5
			000 979 407	X	6,0
30	443 972 973	flat contact housing	8 pin red	X	
		for single wiring:	000 979 135	X	1,0
			000 979 227	X	2,5
			000 979 407	X	6,0
31	443 972 974	flat contact housing with retainer guide	8 pin brown	X	
		for single wiring:	000 979 135	X	1,0
			000 979 227	X	2,5
			000 979 407	X	6,0
32	443 972 994	flat contact housing	8 pin black	X	
		for single wiring:	000 979 135	X	1,0
			000 979 227	X	2,5
			000 979 407	X	6,0
35	191 972 999 A	flat contact housing	8 pin black	X	
		for single wiring:	000 979 135	X	1,0
			000 979 227	X	2,5
			000 979 407	X	6,0
36	1H0 972 724	flat contact housing	8 pin black	X	
		for single wiring:	000 979 133	X	1,0
			000 979 133 A	X	1,0
			000 979 225	X	2,5
			000 979 225 A	X	2,5