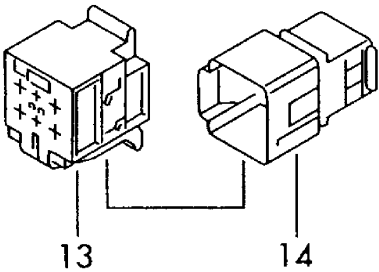
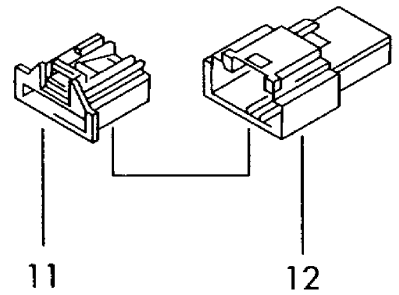
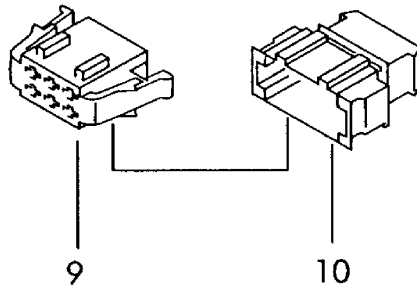
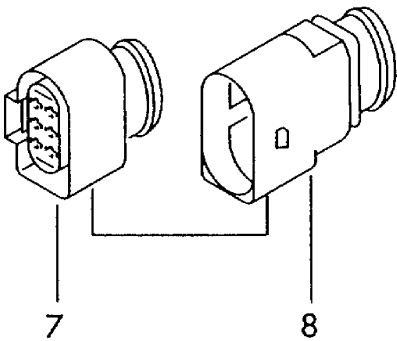
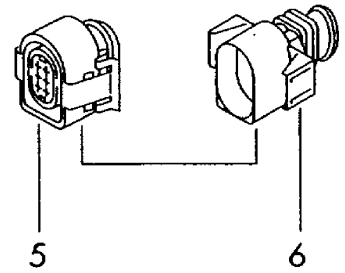
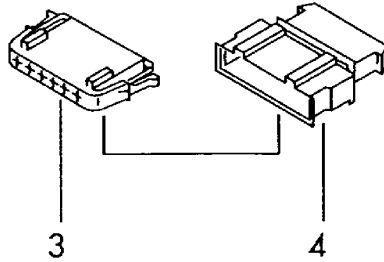
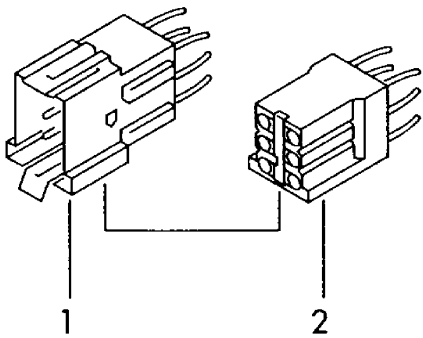




ETKA

Model	Year	MG	SG	Illustration	Restrictions	UPD	9:13	12.02.2009
EL	2008	9	71	971-01		739		





ETKA

Model	Year	MG	SG	Illustration	Restrictions	UPD	9:13	12.02.2009
EL	2008	9	71	971-01		739		

Pos	Part Number	Description	Remark	Qty	Model
1	2TA 973 106	plug housing round connector housing matching contact housing:	6 pin 6 pin black 2TA 973 116	X	
2	2TA 973 116	cylindrical connector with retaining lug matching contact housing:	6 pin black 2TA 973 106	X	
3	535 972 706	flat contact housing for single wiring: matching contact housing:	6 pin black 000 979 131 000 979 131 A 535 972 716	X X	1,0 1,0
4	535 972 716	flat contact housing for single wiring: matching contact housing:	6 pin black 000 979 132 000 979 132 A 535 972 706	X X	1,0 1,0
5	3A0 973 713	flat contact housing for single wiring: matching contact housing:	6 pin black 000 979 131 000 979 131 A 3A0 973 813	X X	1,0 1,0
6	3A0 973 813	flat contact housing for single wiring: matching contact housing:	6 pin black 000 979 132 000 979 132 A 3A0 973 713	X X	1,0 1,0
7	1J0 973 733	flat contact housing for single wiring: matching contact housing:	6 pin black 000 979 021 000 979 021 A 000 979 133 000 979 133 A 000 979 225 000 979 225 A 1J0 973 833	X X X X X X	0,5 0,5 1,0 1,0 2,5 2,5
7	1J0 973 733 A	flat contact housing for single wiring: matching contact housing:	6 pin brown 000 979 021 000 979 021 A 000 979 133 000 979 133 A 000 979 225 000 979 225 A 1J0 973 833	X X X X X X	0,5 0,5 1,0 1,0 2,5 2,5



ETKA

Model	Year	MG	SG	Illustration	Restrictions	UPD	9:13	12.02.2009
EL	2008	9	71	971-01		739		

Pos	Part Number	Description	Remark	Qty	Model
(7)	1J0 973 713	flat contact housing	6 pin black	1	
			000 979 019	X	0,35
		for single wiring:	000 979 019 A	X	0,35
		matching contact housing:	000 979 131	X	1,0
			000 979 131 A	X	1,0
			3B0 973 813		
8	1J0 973 833	flat contact housing	6 pin black	X	
		for single wiring:	000 979 022	X	0,5
			000 979 022 A	X	0,5
			000 979 134	X	1,0
			000 979 134 A	X	1,0
			000 979 226	X	2,5
			000 979 226 A	X	2.5
		matching contact housing:	1J0 973 733		
(8)	3B0 973 813	flat connector housing with contact locking mechanism	6 pin black	1	
		for single wiring:	000 979 132	X	
		matching contact housing:	000 979 132 A	X	
			1J0 973 713		
(9)	6X0 972 623	flat contact housing	6 pin black	X	
		for single wiring:	000 979 135	X	1,0
			000 979 227	X	2,5
			000 979 306	X	4,0
			000 979 407	X	6,0
		matching contact housing:	191 972 783		
9	8E0 972 773	flat contact housing	6 pin black	1	
		for single wiring:	000 979 135	X	1,0
			000 979 227	X	2,5
			000 979 306	X	4,0
			000 979 407	X	6,0
		matching contact housing:	191 972 783		
10	191 972 783	flat contact housing	6 pin black	X	
		for single wiring:	000 979 130	X	1,0
			000 979 220	X	2,5
			000 979 302	X	4,0
		matching contact housing:	8E0 972 773		
11	6Q0 972 706	flat contact housing with contact locking mechanism	6 pin blue	1	
		for single wiring:	000 979 009	X	0,5
			000 979 009 A	X	0,5
		matching contact housing:	6Q0 972 716		
(11)	6Q0 972 706 A	flat contact housing with contact locking mechanism	6 pin brown	1	
		for single wiring:	000 979 009	X	0,5
			000 979 009 A	X	0,5
		matching contact housing:	6Q0 972 716 A		



ETKA

Model	Year	MG	SG	Illustration	Restrictions	UPD	9:13	12.02.2009
EL	2008	9	71	971-01		739		

Pos	Part Number	Description	Remark	Qty	Model
(11)	6Q0 972 706 B	flat contact housing with contact locking mechanism for single wiring:	6 pin white 000 979 009 000 979 009 A	1 X X	0,5 0,5
		matching contact housing:	6Q0 972 716 B		
12	6Q0 972 716	flat contact housing with contact locking mechanism for single wiring:	6 pin blue 000 979 012 000 979 012 A	1 X X	0,5 0,5
		matching contact housing:	6Q0 972 706		
(12)	6Q0 972 716 A	flat contact housing with contact locking mechanism for single wiring:	6 pin brown 000 979 012 000 979 012 A	1 X X	0,5 0,5
		matching contact housing:	6Q0 972 706 A		
(12)	6Q0 972 716 B	flat contact housing with contact locking mechanism for single wiring:	6 pin white 000 979 012 000 979 012 A	1 X X	0,5 0,5
		matching contact housing:	6Q0 972 706 B		
13	1J0 937 706	flat contact housing with contact locking mechanism for single wiring:	6 pin black 000 979 131 000 979 133 000 979 133 A 000 979 225 000 979 225 A	1 X X X X X	1,0 1,0 1,0 2,5 2,5
		matching contact housing:	1J0 937 726		
14	1J0 937 726	flat contact housing with contact locking mechanism for single wiring:	6 pin black 000 979 132 000 979 134 000 979 226	1 X X X	1,0 1,0 2,5
		matching contact housing:	1J0 937 706		