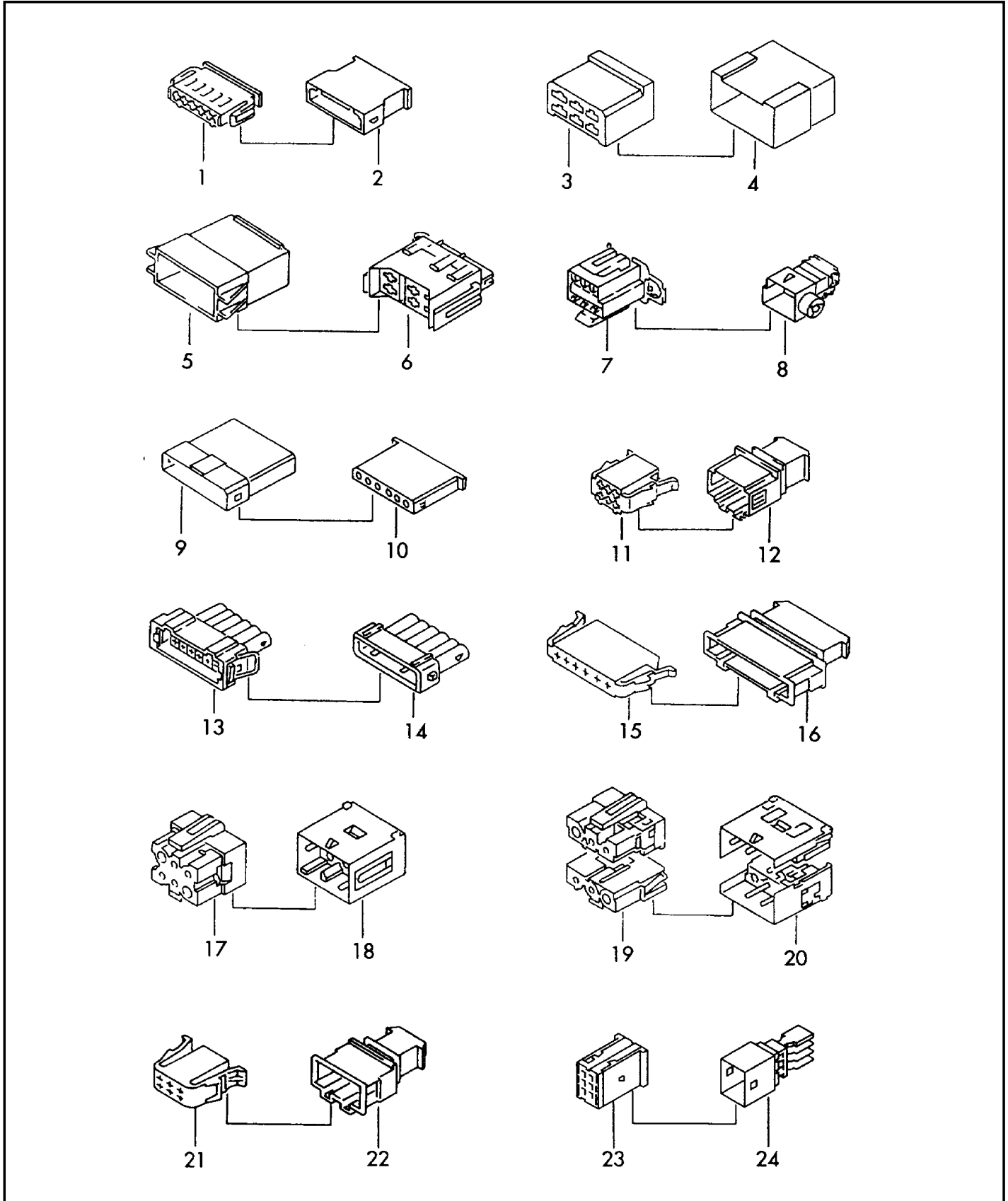




ETKA

| Model | Year | MG | SG | Illustration | Restrictions | UPD | 9:13 | 12.02.2009 |
|-------|------|----|----|--------------|--------------|-----|------|------------|
| EL | 2008 | 9 | 71 | 971-00 | | 739 | | |





ETKA

| | | | | | | | | |
|-------|------|----|----|--------------|--------------|-----|------|------------|
| Model | Year | MG | SG | Illustration | Restrictions | UPD | 9:13 | 12.02.2009 |
| EL | 2008 | 9 | 71 | 971-00 | | 739 | | |

| Pos | Part Number | Description | Remark | Qty | Model |
|-----|---------------|--|---|-----------------------|--------------------------|
| 1 | 893 971 636 | plug housing flat contact housing for single wiring: | 6 pin 6 pin black 000 979 133 000 979 133 A 000 979 225 000 979 225 A | X X X X X | 1,0 1,0 2,5 2,5 |
| | | matching contact housing: | 893 971 996 | X | |
| 2 | 893 971 996 | flat connector housing for single wiring: | 6 pin black 000 979 103 000 979 233 | X X X | 1,0 2,5 |
| | | matching contact housing: | 893 971 636 | X | |
| 3 | 803 971 831 | flat contact housing for single wiring: | 6 pin natural 000 979 107 000 979 204 000 979 402 | X X X | 1,0 2,5 6,0 |
| | | matching contact housing: | 803 971 833 A | X | |
| 4 | 803 971 833 A | flat connector housing for single wiring: | 6 pin black 000 979 104 000 979 203 000 979 409 | X X X | 1,0 2,5 6,0 |
| | | matching contact housing: | 803 971 831 | X | |
| 5 | 893 971 831 A | flat connector housing for single wiring: | 6 pin brown 000 979 104 000 979 203 000 979 409 | X X X | 1,0 2,5 6,0 |
| | | matching contact housing: | 446 972 996 | X | |
| 6 | 443 972 996 | flat contact housing for single wiring: | 6 pin black 000 979 135 000 979 227 000 979 407 | X X X | 1,0 2,5 6,0 |
| | | matching contact housing: | 893 971 831 A | X | |
| 7 | 893 971 833 | flat contact housing for single wiring: | 6 pin black 000 979 133 000 979 133 A 000 979 225 000 979 225 A | X X X X | 1,0 1,0 2,5 2,5 |
| | | matching contact housing: | 853 971 834 | X | |
| 8 | 853 971 834 | flat connector housing for single wiring: | 6 pin black 000 979 103 000 979 233 | X X | 1,0 2,5 |
| | | matching contact housing: | 893 971 833 | X | |



ETKA

| | | | | | | | | |
|-------|------|----|----|--------------|--------------|-----|------|------------|
| Model | Year | MG | SG | Illustration | Restrictions | UPD | 9:13 | 12.02.2009 |
| EL | 2008 | 9 | 71 | 971-00 | | 739 | | |

| Pos | Part Number | Description | Remark | Qty | Model |
|-----|---------------|---|---|-----------------------|--------------------------|
| 9 | 171 971 998 E | round connector housing for single wiring: matching contact housing: | 6 pin natural 000 979 109 000 979 209 171 971 999 E | X X X | 1,0 2,5 |
| 10 | 171 971 999 E | rd. connector sleeve housing for single wiring: matching contact housing: | 6 pin natural 000 979 108 000 979 208 171 971 998 E | X X X | 1,0 2,5 |
| 11 | 191 972 723 | flat contact housing for single wiring: matching contact housing: | 6 pin black 000 979 133 000 979 133 A 000 979 225 000 979 225 A 191 972 733 | X X X X X | 1,0 1,0 2,5 2,5 |
| 12 | 191 972 733 | flat contact housing for single wiring: matching contact housing: | 6 pin black 000 979 129 000 979 219 191 972 723 | X X X | 1,0 2,5 |
| 13 | 357 972 756 | flat contact housing for single wiring: matching contact housing: | 6 pin black 000 979 133 000 979 133 A 000 979 225 000 979 225 A 357 972 766 | X X X X X | 1,0 1,0 2,5 2,5 |
| 14 | 357 972 766 | flat connector housing for single wiring: matching contact housing: | 6 pin black 000 979 129 000 979 219 357 972 756 | X X X | 1,0 2,5 |
| 15 | 1J0 972 706 | flat contact housing for single wiring: matching contact housing: | 6 pin black 000 979 133 000 979 133 A 000 979 225 000 979 225 A 191 972 716 | X X X X X | 1,0 1,0 2,5 2,5 |
| 16 | 191 972 716 | flat connector housing for single wiring: matching contact housing: | 6 pin black 000 979 129 000 979 219 1J0 972 706 | X X X | 1,0 2,5 |



ETKA

| | | | | | | | | |
|-------|------|----|----|--------------|--------------|-----|------|------------|
| Model | Year | MG | SG | Illustration | Restrictions | UPD | 9:13 | 12.02.2009 |
| EL | 2008 | 9 | 71 | 971-00 | | 739 | | |

| Pos | Part Number | Description | Remark | Qty | Model |
|------|---------------|--|----------------------|-----|-------|
| 17 | 4A0 972 986 | rd. connector sleeve housing | 6 pin black/green | X | |
| | | for single wiring: | 000 979 117 | X | 1,0 |
| | | | 000 979 120 | X | 1,0 |
| | | | 000 979 213 | X | 2,5 |
| | | | 000 979 214 | X | 2,5 |
| | | matching contact housing: | 4A0 972 985 | | |
| (17) | 4F0 937 731 | flat contact housing with contact locking mechanism | 6 pin black | 1 | |
| | | also to be used for: | green | | |
| | | | violet | | |
| | | for single wiring: | 000 979 026 | X | 0,5 |
| | | | 000 979 026 A | X | 0,5 |
| | | | 000 979 027 | X | 0,5 |
| | | | 000 979 027 C | X | 0,5 |
| | | | 000 979 151 | X | 1,0 |
| | | | 000 979 151 A | X | 1,0 |
| | | | 000 979 152 | X | 1,0 |
| | | | 000 979 152 C | X | 1,0 |
| | | | 000 979 242 | X | 2,5 |
| | | | 000 979 242 A | X | 2,5 |
| | | | 000 979 243 | X | 2,5 |
| | | | 000 979 308 | X | 4,0 |
| | | matching contact housing: | 4F0 937 741 | | |
| | | matching contact housing: | 4F0 937 741 F | | |
| | | matching contact housing: | 4F0 937 741 K | | |
| (17) | 4F0 937 731 A | flat contact housing with contact locking mechanism | 6 pin brown | 1 | |
| | | also to be used for: | grey | | |
| | | | light-green | | |
| | | matching contact housing: | 4F0 937 741 A | | |
| | | matching contact housing: | 4F0 937 741 G | | |
| | | matching contact housing: | 4F0 937 741 L | | |
| | | for single wiring: | 000 979 026 | X | 0,5 |
| | | | 000 979 026 A | X | 0,5 |
| | | | 000 979 027 | X | 0,5 |
| | | | 000 979 027 C | X | 0,5 |
| | | | 000 979 151 | X | 1,0 |
| | | | 000 979 151 A | X | 1,0 |
| | | | 000 979 152 | X | 1,0 |
| | | | 000 979 152 C | X | 1,0 |
| | | | 000 979 242 | X | 2,5 |
| | | | 000 979 242 A | X | 2,5 |
| | | | 000 979 243 | X | 2,5 |
| | | | 000 979 308 | X | 4,0 |



ETKA

| | | | | | | | | |
|-------|------|----|----|--------------|--------------|-----|------|------------|
| Model | Year | MG | SG | Illustration | Restrictions | UPD | 9:13 | 12.02.2009 |
| EL | 2008 | 9 | 71 | 971-00 | | 739 | | |

| Pos | Part Number | Description | Remark | Qty | Model |
|------|-------------|---------------------------|----------------|-----|-------|
| (24) | 8E0 971 834 | flat contact housing | 6 pin black | X | |
| | | for single wiring: | 000 979 012 | X | 0,5 |
| | | matching contact housing: | 000 979 012 A | X | 0,5 |
| | | | 8E0 971 833 | | |