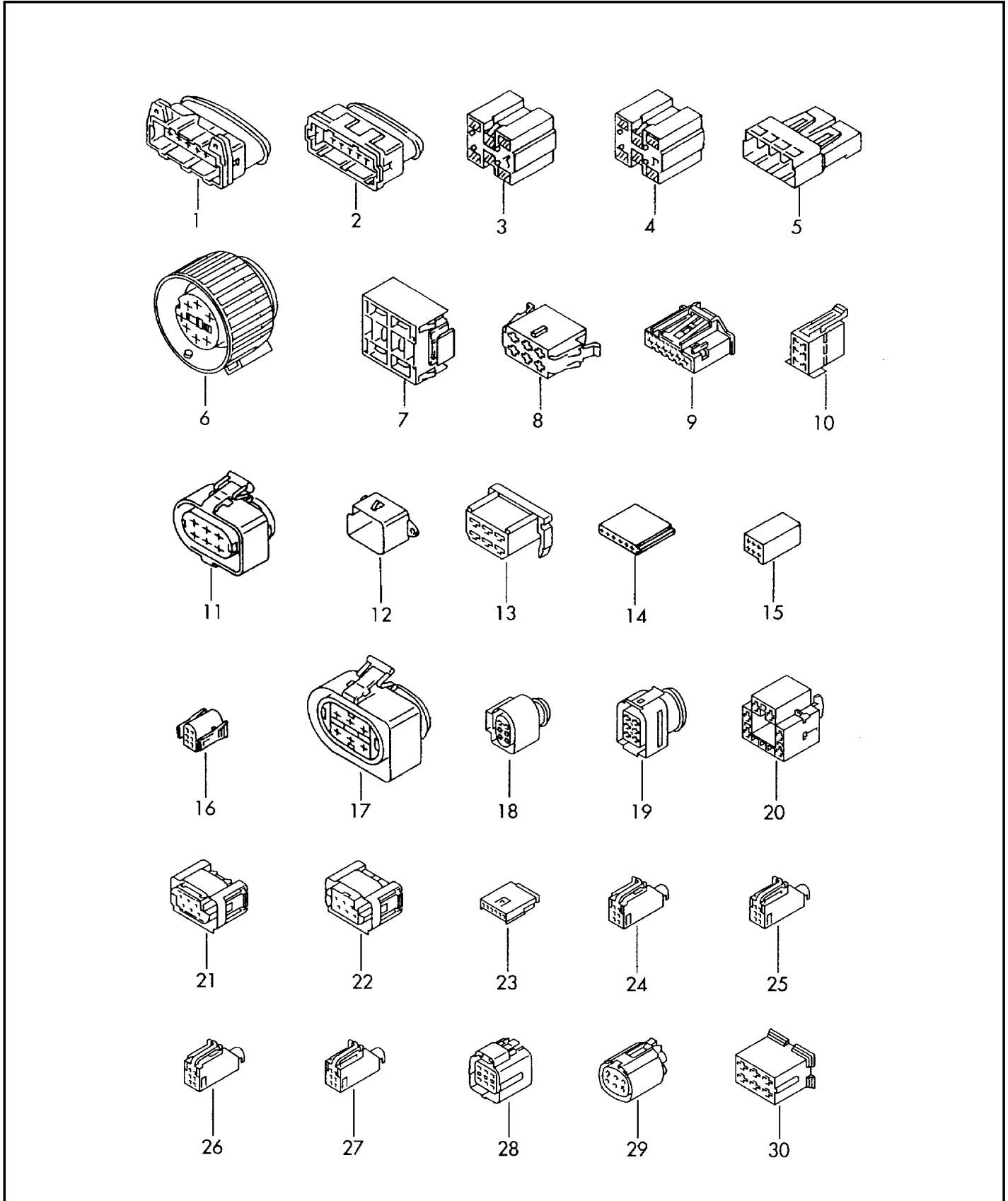




ETKA

Model	Year	MG	SG	Illustration	Restrictions	UPD	9:12	12.02.2009
EL	2008	9	71	970-91		739		





ETKA

Model	Year	MG	SG	Illustration	Restrictions	UPD	9:12	12.02.2009
EL	2008	9	71	970-91		739		

Pos	Part Number	Description	Remark	Qty	Model
1	4A0 906 236	plug housing flat contact housing for single wiring:	6 pin black 000 979 133 000 979 133 A 000 979 225 000 979 225 A	X X X X X	1,0 1,0 2,5 2,5
2	025 906 238 B	flat contact housing for single wiring:	6 pin black 000 979 133 000 979 133 A 000 979 225 000 979 225 A	X X X X X	1,0 1,0 2,5 2,5
3	701 927 997	flat contact housing for single wiring:	6 pin red 000 979 135 000 979 227 000 979 407	X X X X	1,0 2,5 6,0
4	701 941 997 A	flat contact housing for single wiring:	6 pin brown 000 979 135 000 979 227 000 979 407	X X X X	1,0 2,5 6,0
5	357 937 541	cable connector	6 pin red	X	
6	070 973 121	flat contact housing for single wiring:	6 pin black 000 979 245	1 X	2,5
(6)	070 973 121 A	flat contact housing for single wiring:	6 pin black 000 979 245	1 X	2,5
7	447 937 520	junction box	6 pin black	X	
8	1H0 972 773	flat contact housing for single wiring:	6 pin black 000 979 135 000 979 227 000 979 407	X X X X	1,0 2,5 6,0
9	4F0 972 926	flat contact housing for single wiring:	6 pin black 000 979 025 000 979 025 A 000 979 025 C 000 979 150 000 979 150 A 000 979 150 C	1 X X X X X X	0,5 0,5 0,5 1,0 1,0 1,0



ETKA

Model	Year	MG	SG	Illustration	Restrictions	UPD	9:12	12.02.2009
EL	2008	9	71	970-91		739		

Pos	Part Number	Description	Remark	Qty	Model
10	2D0 971 989 BM	flat contact housing for single wiring:	6 pin black 000 979 133 000 979 133 A 000 979 225 000 979 225 A	X X X X	1,0 1,0 2,5 2,5
11	1H0 973 763	flat contact housing for single wiring:	6 pin black 000 979 135 000 979 227 000 979 407	X X X	1,0 2,5 6,0
12	447 919 216 BD	flat connector housing	6 pin black	X	
13	2D0 971 989 BS	flat connector housing	6 pin natural	X	
14	3A0 972 706 H	flat contact housing for single wiring:	6 pin black 000 979 019 000 979 019 A 000 979 131 000 979 131 A	X X X X	0,35 0,35 1,0 1,0
15	3A0 972 706 J	flat contact housing for single wiring:	6 pin black 000 979 019 000 979 019 A 000 979 131 000 979 131 A	X X X X	0,35 0,35 1,0 1,0
16	3A0 973 606	flat contact housing for single wiring:	6 pin black 000 979 002	X X	0,5
17	1H0 973 763	flat contact housing for single wiring:	6 pin black 000 979 135 000 979 227 000 979 407	X X X	1,0 2,5 6,0
18	5N1 973 206	flat contact housing throttle valve positioner for single wiring:	6 pin black 000 979 025 000 979 025 A 000 979 025 C 000 979 150 000 979 150 A 000 979 150 C	1 X X X X X X	0,5 0,5 0,5 1,0 1,0 1,0
(18)	6Q0 973 713 A	flat contact housing also to be used for: for single wiring:	6 pin black brown 000 979 019 000 979 019 A 000 979 131 000 979 131 A	1 X X X X	0,35 0,35 1,0 1,0



ETKA

Model	Year	MG	SG	Illustration	Restrictions	UPD	9:12	12.02.2009
EL	2008	9	71	970-91		739		

Pos	Part Number	Description	Remark	Qty	Model
(18)	6Q0 973 713 D	flat contact housing for single wiring:	6 pin black 000 979 019 000 979 019 A 000 979 131 000 979 131 A	1 X X X X	 0,35 0,35 1,0 1,0
19	3B0 959 384	flat contact housing with contact locking mechanism for single wiring:	6 pin black 000 979 133 000 979 133 A 000 979 135	X X X X	 1,0 1,0 1,0
20	7M0 953 631 A	flat contact housing for single wiring:	6 pin black 000 979 135 000 979 227 000 979 407	X X X X	 1,0 2,5 6,0
21	7M0 973 119	flat contact housing for single wiring:	6 pin black 000 979 009 000 979 009 A	X X X	CODE A 0,5 0,5
(21)	7M3 973 119	flat contact housing with contact locking mechanism for single wiring:	6 pin grey 000 979 009 000 979 009 A	1 X X	CODE B 0,5 0,5
22	4B0 972 571	flat contact housing with cap for single wiring:	6 pin black/violet 000 979 009 000 979 009 A	X X X	 0,5 0,5
(23)	4B0 971 978 B	flat connector housing for single wiring:	6 pin black 000 979 009 000 979 009 A	X X X	 0,5 0,5
(23)	4B0 971 978 C	flat connector housing for single wiring:	6 pin brown 000 979 018 000 979 018 A	X X X	 0,5 0,5
(24)	4B0 971 636	flat contact housing also to be used for: for single wiring:	6 pin black white 000 979 018 000 979 018 A	X X X X	 0,5 0,5
(24)	4B0 906 236	flat contact housing cable output: for single wiring:	6 pin black angled 000 979 018 000 979 018 A	X X X X	 0,5 0,5



ETKA

Model	Year	MG	SG	Illustration	Restrictions	UPD	9:12	12.02.2009
EL	2008	9	71	970-91		739		

Pos	Part Number	Description	Remark	Qty	Model
24	4D0 971 636	flat contact housing	6 pin black	X	
		also to be used for:	white		
		for single wiring:	000 979 009	X	0,5
			000 979 009 A	X	0,5
(25)	4B0 971 636 A	flat contact housing	6 pin brown	X	
		for single wiring:	000 979 018	X	0,5
			000 979 018 A	X	0,5
25	4D0 971 636 A	flat contact housing	6 pin brown	X	
		for single wiring:	000 979 009	X	0,5
			000 979 009 A	X	0,5
(26)	4B0 971 636 B	flat contact housing	6 pin red	X	
		for single wiring:	000 979 018	X	0,5
			000 979 018 A	X	0,5
26	4D0 971 636 B	flat contact housing	6 pin red	X	
		for single wiring:	000 979 009	X	0,5
			000 979 009 A	X	0,5
(27)	4B0 971 636 D	flat contact housing	6 pin blue	X	
		for single wiring:	000 979 018	X	0,5
			000 979 018 A	X	0,5
27	4D0 971 636 D	flat contact housing	6 pin blue	X	
		for single wiring:	000 979 009	X	0,5
			000 979 009 A	X	0,5
28	2TA 973 116 A	flat contact housing	6 pin black	X	
29	7M0 906 236	rd. connector sleeve housing	6 pin black	X	
		for single wiring:	000 979 146	X	1,0
			000 979 239	X	2,5
30	2D0 971 989 AQ	flat connector housing	6 pin black	X	
		for single wiring:	000 979 135	X	1,0
			000 979 227	X	2,5
			000 979 407	X	6,0