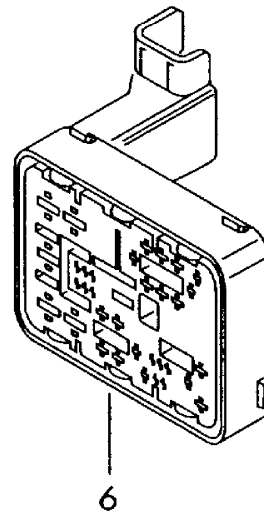
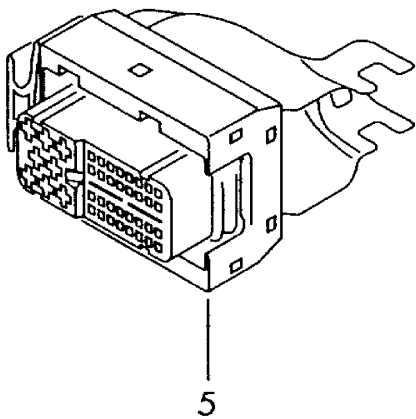
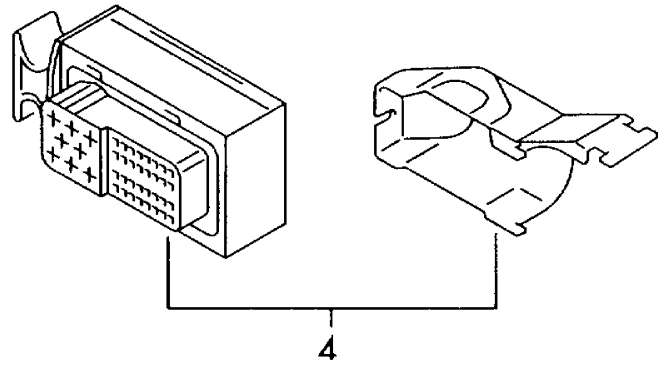
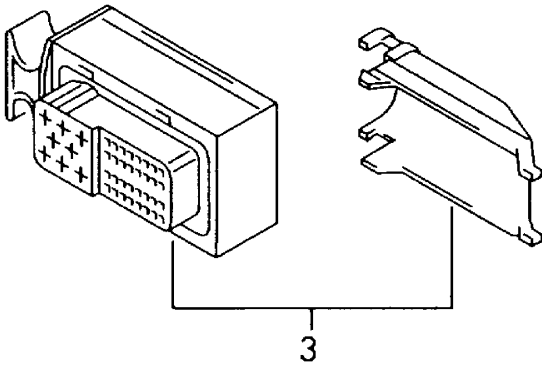
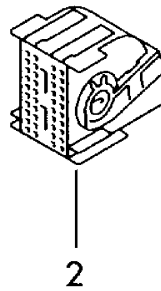
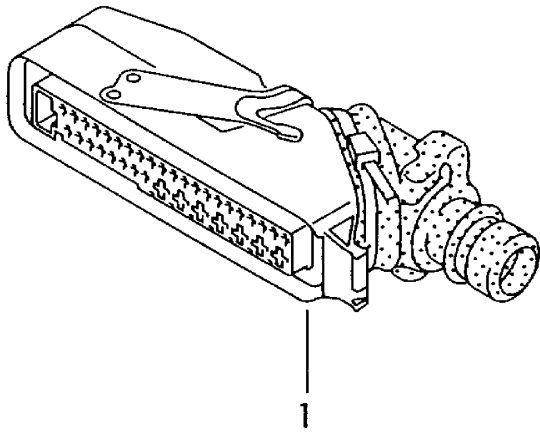




ETKA

Model	Year	MG	SG	Illustration	Restrictions	UPD	9:36	12.02.2009
EL	2008	9	71	972-75		739		





ETKA

Model	Year	MG	SG	Illustration	Restrictions	UPD	9:36	12.02.2009
EL	2008	9	71	972-75		739		

Pos	Part Number	Description	Remark	Qty	Model
1	7D0 907 495	plug housing	40 pin		
		flat contact housing	40 pin	X	
		for single wiring:	black		
			000 979 131	X	1,0
2	4B0 906 231	flat contact housing with cap	40 pin	X	
		for single wiring:	black/white		
			000 979 018	X	0,5
			000 979 018 A	X	0,5
3	038 906 379 B	flat contact housing	40 pin	X	
		for single wiring:	black		
			000 979 018	X	0,5
			000 979 133	X	1,0
			000 979 133 A	X	1,0
			000 979 225	X	2,5
4	6Q0 906 379	flat contact housing	40 pin	X	
		for single wiring:	black		
			000 979 018	X	0,5
			000 979 018 A	X	0,5
			000 979 133	X	1,0
5	4E0 972 479	flat contact housing control unit for engine	40 pin	1	
		for single wiring:	black/violet		
			000 979 021	X	0,5
			000 979 021 A	X	0,5
			000 979 028	X	0,5
			000 979 131 A	X	1,0
6	1K0 937 700 A	flat contact housing	40 pin	1	
		for single wiring:	black		
			000 979 025	X	0,5
			000 979 025 A	X	0,5
			000 979 025 C	X	0,5
			000 979 026	X	0,5
			000 979 026 A	X	0,5
			000 979 027	X	0,5
			000 979 027 C	X	0,5
			000 979 150	X	1,0
			000 979 150 A	X	1,0
			000 979 150 C	X	1,0
			000 979 151	X	1,0
			000 979 151 A	X	1,0
			000 979 152	X	1,0
			000 979 152 C	X	1,0
			000 979 242	X	2,5
	000 979 243	X	2,5		
	000 979 308	X	4,0		
	000 979 406	X	6,0		