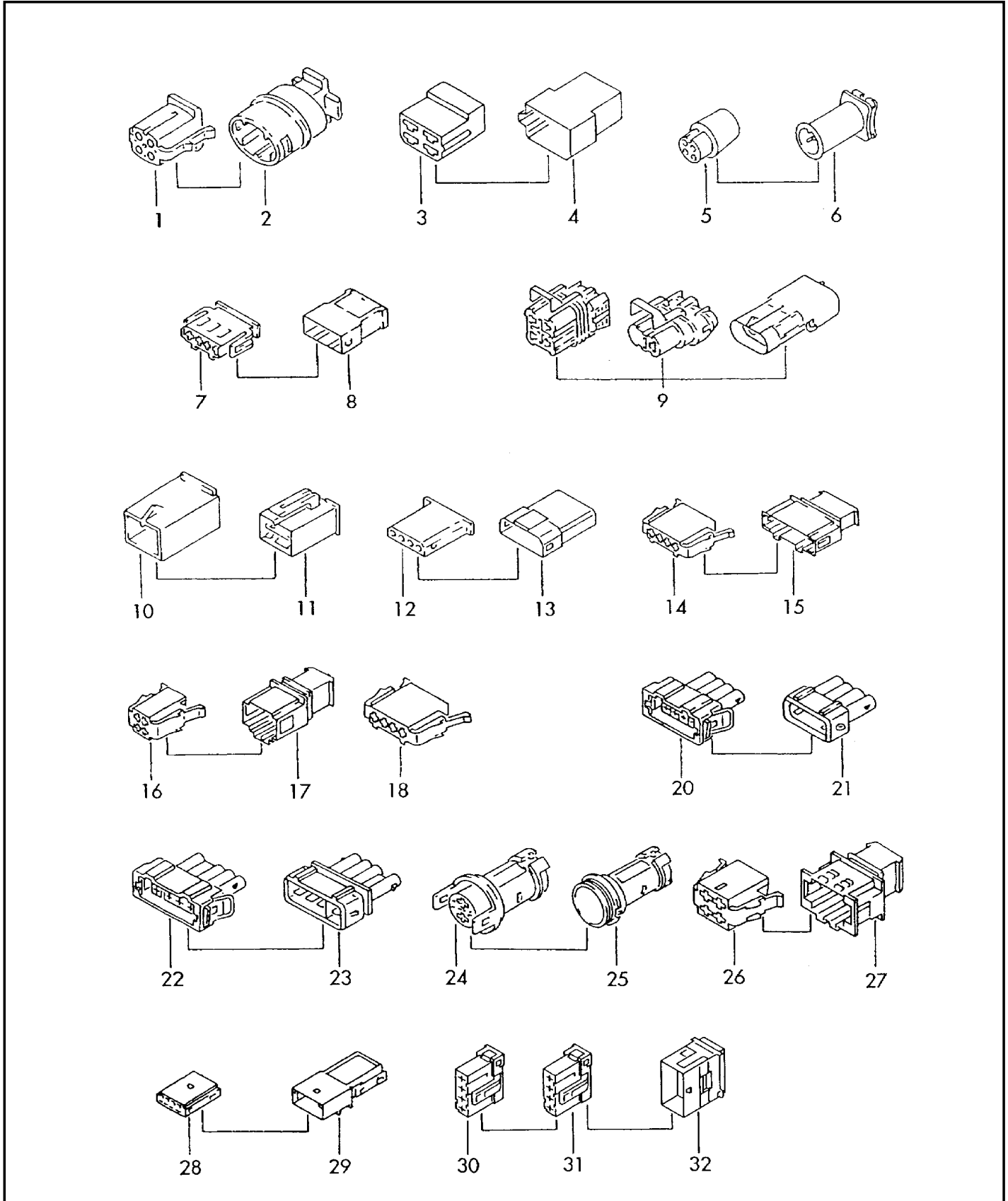




ETKA

Model	Year	MG	SG	Illustration	Restrictions	UPD	9:08	12.02.2009
EL	2008	9	71	970-60		739		





ETKA

Model	Year	MG	SG	Illustration	Restrictions	UPD	9:08	12.02.2009
EL	2008	9	71	970-60		739		

Pos	Part Number	Description	Remark	Qty	Model
1	191 905 897	plug housing rd. connector sleeve housing for single wiring:	4 pin 4 pin white 000 979 110 000 979 211 000 979 305	X X X X	1,0 2,5 4,0
(3)	2D0 971 989 CK	flat contact housing for single wiring: matching contact housing:	4 pin black 000 979 107 000 979 204 000 979 402 ZBA 971 838	X X X X	1,0 2,5 6,0
3	ZBA 971 838	flat contact housing for single wiring: matching contact housing:	4 pin natural 000 979 107 000 979 204 000 979 402 803 905 899	X X X X	1,0 2,5 6,0
4	803 905 899	flat connector housing for single wiring: matching contact housing:	4 pin clear glass 000 979 104 000 979 203 000 979 409 ZBA 971 838	X X X X	1,0 2,5 6,0
5	411 963 253	rd. connector sleeve housing for single wiring: matching contact housing:	4 pin white 000 979 108 000 979 208 411 963 025 A	X X X	1,0 2,5
6	411 963 025 A	round connector housing for single wiring: matching contact housing:	4 pin natural 000 979 109 000 979 209 411 963 253	X X X	1,0 2,5
7	893 971 634	flat contact housing for single wiring: matching contact housing: matching contact housing:	4 pin black 000 979 133 000 979 133 A 000 979 225 000 979 225 A 893 971 994 4B0 971 994	X X X X X X	1,0 1,0 2,5 2,5
8	893 971 994	flat connector housing for single wiring: matching contact housing:	4 pin black 000 979 103 000 979 233 893 971 634	X X X	1,0 2,5



ETKA

Model	Year	MG	SG	Illustration	Restrictions	UPD	9:08	12.02.2009
EL	2008	9	71	970-60		739		

Pos	Part Number	Description	Remark	Qty	Model
(8)	4B0 971 994	flat connector housing	4 pin black	X	
		for single wiring:	000 979 134	X	1,0
			000 979 134 A	X	1,0
			000 979 226	X	2,5
			000 979 226 A	X	2,5
		matching contact housing:	893 971 634		
9		see illustration:	970-20, POS.9		
10	443 971 969	flat connector housing	4 pin brown	X	
		for single wiring:	000 979 104	X	1,0
			000 979 203	X	2,5
			000 979 409	X	6,0
		matching contact housing:	893 971 974		
11	893 971 974	flat contact housing	4 pin brown	X	
		for single wiring:	000 979 135	X	1,0
			000 979 227	X	2,5
			000 979 407	X	6,0
		matching contact housing:	443 971 969		
12	171 971 999 C	rd. connector sleeve housing	4 pin natural	X	
		for single wiring:	000 979 108	X	1,0
			000 979 208	X	2,5
		matching contact housing:	171 971 998 C		
13	171 971 998 C	round connector housing	4 pin natural	X	
		for single wiring:	000 979 109	X	1,0
			000 979 209	X	2,5
		matching contact housing:	171 971 999 C		
14	1J0 972 704	flat contact housing	4 pin black	X	
		for single wiring:	000 979 021	X	0,5
			000 979 021 A	X	0,5
			000 979 133	X	1,0
			000 979 133 A	X	1,0
			000 979 225	X	2,5
			000 979 225 A	X	2,5
		matching contact housing:	191 972 714		
15	191 972 714	flat connector housing	4 pin black	X	
		for single wiring:	000 979 129	X	1,0
			000 979 219	X	2,5
		matching contact housing:	1J0 972 704		
16	1J0 972 722	flat contact housing	4 pin black	X	
		for single wiring:	000 979 133	X	1,0
			000 979 133 A	X	1,0
			000 979 225	X	2,5
			000 979 225 A	X	2,5
		matching contact housing:	1J0 972 732		



ETKA

Model	Year	MG	SG	Illustration	Restrictions	UPD	9:08	12.02.2009
EL	2008	9	71	970-60		739		

Pos	Part Number	Description	Remark	Qty	Model
17	1J0 972 732	flat contact housing for single wiring:	4 pin black 000 979 134 000 979 134 A 000 979 226 000 979 226 A	X X X X	1,0 1,0 2,5 2,5
		matching contact housing:	1J0 972 722	X	
18	1J0 972 754	flat contact housing for single wiring:	4 pin black 000 979 135 000 979 227	X X	1,0 2,5
		matching contact housing:	1J0 972 764	X	
20	357 972 754	flat contact housing for single wiring:	4 pin black 000 979 133 000 979 133 A 000 979 225 000 979 225 A	X X X X	1,0 1,0 2,5 2,5
		matching contact housing:	357 972 764	X	
21	357 972 764	flat connector housing for single wiring:	4 pin black 000 979 129 000 979 219	X X	1,0 2,5
		matching contact housing:	357 972 754	X	
22	357 972 754 J	flat contact housing for single wiring:	4 pin black 000 979 133 000 979 133 A 000 979 225 000 979 225 A	X X X X	1,0 1,0 2,5 2,5
		matching contact housing:	357 972 764 K	X	
23	357 972 764 K	flat connector housing for single wiring:	4 pin black 000 979 129 000 979 219	X X	1,0 2,5
		matching contact housing:	357 972 754 J	X	
24	813 972 929	flat contact housing with contact locking mechanism and grommet for single wiring:	4 pin black/violet 000 979 135 000 979 227 000 979 407	X X X	1,0 2,5 6,0
		matching contact housing:	813 972 930	X	
25	813 972 930	flat contact housing with contact locking mechanism and grommet for single wiring:	4 pin yellow/violet 000 979 104 000 979 203 000 979 409	X X X	1,0 2,5 6,0
		matching contact housing:	813 972 929	X	



ETKA

Model	Year	MG	SG	Illustration	Restrictions	UPD	9:08	12.02.2009
EL	2008	9	71	970-60		739		

Pos	Part Number	Description	Remark	Qty	Model
26	1J0 972 772	flat contact housing	4 pin black	X	
		for single wiring:	000 979 135	X	1,0
			000 979 227	X	2,5
		matching contact housing:	1J0 972 782		
(26)	191 972 772	flat contact housing	4 pin black	X	
		for single wiring:	000 979 135	X	1,0
			000 979 227	X	2,5
			000 979 407	X	6,0
		matching contact housing:	1J0 972 782		
27	1J0 972 782	flat contact housing	4 pin black	X	
		for single wiring:	000 979 136	X	1,0
			000 979 228	X	2,5
		matching contact housing:	1J0 972 772		
		matching contact housing:	191 972 772		
28	4D0 972 623	rd. connector sleeve housing	4 pin black	X	
		for single wiring:	000 979 018	X	0,5
			000 979 018 A	X	0,5
		matching contact housing:	4D0 972 643		
(28)	8E0 971 832	flat contact housing with contact locking mechanism	4 pin black	1	
		also to be used for:	red		
		for single wiring:	000 979 009	X	0,5
			000 979 009 A	X	0,5
		matching contact housing:	8E0 972 643		
29	4D0 972 643	round connector housing with contact lock	4 pin black	X	
		for single wiring:	000 979 017	X	0,5
		matching contact housing:	4D0 972 623		
(29)	8E0 972 643	flat contact housing with contact locking mechanism	4 pin black	1	
		for single wiring:	000 979 012	X	0,5
			000 979 012 A	X	0,5
		matching contact housing:	8E0 971 832		
30	3B0 937 713	flat contact housing with contact locking mechanism	4 pin black	X	
		use if required:	3B0 937 714	X	
		for single wiring:	000 979 019	X	0,35
			000 979 019 A	X	0,35
			000 979 131	X	1,0
			000 979 131 A	X	1,0
			000 979 133	X	1,0
			000 979 133 A	X	1,0
		matching contact housing:	3B0 937 741		



ETKA

Model	Year	MG	SG	Illustration	Restrictions	UPD	9:08	12.02.2009
EL	2008	9	71	970-60		739		

Pos	Part Number	Description	Remark	Qty	Model
31	3B0 937 714	flat contact housing with contact locking mechanism for single wiring:	4 pin black 000 979 019 000 979 019 A 000 979 131 000 979 131 A 000 979 133 000 979 133 A 3B0 937 741	X X X X X X X	0,35 0,35 1,0 1,0 1,0 1,0
(31)	3B0 937 714 A	flat contact housing with contact locking mechanism for single wiring:	4 pin brown 000 979 019 000 979 019 A 000 979 131 000 979 131 A 000 979 133 000 979 133 A	X X X X X X X	0,35 0,35 1,0 1,0 1,0 1,0
32	3B0 937 741	flat connector housing with contact locking mechanism for single wiring:	8 pin black 000 979 134 000 979 134 A 000 979 136 000 979 216 000 979 228 3B0 937 713 3B0 937 714	X X X X X X 1 1	1,0 1,0 1,0 2,5 2,5
		matching contact housing:			
		matching contact housing:			