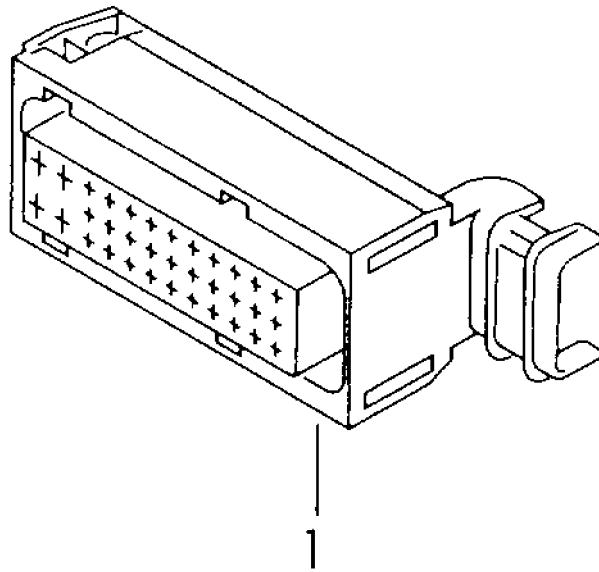




# ETKA

|       |      |    |    |              |              |     |      |            |
|-------|------|----|----|--------------|--------------|-----|------|------------|
| Model | Year | MG | SG | Illustration | Restrictions | UPD | 9:34 | 12.02.2009 |
| EL    | 2008 | 9  | 71 | 972-60       |              | 739 |      |            |





# ETKA

|       |      |    |    |              |              |     |      |            |
|-------|------|----|----|--------------|--------------|-----|------|------------|
| Model | Year | MG | SG | Illustration | Restrictions | UPD | 9:34 | 12.02.2009 |
| EL    | 2008 | 9  | 71 | 972-60       |              | 739 |      |            |

| Pos | Part Number | Description  | Remark  | Qty                             | Model                                  |
|-----|-------------|--|---|---------------------------------|--|
| 1   | 1J0 959 381 | plug housing<br>flat contact housing with<br>contact locking mechanism<br>for single wiring: | 34-pin<br>34-pin<br>black<br>000 979 131<br>000 979 131 A<br>000 979 133<br>000 979 133 A<br>000 979 225<br>000 979 225 A | X<br>X<br>X<br>X<br>X<br>X<br>X | 1,0<br>1,0<br>1,0<br>1,0<br>2,5<br>2,5 |