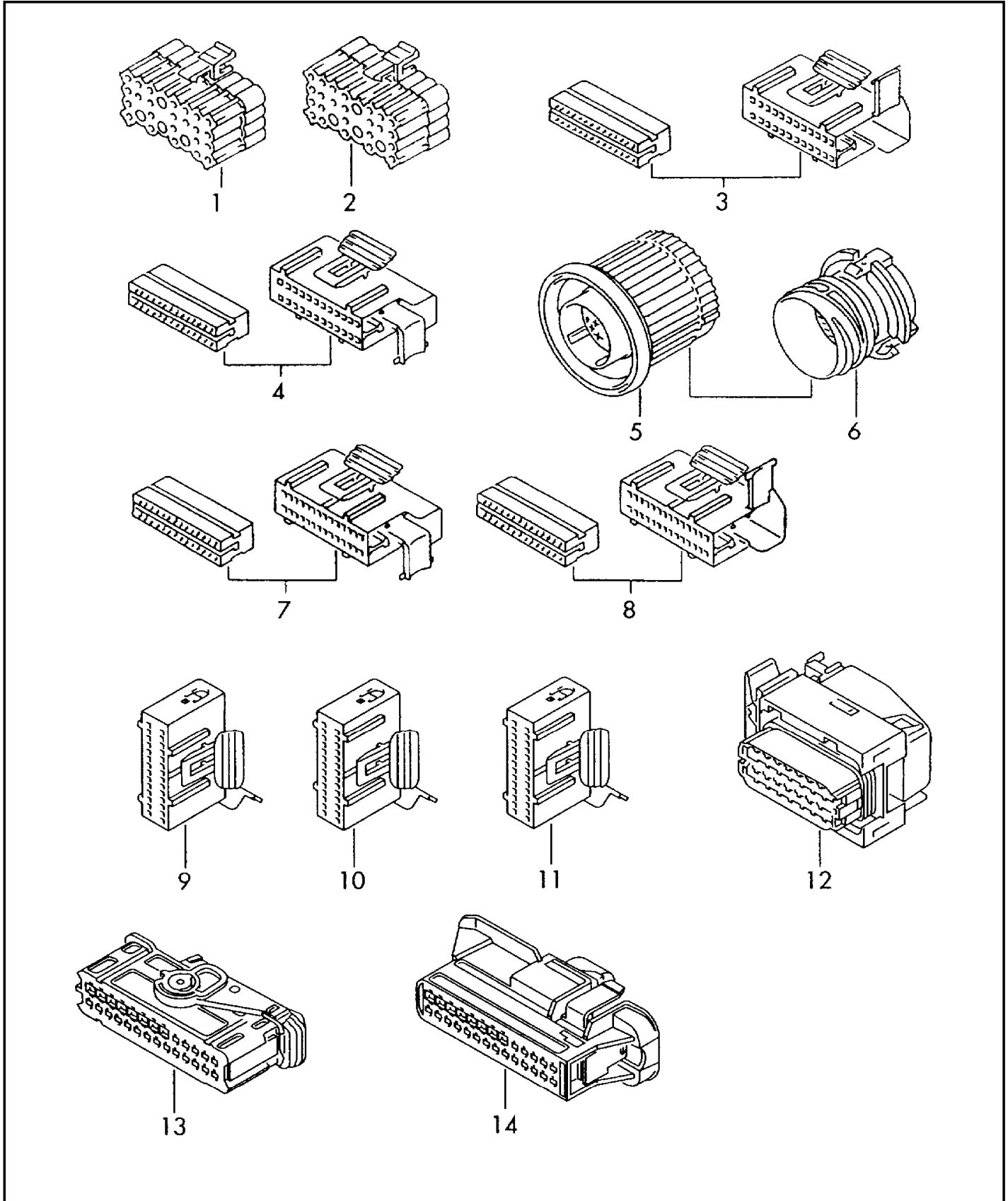




ETKA

Model	Year	MG	SG	Illustration	Restrictions	UPD	9:31	12.02.2009
EL	2008	9	71	972-40		739		





ETKA

Model	Year	MG	SG	Illustration	Restrictions	UPD	9:31	12.02.2009
EL	2008	9	71	972-40		739		

Pos	Part Number	Description	Remark	Qty	Model
1	171 971 971 L	plug housing rd. connector sleeve housing for single wiring:	28 pin 28 pin blue 000 979 108 000 979 110 000 979 208 000 979 211 000 979 305	X X X X X	1,0 1,0 2,5 2,5 4,0
2	171 971 971 M	rd. connector sleeve housing for single wiring:	28 pin dark red 000 979 108 000 979 110 000 979 208 000 979 211 000 979 305	X X X X X	1,0 1,0 2,5 2,5 4,0
3	--- --- --- .	discontinued / replacement:	191 972 530 B 357 972 531	X X	
(3)	191 972 530 B	handle recess	red	X	
(3)	357 972 531	contact carrier for single wiring:	28 pin natural 000 979 002	X X	0,5
4	--- --- --- .	discontinued / replacement:	357 972 530 A 357 972 531 for single wiring: 000 979 002	X X X	0,5
(4)	357 972 530 A	handle recess	white	X	
(4)	357 972 531	contact carrier for single wiring:	28 pin natural 000 979 002	X X	0,5
5	1H0 973 103	flat contact housing with gasket for single wiring:	28 pin black 000 979 131 000 979 131 A 000 979 133 000 979 133 A 000 979 225 000 979 225 A	X X X X X X	1,0 1,0 1,0 1,0 2,5 2,5
6	1H0 973 131	flat connector housing for single wiring:	28 pin black 000 979 132 000 979 132 A 000 979 129 000 979 219	X X X X	1,0 1,0 1,0 2,5
7	--- --- --- .	discontinued / replacement:	1H0 972 530 357 972 531	1 1	
(7)	1H0 972 530	handle recess also use:	red 357 972 531	1 1	



ETKA

Model	Year	MG	SG	Illustration	Restrictions	UPD	9:31	12.02.2009
EL	2008	9	71	972-40		739		

Pos	Part Number	Description	Remark	Qty	Model
(7)	357 972 531	contact carrier	28 pin natural	X	
		for single wiring:	000 979 002	X	0,5
8	535 972 529	flat contact housing	28 pin blue	X	
		for single wiring:	000 979 002	X	0,5
(9)	7D0 972 529	flat contact housing	28 pin white	X	
		for single wiring:	000 979 002	X	0,5
9	--- --- --- .	discontinued / replacement:	7M0 972 530 357 972 531	1	
(9)	7M0 972 530	handle recess	white	1	
		also use:	357 972 531	1	
(9)	357 972 531	contact carrier	28 pin white	1	
		for single wiring:	000 979 002	X	0,5
10	--- --- --- .	discontinued / replacement:	7M0 972 530 A 357 972 531	X	
(10)	7M0 972 530 A	handle recess	red	X	
(10)	357 972 531	contact carrier	28 pin natural	1	
		for single wiring:	000 979 002	X	
(11)	--- --- --- .	discontinued / replacement:	7M0 972 530 B 357 972 531	X X	
(11)	7M0 972 530 B	handle recess	blue	1	
		also use:	357 972 531	1	
(11)	357 972 531	contact carrier	28 pin natural	1	
		for single wiring:	000 979 002	X	
(11)	--- --- --- .	discontinued / replacement:	7M0 972 530 C 357 972 531	X X	
(11)	7M0 972 530 C	handle recess	blue	X	
(11)	357 972 531	contact carrier	28 pin natural	1	
		for single wiring:	000 979 002	X	
(11)	--- --- --- .	discontinued / replacement:	7M0 972 530 D 357 972 531	X X	
(11)	7M0 972 530 D	handle recess	white	X	
		use if required:	357 972 531	X	
(11)	357 972 531	contact carrier	28 pin natural	1	
		for single wiring:	000 979 002	X	0,5



ETKA

Model	Year	MG	SG	Illustration	Restrictions	UPD	9:31	12.02.2009
EL	2008	9	71	972-40		739		

Pos	Part Number	Description	Remark	Qty	Model
12	1J0 906 379 B	flat contact housing with gasket for single wiring:	28 pin black 000 979 131 000 979 131 A	X X X	1,0 1,0
13	1K0 937 702 C	flat contact housing with contact locking mechanism for single wiring:	28 pin black/orange 000 979 025 000 979 025 A 000 979 025 C 000 979 026 000 979 026 A 000 979 150 000 979 150 A 000 979 150 C 000 979 151 000 979 151 A 000 979 242 000 979 242 A	1 X X X X X X X X X X X X X	0,5 0,5 0,5 0,5 0,5 1,0 1,0 1,0 1,0 1,0 2,5 2,5
14	1K0 937 722 D	flat contact housing with contact locking mechanism for single wiring: counterpart to:	28 pin grey 000 979 132 000 979 132 A 000 979 134 000 979 134 A 000 979 226 1K0 937 702 C	1 X X X X X	1,0 1,0 2,5