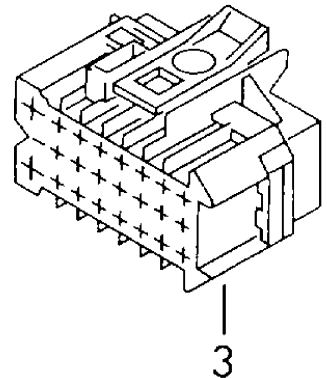
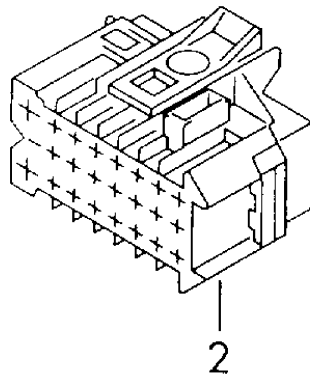
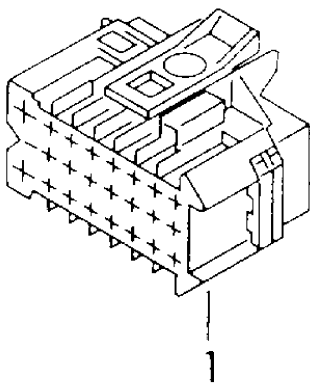




# ETKA

Model	Year	MG	SG	Illustration	Restrictions	UPD	9:29	12.02.2009
EL	2008	9	71	972-20		739		





# ETKA

Model	Year	MG	SG	Illustration	Restrictions	UPD	9:29	12.02.2009
EL	2008	9	71	972-20		739		

Pos	Part Number	Description	Remark	Qty	Model		
1	1J0 962 623	plug housing	23 pin				
		flat contact housing with contact locking mechanism for single wiring:	23 pin black	X			
			000 979 019	X	0,35		
			000 979 019 A	X	0,35		
			000 979 021	X	0,5		
			000 979 021 A	X	0,5		
			000 979 131	X	1,0		
			000 979 131 A	X	1,0		
			000 979 133	X	1,0		
			000 979 133 A	X	1,0		
			000 979 225	X	2,5		
			000 979 225 A	X	2,5		
		2	1J0 962 623 A	flat contact housing with contact locking mechanism for single wiring:	23 pin blue	X	
					000 979 019	X	0,35
	000 979 019 A			X	0,35		
	000 979 021			X	0,5		
	000 979 021 A			X	0,5		
	000 979 131			X	1,0		
	000 979 131 A			X	1,0		
	000 979 133			X	1,0		
	000 979 133 A			X	1,0		
	000 979 225			X	2,5		
	000 979 225 A			X	2,5		
3	1J0 962 623 B			flat contact housing with contact locking mechanism for single wiring:	23 pin green	X	
					000 979 019	X	0,35
					000 979 019 A	X	0,35
			000 979 021	X	0,5		
			000 979 021 A	X	0,5		
			000 979 131	X	1,0		
			000 979 131 A	X	1,0		
			000 979 133	X	1,0		
			000 979 133 A	X	1,0		
			000 979 225	X	2,5		
		000 979 225 A	X	2,5			
	3D0 972 923 A	flat contact housing with contact locking mechanism for single wiring:	23 pin brown	1			
			000 979 019	X	0,35		
			000 979 019 A	X	0,35		
			000 979 021	X	0,5		
			000 979 021 A	X	0,5		
			000 979 131	X	1,0		
			000 979 131 A	X	1,0		
			000 979 133	X	1,0		
			000 979 133 A	X	1,0		
		000 979 135	X	1,0			
	000 979 135 A	X	1,0				
	000 979 225	X	2,5				
	000 979 225 A	X	2,5				
	000 979 227	X	2,5				
	000 979 227 A	X	2,5				
	000 979 306	X	4,0				
	000 979 407	X	6,0				



# ETKA

Model	Year	MG	SG	Illustration	Restrictions	UPD	9:29	12.02.2009
EL	2008	9	71	972-20		739		

Pos	Part Number	Description	Remark	Qty	Model
	6Q0 972 923	flat contact housing with contact locking mechanism for single wiring:	23 pin black 000 979 019 000 979 019 A 000 979 021 000 979 021 A 000 979 131 000 979 131 A 000 979 133 000 979 133 A 000 979 135 000 979 135 A 000 979 225 000 979 225 A 000 979 227 000 979 227 A 000 979 306 000 979 407	1 X	0,35 0,35 0,5 0,5 1,0 1,0 1,0 1,0 1,0 1,0 2,5 2,5 2,5 2,5 4,0 4,0 6,0