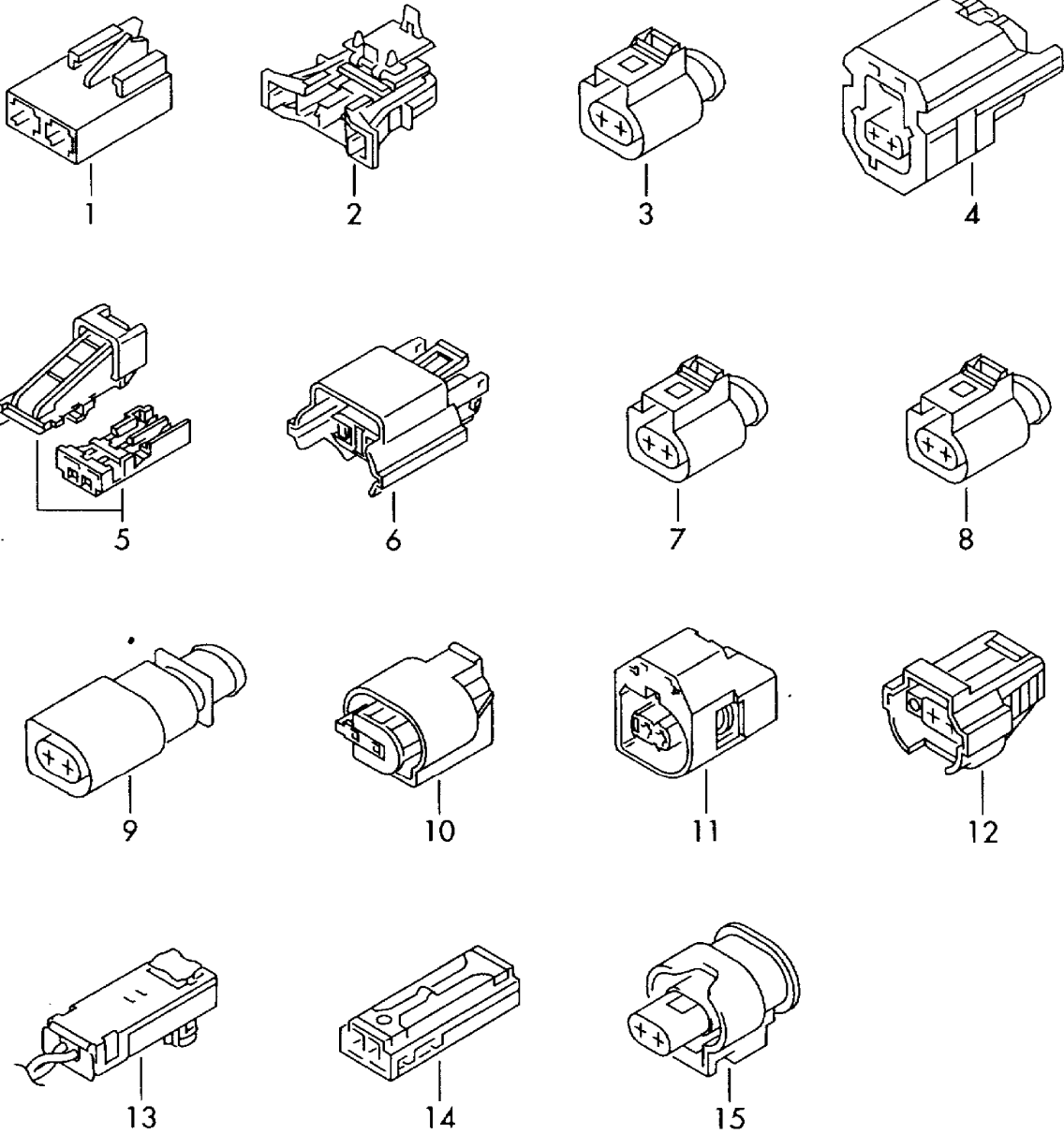




ETKA

Model	Year	MG	SG	Illustration	Restrictions	UPD	8:45	12.02.2009
EL	2007	9	71	970-12		739		





ETKA

Model	Year	MG	SG	Illustration	Restrictions	UPD	8:45	12.02.2009
EL	2007	9	71	970-12		739		

Pos	Part Number	Description	Remark	Qty	Model
1	4B0 937 530	plug housing fuse holder flat fuse 19/2x5 for single wiring:	2 pin 2 pin black 000 979 135 000 979 227 000 979 407	X X X	1,0 2,5 6,0
2	4B0 971 942	flat contact housing with contact locking mechanism for single wiring:	2 pin black 000 979 133 000 979 133 A	X X	1,0 1,0
3	4D0 971 992	flat connector housing with contact locking mechanism for single wiring:	2 pin black/violet 000 979 016 000 979 141 000 979 237	X X X	0,5 1,0 2,5
(3)	4D0 971 992 A	flat connector housing with contact locking mechanism for single wiring:	2 pin black/blue 000 979 016 000 979 141 000 979 237	X X X	0,5 1,0 2,5
(3)	4D0 971 992 B	flat connector housing with contact locking mechanism for single wiring:	2 pin black/orange 000 979 016 000 979 141 000 979 237	X X X	0,5 1,0 2,5
4	6Q0 972 623	flat contact housing with contact locking mechanism interlock for single wiring:	2 pin yellow black 000 979 019 000 979 019 A 000 979 131 000 979 131 A	X X X X	0,5 0,5 1,0 1,0
(4)	8K0 973 323	flat contact housing with contact locking mechanism interlock for single wiring:	2 pin yellow black 000 979 025 000 979 025 A 000 979 025 C 000 979 150 000 979 150 A 000 979 150 C	X X X X X X X	0,5 0,5 0,5 1,0 1,0 1,0
(4)	6Q0 972 623 A	flat contact housing with contact locking mechanism interlock for single wiring:	2 pin yellow red brown 000 979 019 000 979 019 A 000 979 131 000 979 131 A	X X X X	0,5 0,5 1,0 1,0



ETKA

Model	Year	MG	SG	Illustration	Restrictions	UPD	8:45	12.02.2009
EL	2007	9	71	970-12		739		

Pos	Part Number	Description	Remark	Qty	Model
(4)	8K0 973 323 A	flat contact housing with contact locking mechanism interlock for single wiring:	2 pin yellow red brown 000 979 025 000 979 025 A 000 979 025 C 000 979 150 000 979 150 A 000 979 150 C	1 X X X X X X	0,5 0,5 0,5 1,0 1,0 1,0
(4)	6Q0 972 623 B	flat contact housing with contact locking mechanism interlock for single wiring:	2 pin yellow red 000 979 019 000 979 019 A 000 979 131 000 979 131 A	1 X X X X	0,5 0,5 1,0 1,0
(4)	8K0 973 323 B	flat contact housing with contact locking mechanism interlock for single wiring:	2 pin yellow red 000 979 025 000 979 025 A 000 979 025 C 000 979 150 000 979 150 A 000 979 150 C	1 X X X X X X	0,5 0,5 0,5 1,0 1,0 1,0
(4)	6Q0 972 623 C	flat contact housing with contact locking mechanism interlock for single wiring:	2 pin yellow orange 000 979 019 000 979 019 A 000 979 131 000 979 131 A	1 X X X X	0,5 0,5 1,0 1,0
(4)	8K0 973 323 C	flat contact housing with contact locking mechanism interlock for single wiring:	2 pin yellow orange 000 979 025 000 979 025 A 000 979 025 C 000 979 150 000 979 150 A 000 979 150 C	1 X X X X X X	0,5 0,5 0,5 1,0 1,0 1,0
(4)	6Q0 972 623 D	flat contact housing with contact locking mechanism interlock for single wiring:	2 pin yellow blue 000 979 019 000 979 019 A 000 979 131 000 979 131 A	1 X X X X	0,5 0,5 1,0 1,0



ETKA

Model	Year	MG	SG	Illustration	Restrictions	UPD	8:45	12.02.2009
EL	2007	9	71	970-12		739		

Pos	Part Number	Description	Remark	Qty	Model
(4)	6Q0 972 623 J	flat contact housing with contact locking mechanism interlock for single wiring:	2 pin yellow dark green 000 979 019 000 979 019 A 000 979 131 000 979 131 A	1 X X X X	 0,5 0,5 1,0 1,0
(4)	8K0 973 323 J	flat contact housing with contact locking mechanism interlock for single wiring:	2 pin yellow dark green 000 979 025 000 979 025 A 000 979 025 C 000 979 150 000 979 150 A 000 979 150 C	1 X X X X X X	 0,5 0,5 0,5 1,0 1,0 1,0
(4)	6Q0 972 623 M	flat contact housing with contact locking mechanism interlock for single wiring:	2 pin yellow lilac 000 979 019 000 979 019 A 000 979 131 000 979 131 A	1 X X X X	 0,5 0,5 1,0 1,0
(4)	6Q0 972 623 N	flat contact housing with contact locking mechanism interlock for single wiring:	2 pin yellow yellow orange 000 979 019 000 979 019 A 000 979 131 000 979 131 A	1 X X X X	 0,5 0,5 1,0 1,0
(4)	6Q0 972 623 P	flat contact housing with contact locking mechanism interlock for single wiring:	2 pin yellow old white 000 979 019 000 979 019 A 000 979 131 000 979 131 A	1 X X X X	 0,5 0,5 1,0 1,0
(4)	6Q0 972 623 R	flat contact housing with contact locking mechanism interlock for single wiring:	2 pin yellow dark brown 000 979 019 000 979 019 A 000 979 131 000 979 131 A	1 X X X X	 0,5 0,5 1,0 1,0
(4)	8K0 973 323 R	flat contact housing with contact locking mechanism interlock for single wiring:	2 pin yellow dark brown 000 979 025 000 979 025 A 000 979 025 C 000 979 150 000 979 150 A 000 979 150 C	1 X X X X X X	 0,5 0,5 0,5 1,0 1,0 1,0



ETKA

Model	Year	MG	SG	Illustration	Restrictions	UPD	8:45	12.02.2009
EL	2007	9	71	970-12		739		

Pos	Part Number	Description	Remark	Qty	Model
(4)	6Q0 972 623 S	flat contact housing with contact locking mechanism interlock for single wiring:	2 pin yellow light green 000 979 019 000 979 019 A 000 979 131 000 979 131 A	1 X X X X	 0,5 0,5 1,0 1,0
(4)	8K0 973 323 S	flat contact housing with contact locking mechanism slide valve for single wiring:	2 pin yellow light green 000 979 025 000 979 025 A 000 979 025 C 000 979 150 000 979 150 A 000 979 150 C	X X X X X X X	 0,5 0,5 0,5 1,0 1,0 1,0
(4)	6Q0 972 623 T	flat contact housing with contact locking mechanism interlock for single wiring:	2 pin yellow violet 000 979 019 000 979 019 A 000 979 131 000 979 131 A	1 X X X X	 0,5 0,5 1,0 1,0
(4)	8K0 973 323 T	flat contact housing with contact locking mechanism interlock for single wiring:	2 pin yellow violet 000 979 025 000 979 025 A 000 979 025 C 000 979 150 000 979 150 A 000 979 150 C	1 X X X X X X	 0,5 0,5 0,5 1,0 1,0 1,0
5	4E0 972 623	flat contact housing with contact locking mechanism for single wiring:	2 pin black 000 979 012 000 979 012 A	X X X	 0,5 0,5
6	3D0 941 165 A	flat contact housing socket for bulb also use: for single wiring:	2 pin H8/H11 black 3D0 972 741 000 979 244	X X X	 2,5
(6)	7H0 941 165	flat contact housing with contact locking mechanism for single wiring:	2 pin black 000 979 244	1 X	 2,5
7	6X0 973 722 G	flat contact housing with contact locking mechanism also to be used for: for single wiring:	2 pin black grey 000 979 133 000 979 133 A 000 979 225 000 979 225 A	1 X X X X	 1,0 1,0 2,5 2,5



ETKA

Model	Year	MG	SG	Illustration	Restrictions	UPD	8:45	12.02.2009
EL	2007	9	71	970-12		739		

Pos	Part Number	Description	Remark	Qty	Model
8	1J0 973 772	flat connector housing with contact locking mechanism for single wiring:	2 pin black 000 979 133 000 979 133 A 000 979 225 000 979 225 A	X X X X	1,0 1,0 2,5 2,5
9	6X0 973 802 A	flat contact housing with contact locking mechanism for single wiring: counterpart to:	2 pin dark brown 000 979 132 000 979 132 A 1J0 973 702 A	X X X	1,0 1,0
(9)	7H0 971 972	flat contact housing with contact locking mechanism for single wiring:	2 pin black 000 979 019 000 979 019 A 000 979 131 000 979 131 A	1 X X X X	0,5 0,5 1,0 1,0
(9)	6N0 927 997 A	flat contact housing with gasket for single wiring:	2 pin black 000 979 019 000 979 019 A 000 979 131 000 979 131 A 000 979 225	X X X X X	0,5 0,5 1,0 1,0 2,5
10	8E0 973 202	flat contact housing with contact locking mechanism for single wiring:	2 pin black 000 979 009 000 979 009 A	1 X X	0,5 0,5
11	3D0 973 702	flat contact housing with contact locking mechanism for single wiring:	2 pin yellow 000 979 019 000 979 019 A 000 979 131 000 979 131 A	1 X X X X	0,5 0,5 1,0 1,0
12	06A 973 722	flat contact housing with contact locking mechanism for single wiring: use if required:	2 pin black 000 979 028 000 979 153 06A 972 741 D	X X X X	0,5 1,0
(12)	07C 973 722	flat contact housing with contact locking mechanism for single wiring: use if required:	2 pin light grey 000 979 155 06A 972 741 D	X X X	1,0
13	4F0 972 571 B	flatcontact housing with cable for vehicles with pyrotech- nischen seat belt tensioner	2 pin yellow/violet L=240CM	1	
14	4B0 972 623	flat contact housing with contact locking mechanism for single wiring:	2 pin 000 979 009 000 979 009 A 000 979 009 C	1 X X X	0,5 0,5 0,5



ETKA

Model	Year	MG	SG	Illustration	Restrictions	UPD	8:45	12.02.2009
EL	2007	9	71	970-12		739		

Pos	Part Number	Description	Remark	Qty	Model
15	8J0 973 202	flat contact housing with contact locking mechanism thermostat	2 pin black	1	
		for single wiring:	000 979 034	X	0,5
			000 979 159	X	1,0
(15)	4F0 973 702	flat contact housing	2 pin	1	
		for single wiring:	000 979 034	X	0,5
			000 979 034 A	X	0,5
			000 979 034 C	X	0,5
			000 979 159	X	1,0
			000 979 159 A	X	1,0
			000 979 159 C	X	1,0
(12)	6R0 973 323	flat contact housing	2 pin black	1	
		for single wiring:	000 979 034		0,5
			000 979 034 A		0,5
			000 979 034 C		0,5
-	5X0 973 702	flat contact housing	2 pin	X	
		for single wiring:	000 979 040	X	
-	547 972 752	flat contact housing with gasket	2 pin	1	
		for single wiring:	000 979 133	X	1,0
			000 979 133 A	X	1,0
			000 979 225	X	2,5
			000 979 225 A	X	2,5