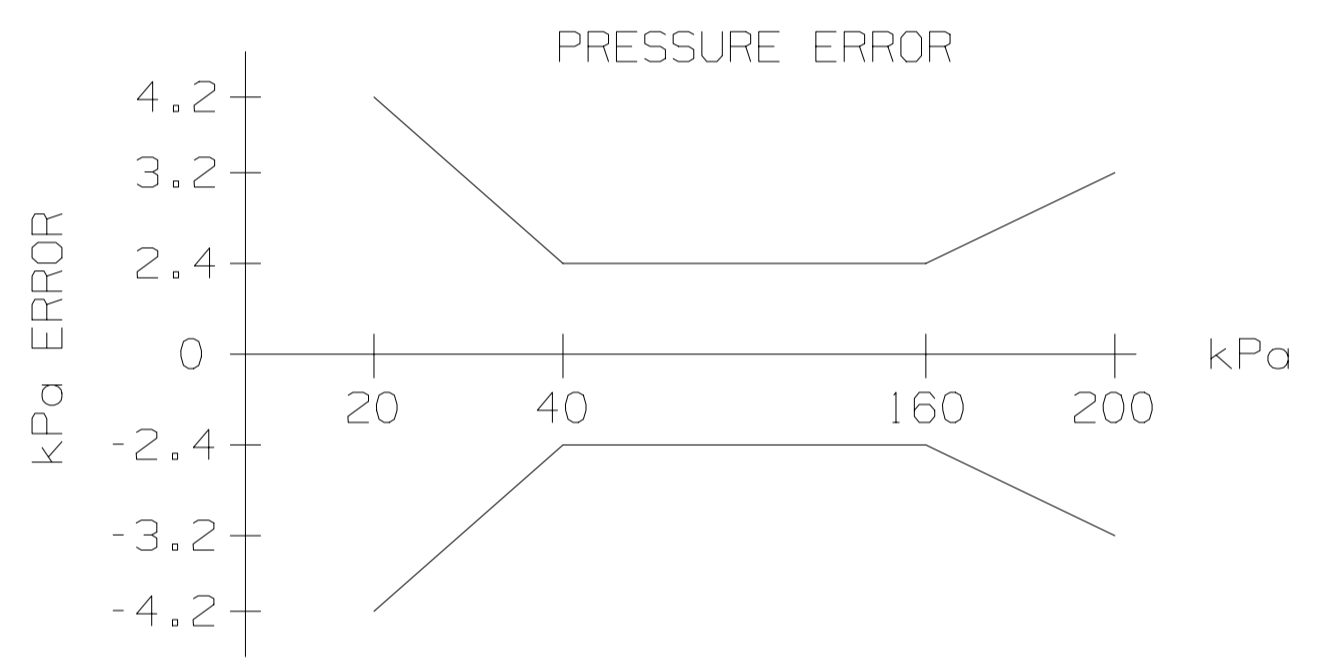
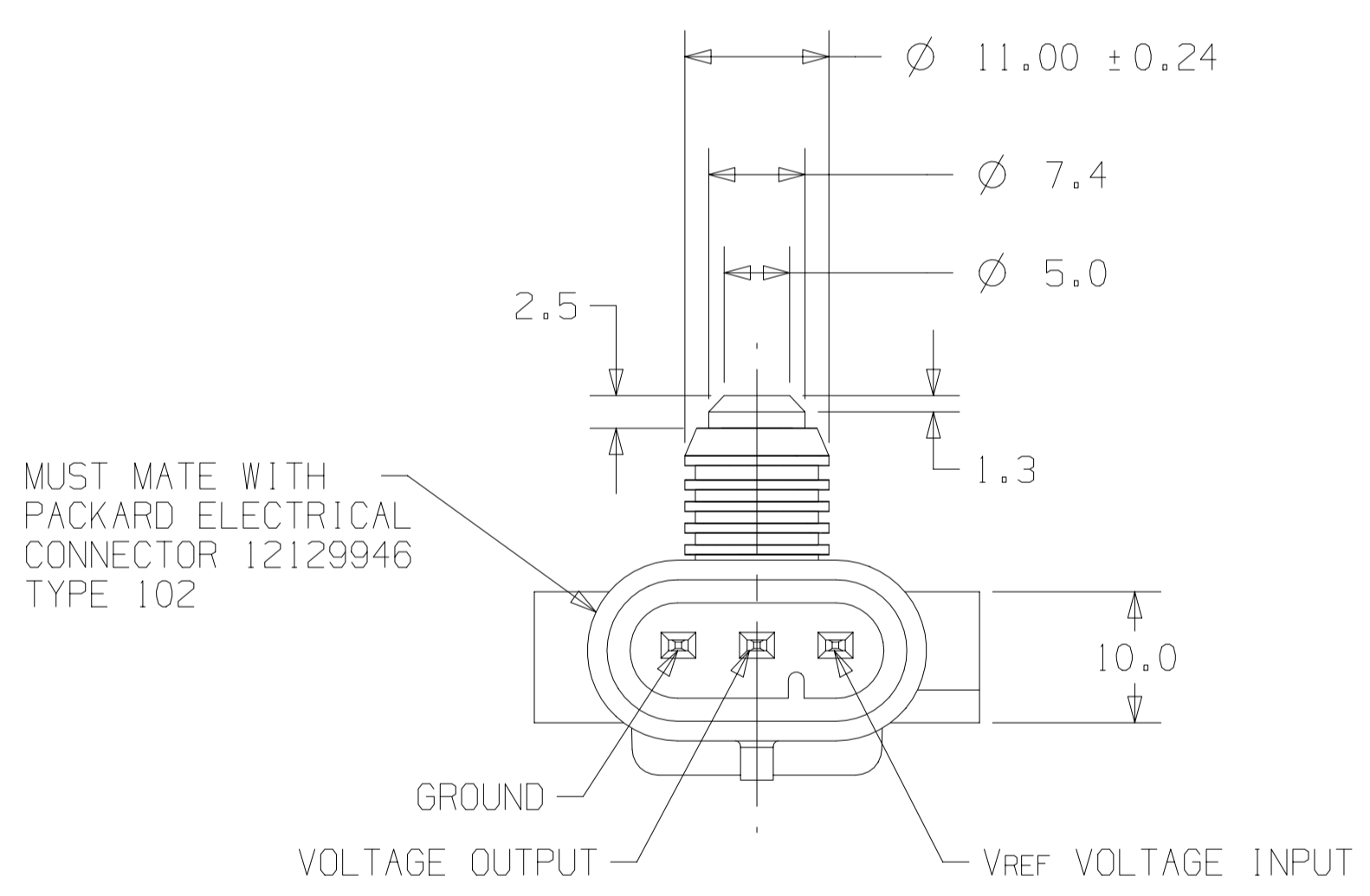
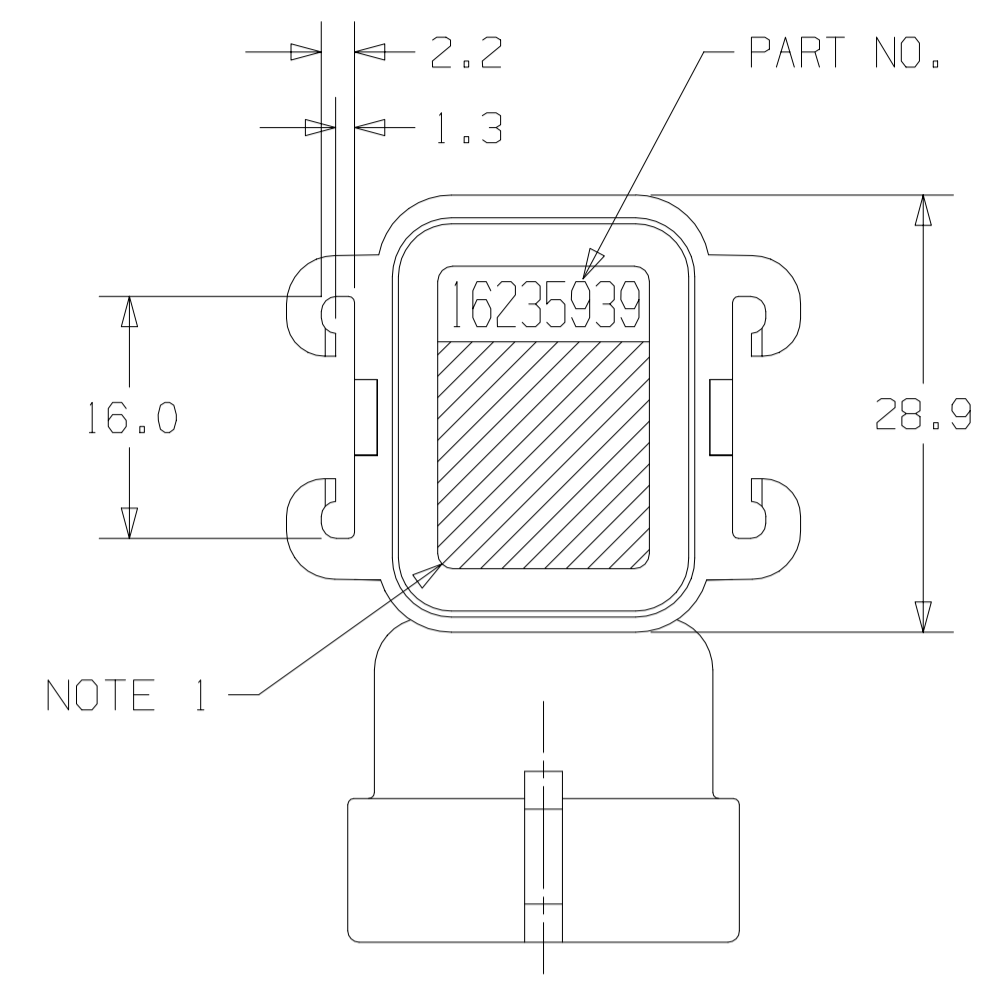
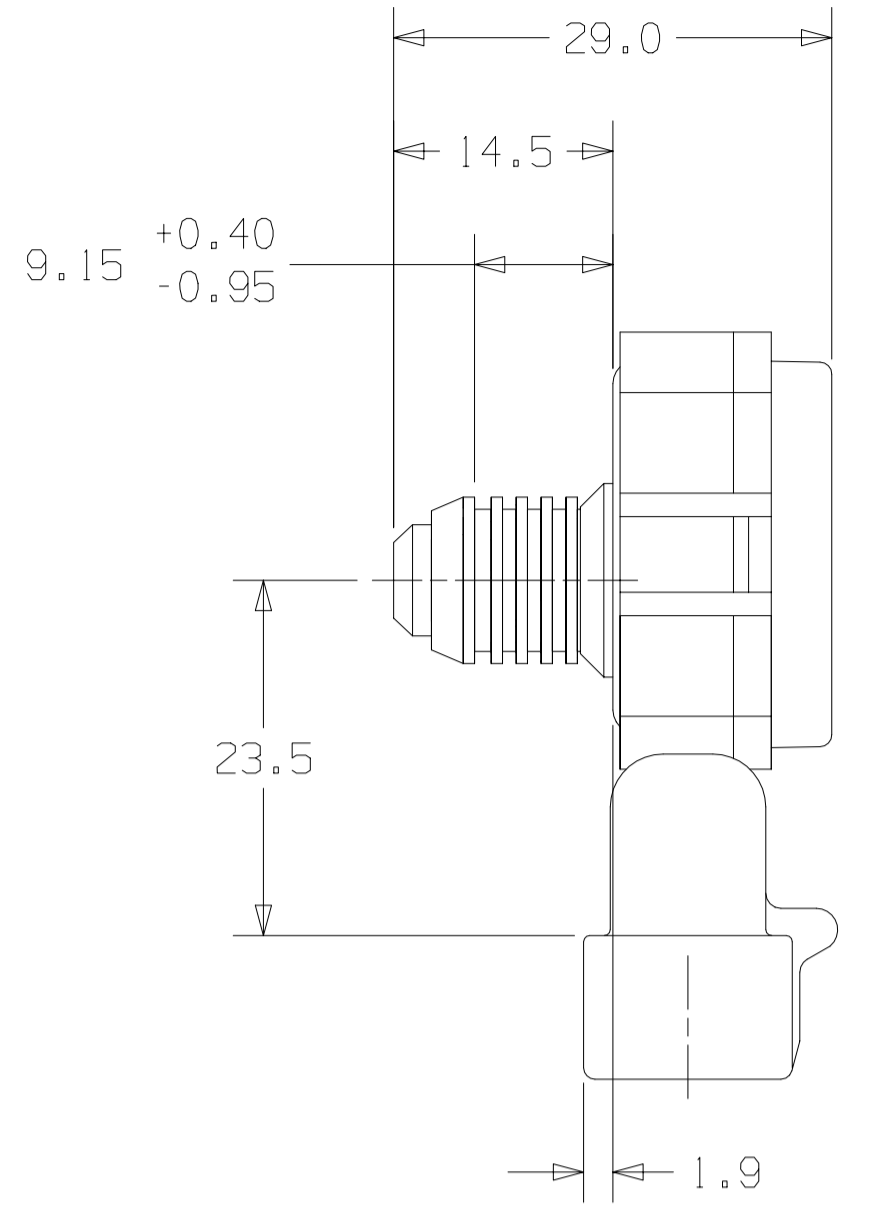
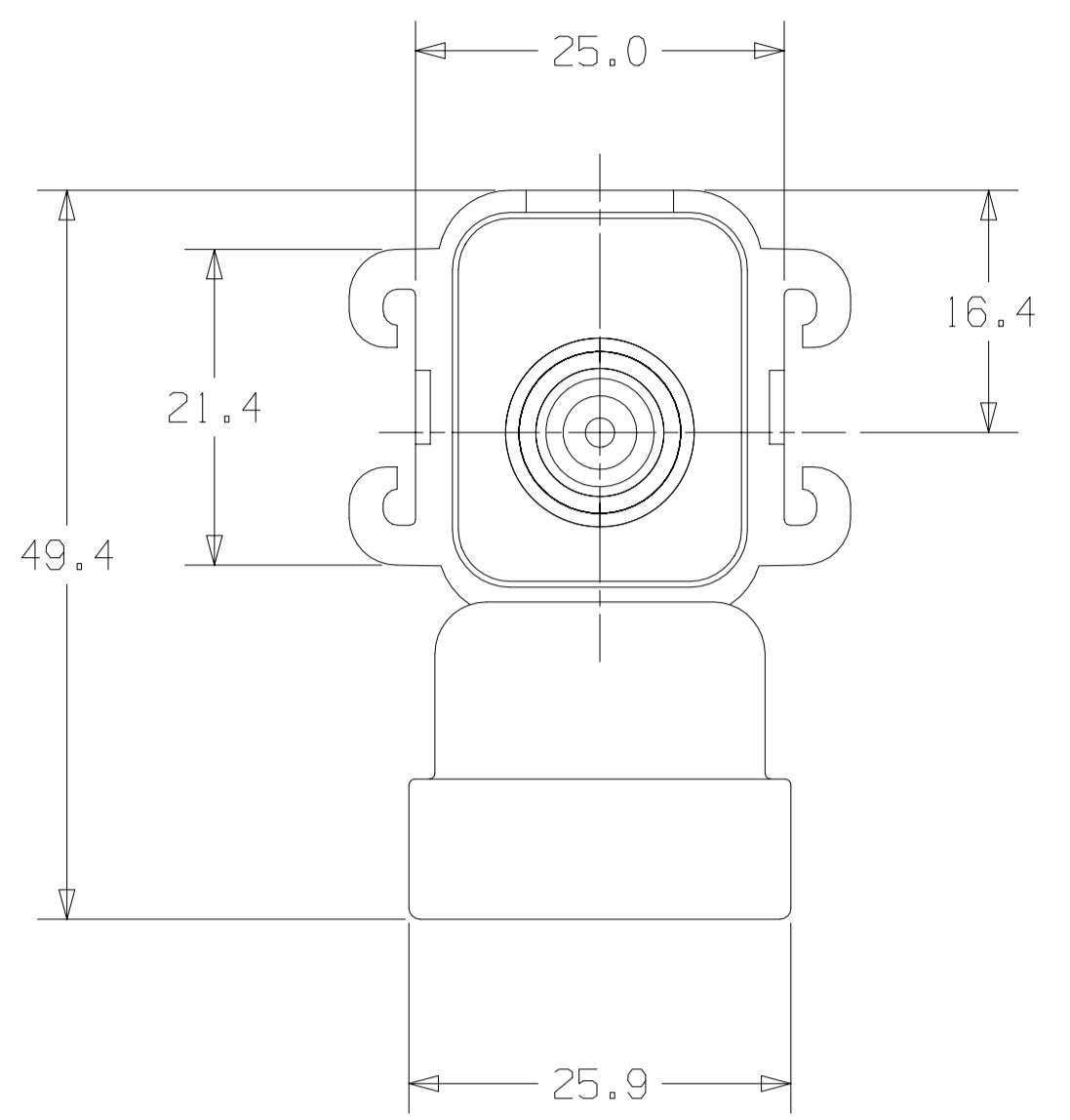
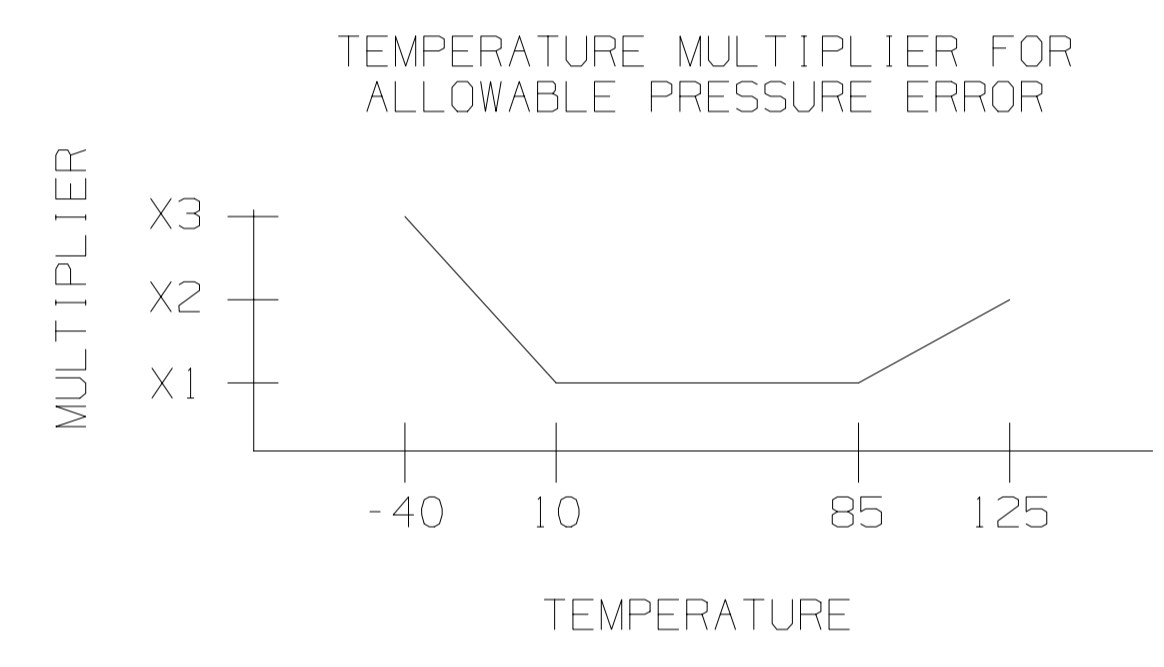


DATE	SYM	REVISION RECORD	AUTHORITY	DR.	CK.	APVD
		INITIAL CHECK	M7630			RL
06DE96	A	DELETED BRACKET & SEAL, ADDED GRAPHS.	M7875	PAD		RL
16MY97	B	ADDED BRACKET, SEAL, NOTES, AND MANIFOLD DETAIL, DELETED SECT A-A.				
		REVISED TEMP MULTIPLIER INFO.	M1020	PAD		RL
160C97	C	DELETED BRACKET AND RE-DIMENSION.	M1139	PAD		RL
07AP98	C	RELEASED - PRODUCTION	31222	DEW		RL
270C98	D	REVISED NOTES AND DRAWING NAME.	131400	DAD		RL
26JA99	E	REVISED NOTE 3, PER CN #5.	133194	DAD		RL
26FE02	F	EMI CAP CHANGE 0.022 μ F TO 0.1 μ F & NOTE 1 PER CN89	155089	JEM	FF	BS



PRESSURE ERROR IN kPa

INPUT PRESSURE	ALLOWABLE ERROR
20	+/-4.2
40	+/-2.4
160	+/-2.4
200	+/-3.2



TEMPERATURE MULTIPLIER FOR ALLOWABLE PRESSURE ERROR

TEMPERATURE	MULTIPLIER
-40	3
10	1
85	1
125	2

SCALE 2/1 DIST 04

DELPHI Automotive Systems
THIS DRAWING IS THE PROPERTY OF A DELPHI AUTOMOTIVE SYSTEMS COMPANY. NO RIGHTS ARE GRANTED TO USE THIS DRAWING FOR ANY PURPOSE OTHER THAN THE FURNISHING OF SERVICES AND SUPPLIES TO DELPHI AUTOMOTIVE SYSTEMS.

METRIC \leftarrow mm \rightarrow
UNLESS OTHERWISE SPECIFIED; ALL DIMENSIONS ARE IN MILLIMETERS, AND THE TOLERANCES ARE:
ONE PLACE DECIMALS \pm 0.7
TWO PLACE DECIMALS \pm 0.35
ANGLES \pm 4°
DRAFT ANGLES - 4°
SHARP CORNERS - R 0.50

GD&T SEE ANSI Y14.5M-82 FOR GD&T INTERPRETATION CHANGES ALLOWED ONLY BY PDM DOCUMENT PROCEDURES
PDM DO NOT SCALE
UG THIRD ANGLE PROJECTION

FIRST USED 16235939	DES DAVID B. NOLTE	260C95
REFERENCE GEN 2 P/SNSR	APR R.LONGSTREET	07AP98
EXP MODEL	APR N/A	
EXP NUM	APR N/A	

SUBSTANCES OF CONCERN AND RECYCLED CONTENT PER DELPHI - A 10949001

KEY PRODUCT CHARACTERISTICS

SAFETY/COMPLIANCE	FIT/FUNCTION
TOTAL ON DRAWING	1
LAST NUMBER USED	1

MATERIAL SPEC
DRAWING NAME
OUTLINE-P/SNSR
PART NUMBER
16235939
SHT 1 OF 1

1. LABEL: LABEL MAY CONTAIN BUT NOT LIMITED TO INFORMATION SUCH AS PIN OUT, COUNTRY OF ORIGIN, DATE CODE, TRACEABILITY INFORMATION.
- 1.1 DATE CODE: FIRST DIGIT REPRESENTS THE YEAR AND LAST THREE DIGITS REPRESENT THE DAY OF THE YEAR.
2. MOUNTING: THIS PART IS FOR DIRECT MOUNTING INTO A PORT HOLE AND IT IS RECOMMENDED THAT IT BE MOUNTED UP STREAM OF THE EXHAUST GAS RECIRCULATION VALVE. THE SENSOR PORT IS TO BE ORIENTED DOWN WITHIN 30° OF VERTICAL. AN ADDITIONAL RETAINER IS REQUIRED.

$V_{out} = V_{ref} (0.005 * P - 0.04)$

$V_{out} = 5.0 \pm 0.1$ VOLTS

P = PRESSURE IN kPa

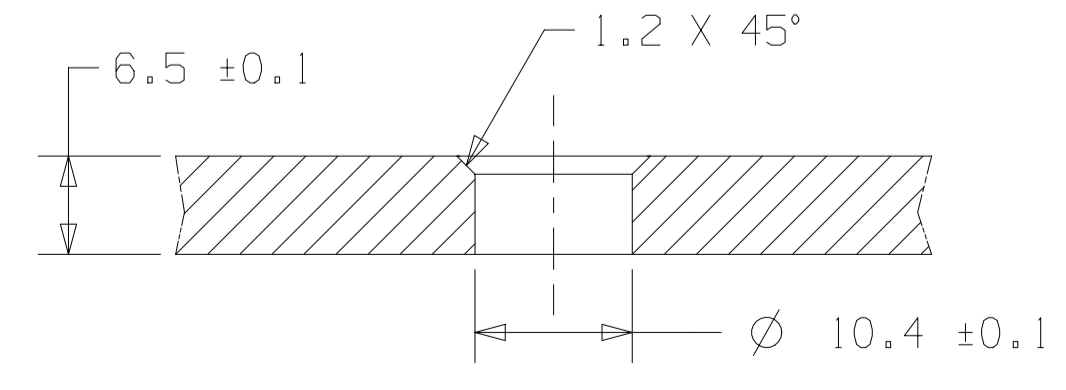
WITH PART @ +25°C AND SUPPLY VOLTAGE @ 5.0V THE OUTPUT VOLTAGE (V_{out}) SHALL BE:

P = 20 kPa - $V_{out} = 0.195 - 0.405$

P = 40 kPa - $V_{out} = 0.74 - 0.86$

P = 160 kPa - $V_{out} = 3.74 - 3.86$

P = 200 kPa - $V_{out} = 4.72 - 4.88$



MANIFOLD DETAIL SEE NOTE 3