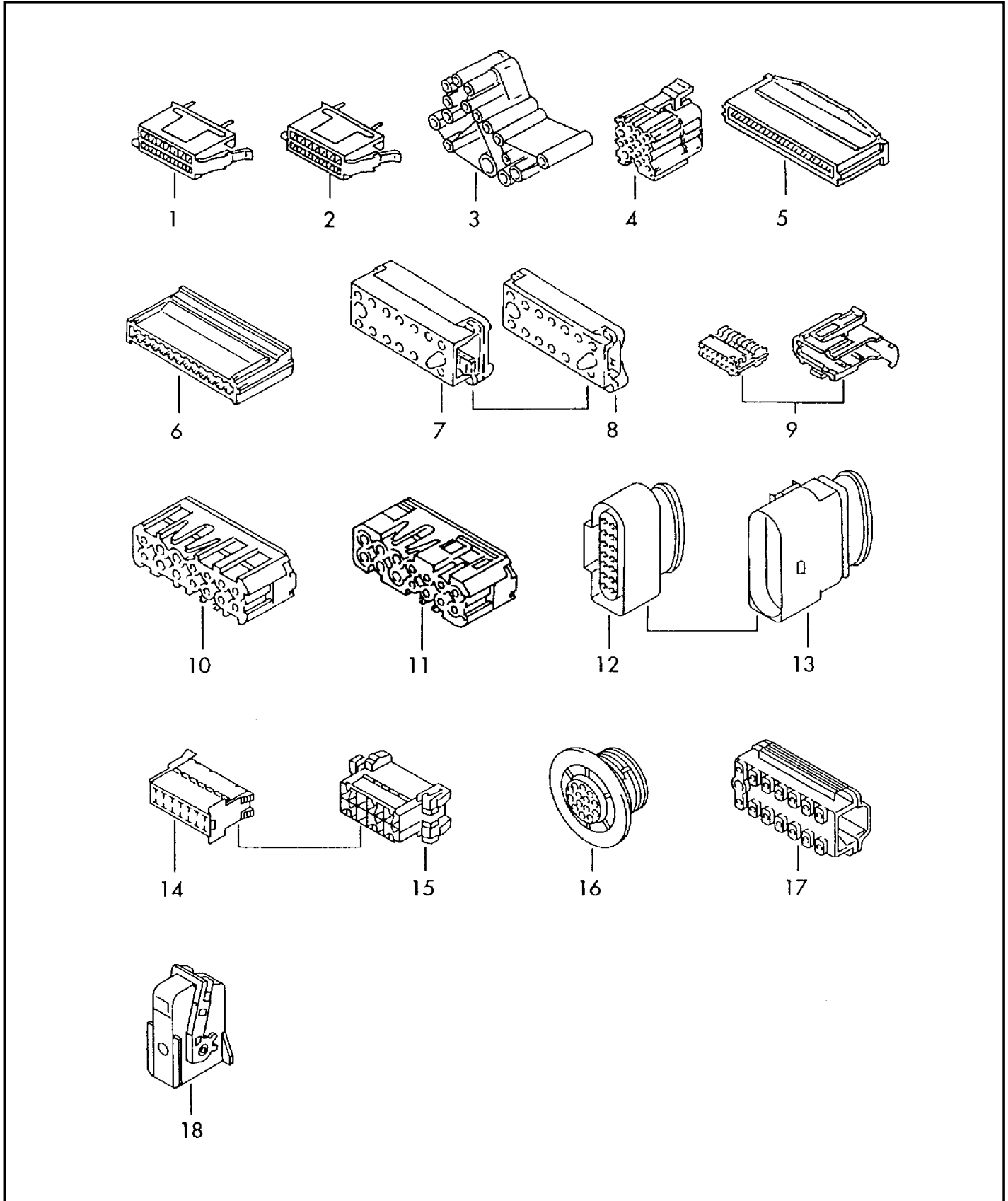




ETKA

Model	Year	MG	SG	Illustration	Restrictions	UPD	9:25	12.02.2009
EL	2008	9	71	971-75		739		





ETKA

Model	Year	MG	SG	Illustration	Restrictions	UPD	9:25	12.02.2009
EL	2008	9	71	971-75		739		

Pos	Part Number	Description	Remark	Qty	Model
1	357 919 971 C	plug housing flat contact housing for single wiring:	14 pin 14 pin blue 000 979 133 000 979 133 A 000 979 225 000 979 225 A	X X X X X X	1,0 1,0 2,5 2,5
2	357 919 971 D	flat contact housing for single wiring:	14 pin blue 000 979 133 000 979 133 A 000 979 225 000 979 225 A	X X X X X X	1,0 1,0 2,5 2,5
3	443 953 526 A	rd. connector sleeve housing for single wiring:	14 pin natural 000 979 108 000 979 110 000 979 208 000 979 211 000 979 305	X X X X X X	1,0 1,0 2,5 2,5 4,0
4	171 971 971 R	rd. connector sleeve housing for single wiring:	14 pin white 000 979 108 000 979 110 000 979 208 000 979 211 000 979 305	X X X X X X	1,0 1,0 2,5 2,5 4,0
5	321 971 998	spring contact housing for single wiring:	14 pin natural 000 979 102	X X	1,0
6	443 972 958	spring contact housing for single wiring:	14 pin black 000 979 116 000 979 116 A	X X X X	1,0 1,0
7	447 972 917	round connector pin housing with contact locking mechanism	14 pin black	X	
8	447 972 918	round connector housing with contact lock for contact:	14 pin black --- --- ---	X X	
9	--- --- ---	no longer available			
10	4A0 971 978	rd. connector sleeve housing for single wiring:	14 pin black/violet 000 979 117 000 979 213 000 979 214 000 979 301	X X X X X	1,0 2,5 2,5 4,0



ETKA

Model	Year	MG	SG	Illustration	Restrictions	UPD	9:25	12.02.2009
EL	2008	9	71	971-75		739		

Pos	Part Number	Description	Remark	Qty	Model
11	4D0 971 978	flat connector housing for single wiring:	14 pin black/violet 000 979 117 000 979 213 000 979 214 000 979 301	X X X X	1,0 2,5 2,5 4,0
12	6X0 973 717	flat contact housing for single wiring: matching contact housing:	14 pin black 000 979 131 000 979 131 A 6X0 973 817	X X X	1,0 1,0
(12)	6X0 973 717 A	flat contact housing for single wiring: matching contact housing:	14 pin brown 000 979 131 000 979 131 A 6X0 973 817 A	X X X	1,0 1,0
(12)	1J0 973 737	flat contact housing for single wiring: matching contact housing:	14 pin black 000 979 019 000 979 019 A 000 979 131 000 979 131 A 000 979 133 000 979 133 A 000 979 225 000 979 225 A 1J0 973 837	X X X X X X X X X	0,5 0,5 1,0 1,0 1,0 1,0 2,5 2,5
(12)	3C0 973 737	flat contact housing for single wiring:	14 pin 000 979 025 000 979 025 A 000 979 026 000 979 026 A 000 979 150 000 979 150 A 000 979 151 000 979 151 A 000 979 242 000 979 242 A	1 X X X X X X X X X	0,5 0,5 0,5 0,5 1,0 1,0 1,0 1,0 2,5 2,5
13	6X0 973 817	flat contact housing for single wiring: matching contact housing:	14 pin black 000 979 132 000 979 132 A 6X0 973 717	X X X	1,0 1,0
(13)	6X0 973 817 A	flat contact housing for single wiring: matching contact housing:	14 pin brown 000 979 132 000 979 132 A 6X0 973 717 A	X X X	1,0 1,0



ETKA

Model	Year	MG	SG	Illustration	Restrictions	UPD	9:25	12.02.2009
EL	2008	9	71	971-75		739		

Pos	Part Number	Description	Remark	Qty	Model
(13)	1J0 973 837	flat contact housing with contact locking mechanism for single wiring:	14 pin black 000 979 132 000 979 132 A 000 979 134 000 979 134 A 000 979 226 000 979 226 A	X X X X X X	1,0 1,0 1,0 1,0 2,5 2,5
		matching contact housing:	1J0 973 737	X	
14	2D0 971 989 AM	flat connector housing matching contact housing: for single wiring:	14 pin black 2D0 971 989 BG 000 979 021/A	X	
15	2D0 971 989 BG	flat connector housing matching contact housing:	14 pin black 2D0 971 989 AM	X	
16	2D0 971 989 AR	round connector housing for single wiring:	14 pin black 000 979 108	X X	
17	2D0 971 989 CR	flat contact housing cyl. connector with solder pin	14 pin black 2D0 972 982 A	X X	
18	8E0 973 714	flat contact housing with contact locking mechanism for single wiring:	14 pin black 000 979 009 000 979 009 A	X X	0,5 0,5