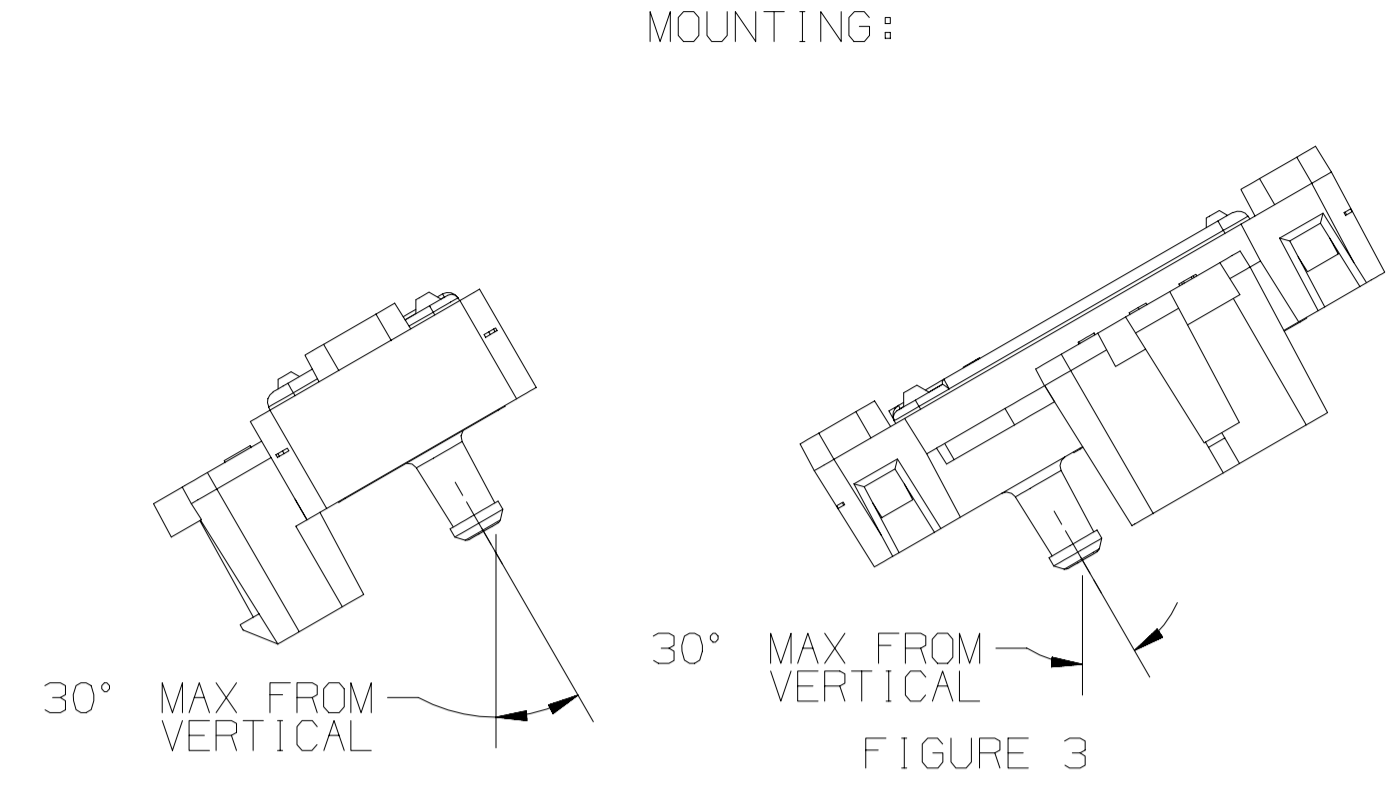
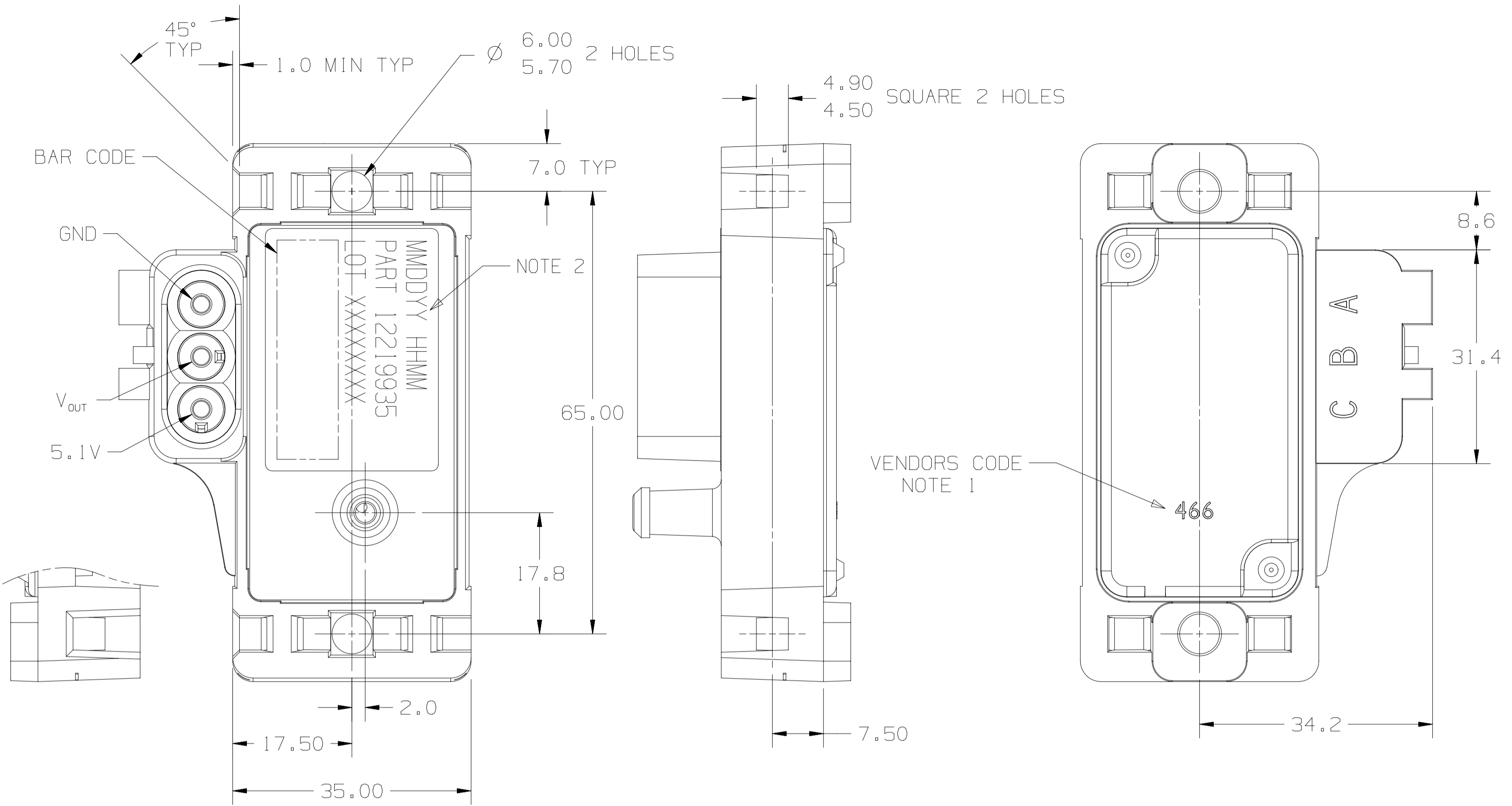
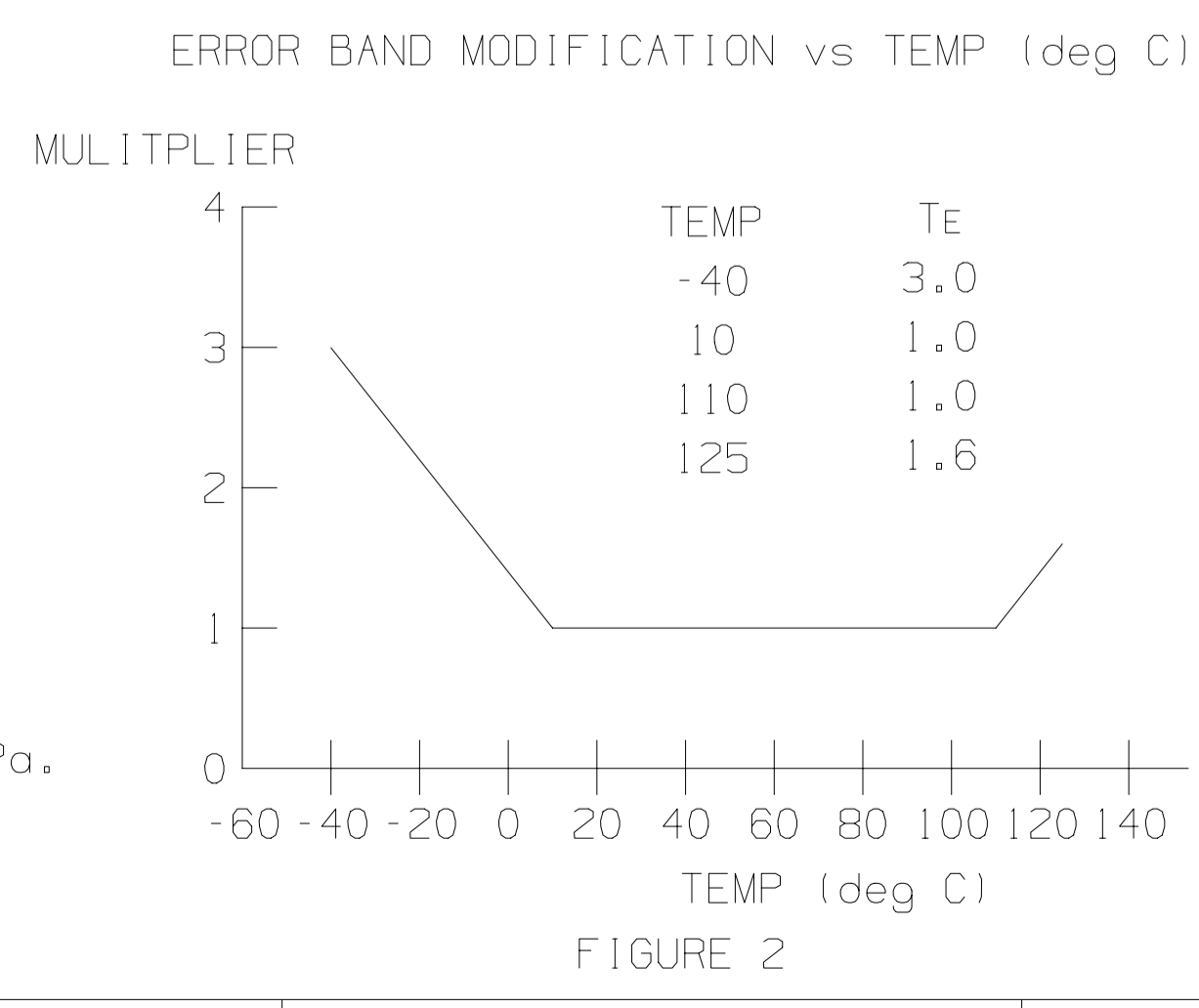
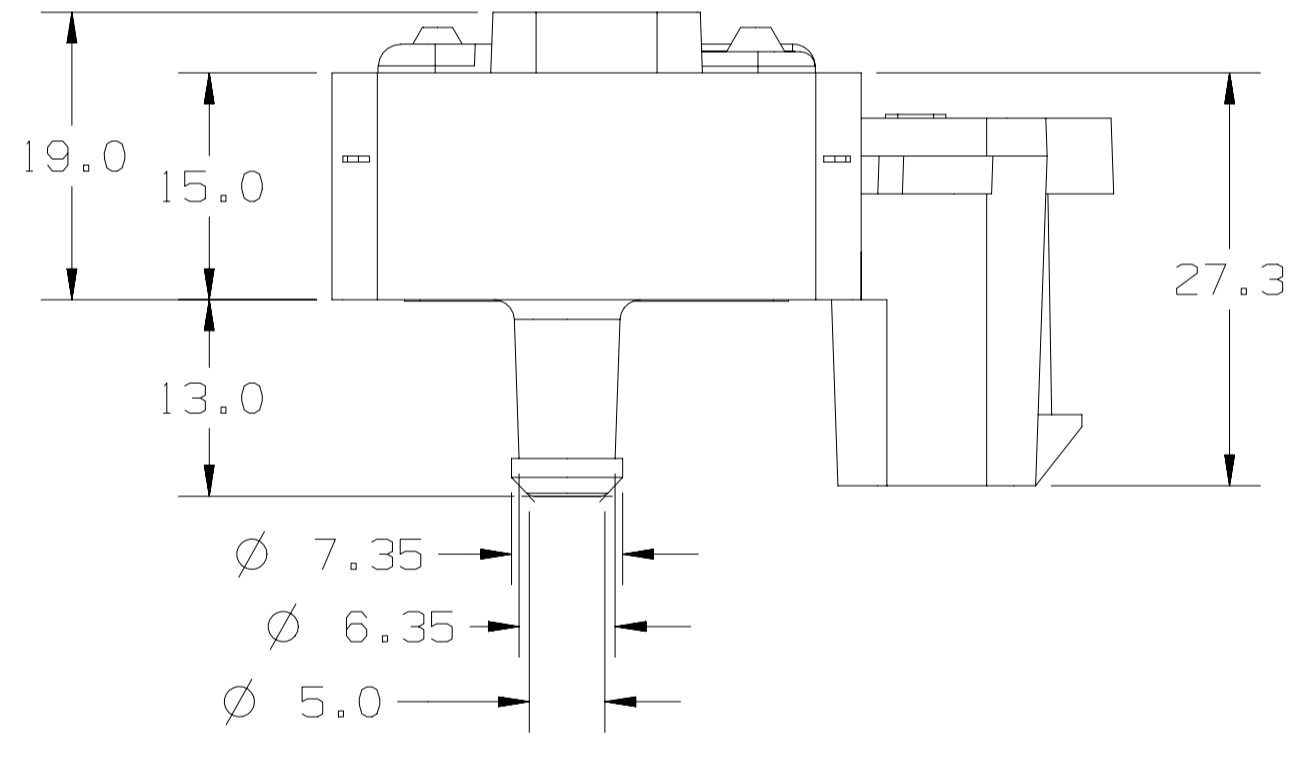
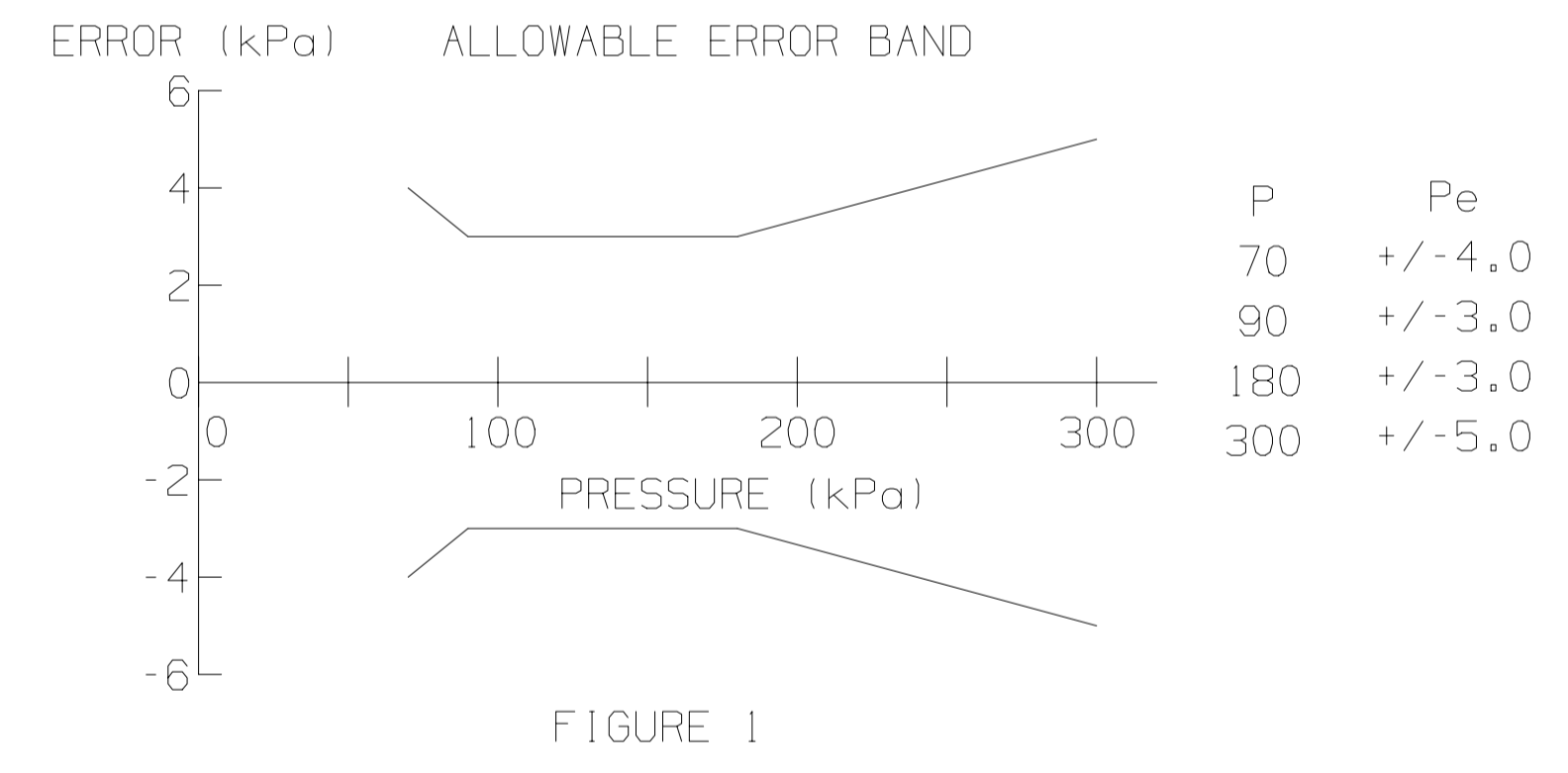


DATE	SYM	REVISION RECORD	AUTHORITY	CUST AUTHORITY	DR.	CK.	APVD
15AP02	A	RELEASED-PRODUCTION PER CN20017	164181	-	-	-	-
26AP02	B	ADDED NOTES TO PINS AND LABEL.	-	-	-	-	-
		REVISED PER 21255.	165931	-	DAO	RL	JS



- ORIENTATION OF VENDOR CODE IS OPTIONAL.
- EXAMPLE BAR CODE LABEL ATTACHED IN AREA SHOWN. LABEL WILL INCLUDE PART NUMBER AND TRACEABILITY INFORMATION.
- MUST MATE WITH PACKARD CONNECTOR 12015384 REV A 16MR92.
- RECOMMENDED MOUNTING PROCEDURE FOR THE PRESSURE SENSOR IS TO HAVE THE PORT POINTED DOWN WITHIN 30° OF VERTICAL. THIS WILL INSURE THAT ANY CONDENSATE OR LIQUID IN THE LINE WILL DRAIN AWAY FROM THE SENSOR CELL. THE PRESSURE SENSOR SHOULD BE MOUNTED HIGHER THAN THE VACUUM SOURCE TO ASSIST IN DRAINING THE LINE. MAXIMUM MOUNTING TORQUE 3.5N-m.
- ELECTRIC OUTPUT:
 - OUTPUT OF MODULE MUST BE IN ACCORDANCE WITH THE TRANSFER EQUATION WITHIN RATING SPECIFICATION
 $V_o = V_s (0.0037 P - 0.1600)$.
 - ERROR FROM THE EQUATION MUST BE WITHIN THE FOLLOWING LIMIT ($V_o = V_o \pm V_e$): $V = V_s T_e$
 $P_e (0.0037) T_e$ & P_e OBTAINED FROM FIG 1 & 2.
 - WITH PART AT 25°C AND SUPPLY VOLTAGE AT 5.1V THE OUTPUT VOLTAGE (V_{out}) SHALL BE:

P	V _{out} MIN	V _{out} MAX
70	0.429	0.580
90	0.826	0.939
180	2.524	2.637
300	4.750	4.939
 - THE LOAD IMPEDENCE SEEN BY SENSOR SHALL BE 51kOhm.
 - V_s SHALL BE ISOLATED & FILTERED SUCH THAT INPUT NOISE IS NO GREATER THAN 10mV P-P.
- PART WEIGHT: 57.0 gr ±10%



RATINGS

PARAMETER	SYMBOL	VALUE	UNITS
OPERATING PRESSURE	P	70 TO 300	kPa
OPERATING VOLTAGE	Vs	5.1 +/- 0.36	V
OPERATING TEMPERATURE	Ta	-40 TO 125	°C
STORAGE TEMPERATURE	Tstg	-50 TO 150	°C
OVER PRESSURE	Povr	2* MAX P	kPa
CURRENT DRAIN	Ismax	20	mA
PRESSURE RESPONSE TIME *	TP	6	ms
POWER UP RESPONSE TIME **	Tv	6.25	ms
OUTPUT NOISE ***	N	10	mV P-P
LEAK RATE (@ ANY OP. PRES.)	Plk	1.7 IN 30s	kPa

* 90% OF STEADY STATE RESPONSE TO CHANGE TO ANY OPERATING PRESSURE FROM ANY OTHER OPERATING PRESSURE.
** APPLICATION OF 4.74V PART MUST STABILIZE WITHIN +/-0.2 kPa.
*** OUTPUT NOISE DEFINED AS AC VOLTAGE > 10 KHZ.

RESTRICTED AND REPORTABLE CHEMICALS PER GW3059

KEY PRODUCT CHARACTERISTICS	
SAFETY/COMPLIANCE	FIT/FUNCTION
TOTAL ON DRAWING	0
LAST NUMBER USED	0

SCALE 2/1

DELPHI
Automotive Systems

METRIC \leftarrow mm \rightarrow
UNLESS OTHERWISE SPECIFIED; ALL DIMENSIONS ARE IN MILLIMETERS, AND THE TOLERANCES ARE:
ONE PLACE DECIMALS ± 0.4
TWO PLACE DECIMALS ± 0.25
ANGLES ± -
DRAFT ANGLES ± -
SHARP CORNERS ± -

GD&T SEE ASME Y14.5M-94 FOR GD&T INTERPRETATION
PDM CHANGES ALLOWED ONLY BY PDM DOCUMENT PROCEDURES
UG DO NOT SCALE THIRD ANGLE PROJECTION

FIRST USED 12219935	DES DEREK A. DELRYMPLE	15AP02
REFERENCE GEN 1.5	APR R.LONGSTREET	15AP02
EXP MODEL -	APR J.SCHNEIDER	15AP02
EXP NUM 160706290	APR N/A	
	APR N/A	
	APR N/A	

MATERIAL SPEC -

DRAWING NAME
OUTLINE-P/SNSR

PART NUMBER
12219935

SHT 1 OF 1

DELPHI DELCO ELECTRONICS SYSTEMS
Division of DELPHI AUTOMOTIVE