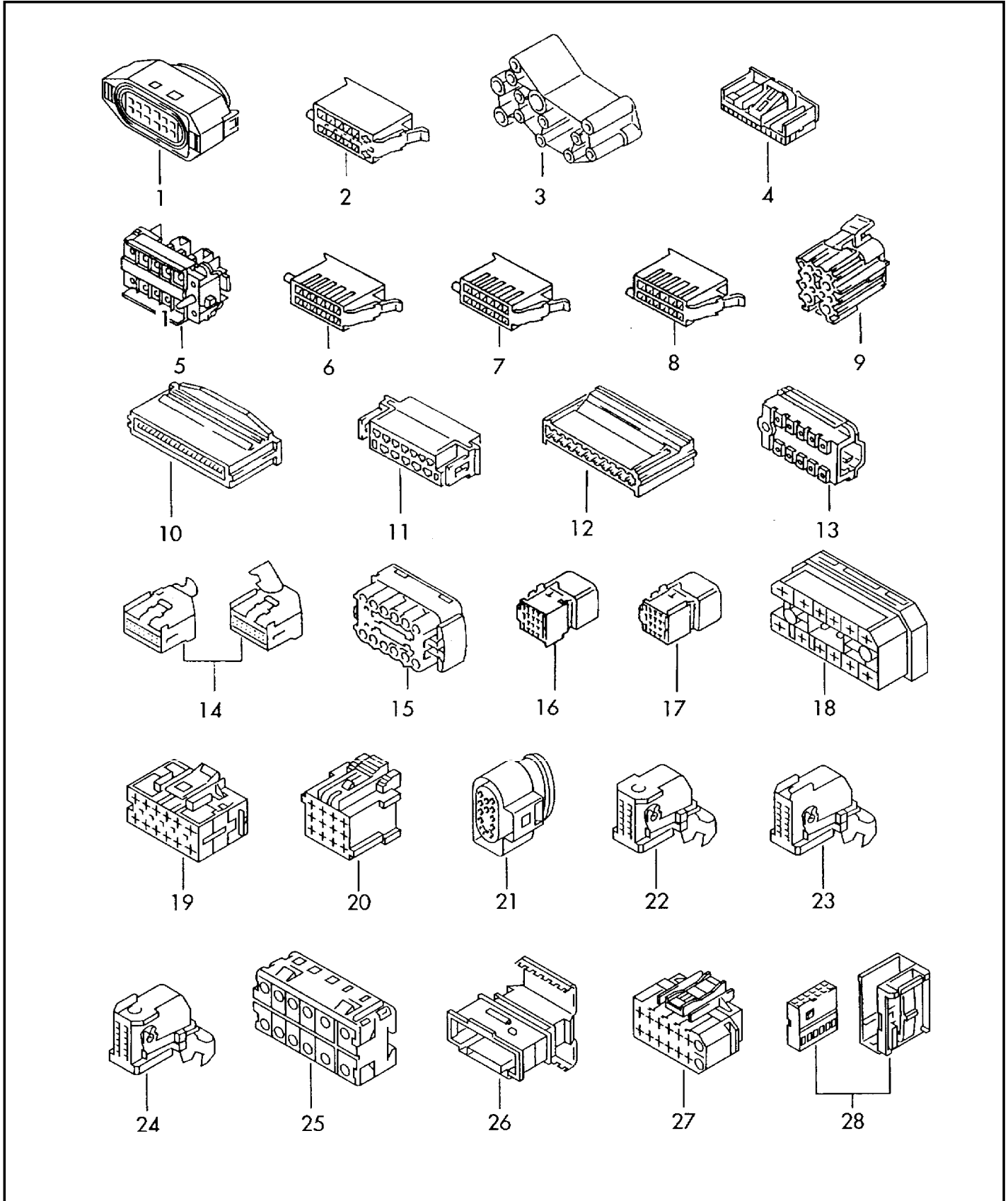




ETKA

Model	Year	MG	SG	Illustration	Restrictions	UPD	9:23	12.02.2009
EL	2008	9	71	971-60		739		





ETKA

Model	Year	MG	SG	Illustration	Restrictions	UPD	9:23	12.02.2009
EL	2008	9	71	971-60		739		

Pos	Part Number	Description	Remark	Qty	Model
1	1J0 941 165	plug housing flat contact housing for single wiring:	12 pin black 000 979 131 000 979 131 A 000 979 225 000 979 225 A	X X X X	1,0 1,0 2,5 2,5
2	357 945 968	flat contact housing with contact locking mechanism for single wiring:	12 pin white 000 979 133 000 979 133 A 000 979 135 000 979 225 000 979 225 A 000 979 227 000 979 407	X X X X X X X	1,0 1,0 1,0 2,5 2,5 2,5 6,0
3	431 953 525	rd. connector sleeve housing for single wiring:	12 pin white 000 979 108 000 979 110 000 979 208 000 979 211 000 979 305	X X X X X	1,0 1,0 2,5 2,5 4,0
4	8D0 972 712	flat connector housing for single wiring:	12 pin black 000 979 018 000 979 018 A	X X	0,5 0,5
(4)	8E0 972 712	flat connector housing for single wiring:	12 pin black 000 979 009 000 979 009 A	1	
5	251 963 098	round connector housing counterpart to:	12 pin black 443 972 918 A	X	
6	357 971 967	flat contact housing with contact locking mechanism for single wiring:	12 pin natural 000 979 133 000 979 133 A 000 979 225 000 979 225 A	X X X X	1,0 1,0 2,5 2,5
7	357 971 967 A	flat contact housing with contact locking mechanism for single wiring:	12 pin white 000 979 133 000 979 133 A 000 979 225 000 979 225 A	X X X X	1,0 1,0 2,5 2,5



ETKA

Model	Year	MG	SG	Illustration	Restrictions	UPD	9:23	12.02.2009
EL	2008	9	71	971-60		739		

Pos	Part Number	Description	Remark	Qty	Model
8	357 971 968 B	flat contact housing with contact locking mechanism for single wiring:	12 pin green 000 979 133 000 979 133 A 000 979 225 000 979 225 A	X X X X	1,0 1,0 2,5 2,5
9	171 971 971 S	rd. connector sleeve housing for single wiring:	12 pin yellow 000 979 108 000 979 110 000 979 208 000 979 211 000 979 305	X X X X X X	1,0 1,0 2,5 2,5 4,0
10	--- --- ---	no longer available	12 pin natural	X	
11	443 972 523 A	flat contact housing for single wiring:	12 pin brown 000 979 133 000 979 133 A 000 979 225 000 979 225 A	X X X X	1,0 1,0 2,5 2,5
12	443 972 957	spring contact housing for single wiring:	12 pin black 000 979 116	X X	1,0
13	443 972 918 A	rd. connector sleeve housing cyl. connector with solder pin counterpart to:	12 pin black 2D0 972 982 A 443 972 982 D 251 963 098	X X X X	
14	4A0 972 883	flat contact housing for single wiring:	12 pin black 000 979 018 000 979 018 A	X X	0,5 0,5
(14)	8Z0 972 923	flat contact housing for single wiring:	12 pin brown 000 979 018 000 979 018 A	X X	0,5 0,5
15	701 972 961	rd. connector sleeve housing for single wiring:	12 pin black 000 979 128 000 979 128 A 000 979 221 000 979 221 A	X X X X	1,0 1,0 2,5 2,5
16	4A0 972 805 B	flat contact housing with cap for single wiring:	12 pin black 000 979 006 000 979 121 000 979 223	X X X	0,5 1,0 1,5



ETKA

Model	Year	MG	SG	Illustration	Restrictions	UPD	9:23	12.02.2009
EL	2008	9	71	971-60		739		

Pos	Part Number	Description	Remark	Qty	Model
17	4A0 972 805 C	flat contact housing with cap for single wiring:	12 pin brown 000 979 006 000 979 121 000 979 223	X X X	0,5 1,0 1,5
18	8L0 971 978	flat connector housing for single wiring:	12 pin black/violet 000 979 133 000 979 135 000 979 227	X X X	1,0 1,0 2,5
19	4B0 973 721	flat contact housing for single wiring:	12 pin black/violet 000 979 133 000 979 133 A 000 979 225 000 979 225 A 000 979 227	X X X X X	1,0 1,0 2,5 2,5 2,5
20	7D0 963 997	flat contact housing for single wiring:	12 pin black 000 979 133 000 979 133 A 000 979 225 000 979 225 A	X X X X	1,0 1,0 2,5 2,5
21	8L0 972 710	flat contact housing with contact locking mechanism for single wiring:	12 pin black 000 979 131 000 979 131 A 000 979 133 000 979 133 A 000 979 225 000 979 225 A	X X X X X X	1,0 1,0 1,0 1,0 2,5 2,5
22	2D0 972 883	flat contact housing with cap for single wiring:	12 pin black 000 979 009	X X	0,5
23	2D0 972 883 A	flat contact housing with cap for single wiring:	12 pin white/black 000 979 009	X X	0,5
24	2D0 972 883 B	flat contact housing with cap for single wiring:	12 pin blue/black 000 979 009	X X	0,5
25	2D0 971 989 CG	flat contact housing cyl. connector with solder pin	12 pin black 2D0 972 982 F	X X	
26	6Q0 972 736	flat contact housing for single wiring:	12 pin black 000 979 132 000 979 132 A	X X	1,0 1,0



ETKA

Model	Year	MG	SG	Illustration	Restrictions	UPD	9:23	12.02.2009
EL	2008	9	71	971-60		739		

Pos	Part Number	Description	Remark	Qty	Model
27	1J0 962 612	flat contact housing with contact locking mechanism for single wiring:	12 pin dark red 000 979 131 000 979 131 A 000 979 225 000 979 225 A	X X X X	1,0 1,0 2,5 2,5
28	3B7 035 447 A	flat contact housing radio for single wiring: matching contact housing:	12 pin blue/black 000 979 009 000 979 009 A 3B7 035 444	X X X	0,5 0,5