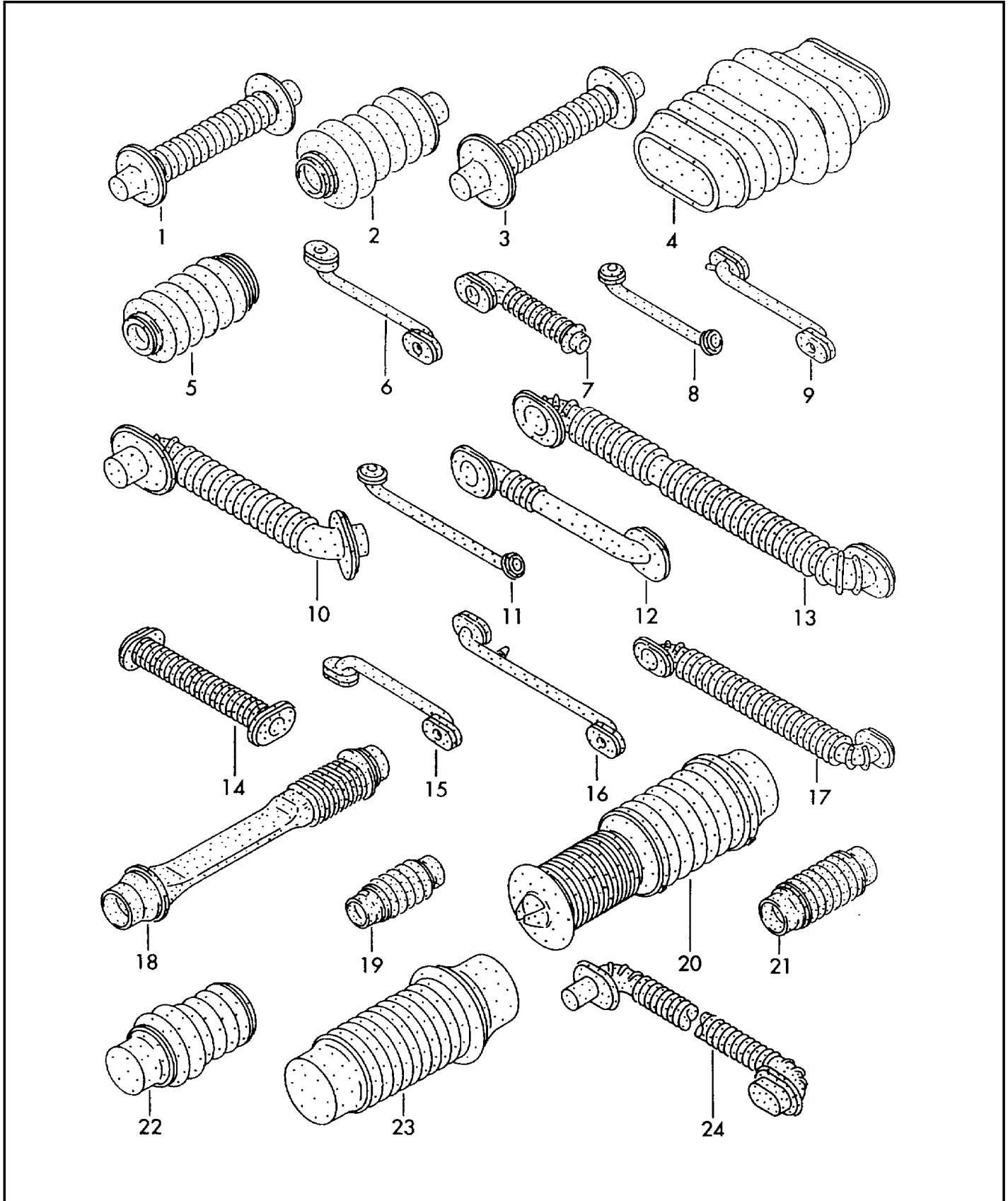




ETKA

Model	Year	MG	SG	Illustration	Restrictions	UPD	9:53	12.02.2009
EL	2008	9	71	976-12		739		





ETKA

Model	Year	MG	SG	Illustration	Restrictions	UPD	9:53	12.02.2009
EL	2008	9	71	976-12		739		

Pos	Part Number	Description	Remark	Qty	Model
		grommet for body			
1	155 959 845	bellows	27/27MM	X	
2	433 959 845	bellows	30/23/30	X	
3	155 959 845 A	bellows	27/15/32,5	X	
4	4A0 959 845 C	bellows	52X30/47X27/	X	
5	--- --- ---	no longer available	22/19/24	X	
6	--- --- ---	no longer available	22X15/10/22X15	X	
7	191 971 840	grommet	22/14/31,1X21	X	
8	251 971 840	grommet	12,5/9/12,5	X	
9	321 971 840	grommet	22X15/10/22X15	X	
10	333 971 840	bellows	39X29/18/38X22	X	
11	--- --- ---	no longer available	12,5/9/12,8	X	
12	535 971 840	grommet	21X31X120	X	
13	701 971 840 D	bellows	38X22,8/18/	X	
14	--- --- ---	no longer available	22/10/22	X	
15	171 971 840 A	grommet	22X15/10/22X15	X	
16	321 971 840 A	grommet	22X15/10/22X15	X	
17	867 971 840 A	grommet	22X15/12,8/	X	
18	255 971 916	bellows	33,7/26/30,7	X	
19	321 971 916	bellows	27,5/25/27,5	X	
20	701 971 916	bellows	45,5/51,5	X	
21	--- --- ---	no longer available			
22	357 971 916 A	bellows	33,5X38,5	X	
23	357 971 916 C	bellows	60,5/43/48,5	X	
24	701 971 840 B	bellows	39,1X29/18	X	