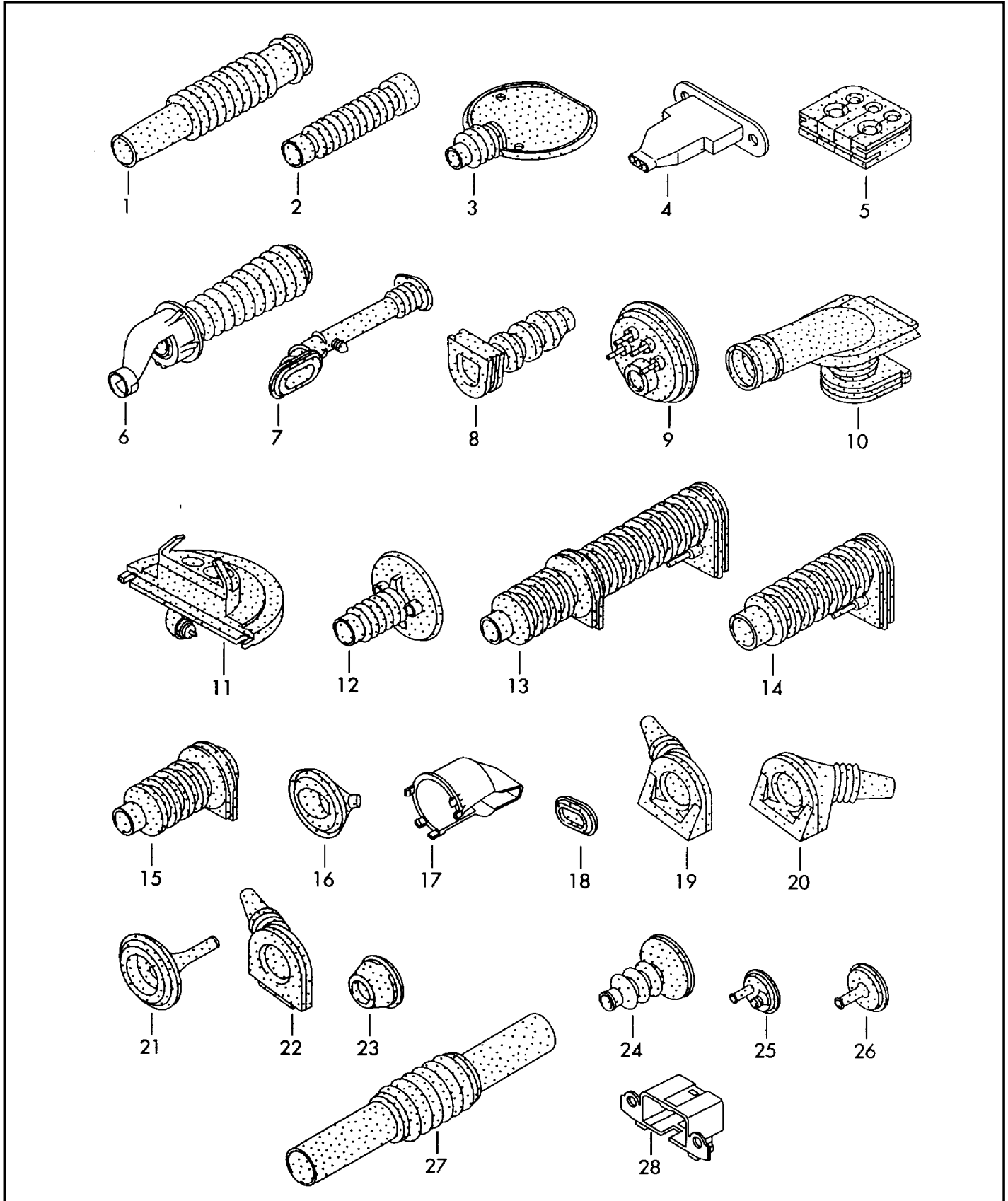




# ETKA

Model	Year	MG	SG	Illustration	Restrictions	UPD	9:53	12.02.2009
EL	2008	9	71	976-11		739		





# ETKA

Model	Year	MG	SG	Illustration	Restrictions	UPD	9:53	12.02.2009
EL	2008	9	71	976-11		739		

Pos	Part Number	Description	Remark	Qty	Model
		grommet for body			
1	701 906 376	protective cap	32/20	X	
2	4A0 941 189 C	bellows	12/18X115	X	
3	1C0 945 527	cover with grommet		X	
4	701 959 379	grommet		X	
5	8G0 971 239 C	grommet	19X6	X	
6	6N0 971 611 E	bellows		X	
7	6N0 971 840	grommet		X	
8	8D0 971 841 A	grommet	20/16	X	
(8)	8E0 971 841 C	grommet	35X30,5/14	X	
9	4A2 971 871 B	grommet		X	
10	4D0 971 871	grommet		X	
11	441 971 871 D	grommet		X	
12	8D0 971 871	grommet	51/15	X	
13	4B1 971 871	grommet	86,2/274	X	
14	4B2 971 871 A	grommet harness for engine compartment	86,2/199	X	rhd
15	8D2 971 871 A	grommet	26/26	X	
16	4D0 971 872 A	grommet		X	
17	6N0 971 883	cover cap		X	
18	038 971 904	plug		X	
19	1H0 971 905 H	grommet	39/5	X	
20	1H0 971 905 K	grommet	39/12	X	
21	6N0 971 905 E	grommet	51/7	X	
22	6N0 971 905 L	grommet	39/5	X	
23	--- --- ---	no longer available			
24	893 971 908 H	grommet	51X6	X	
25	1H0 971 913 C	grommet		X	
26	3A0 971 913 A	grommet	35/10,5	X	
27	535 971 916 A	bellows	33,5/31,5/38,5	X	



# ETKA

Model	Year	MG	SG	Illustration	Restrictions	UPD	9:53	12.02.2009
EL	2008	9	71	976-11		739		

Pos	Part Number	Description	Remark	Qty	Model
28	535 972 633	cover cap for diagnosis plug		x	