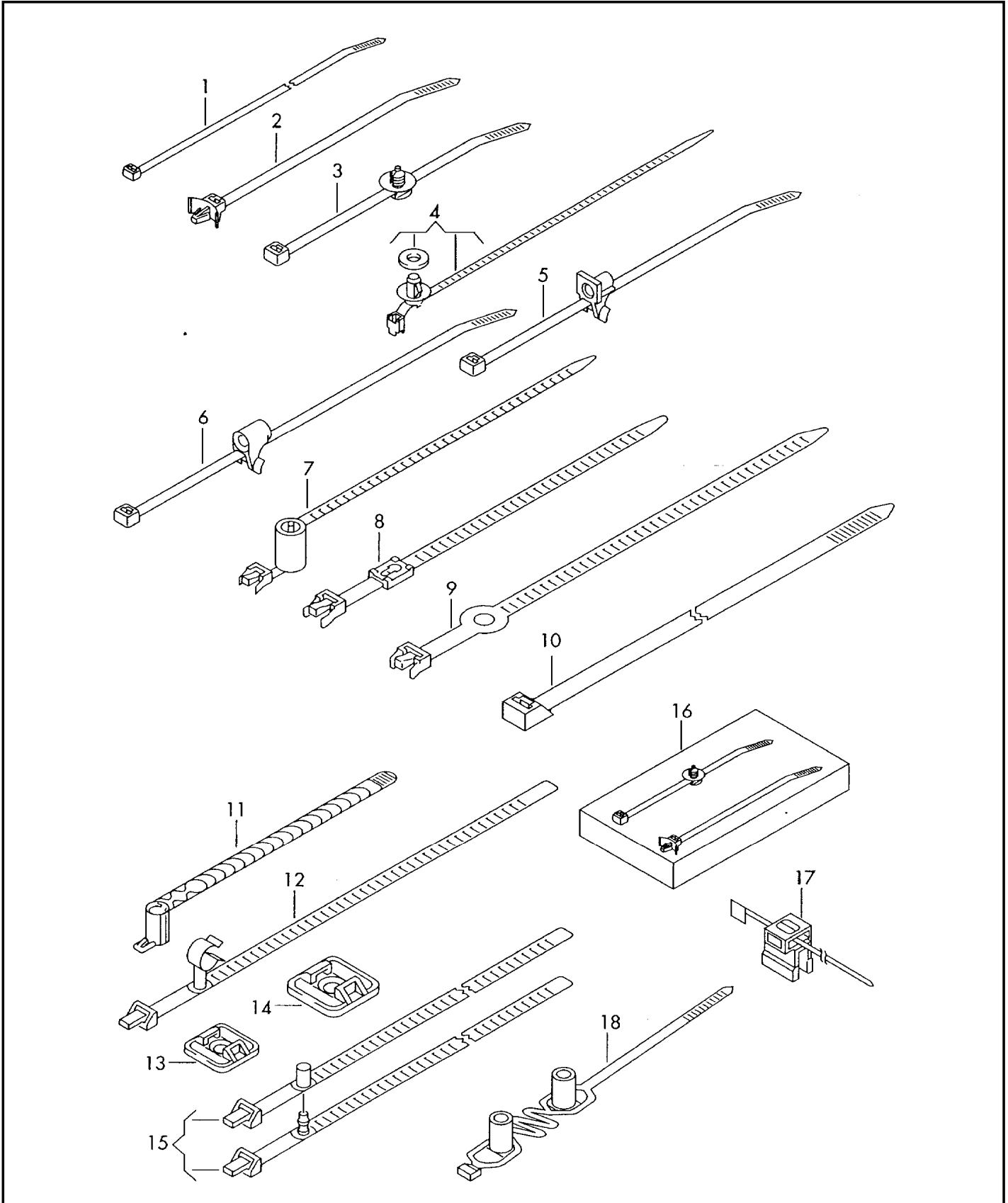




ETKA

Model	Year	MG	SG	Illustration	Restrictions	UPD	10:00	12.02.2009
EL	2008	9	71	979-10		739		





ETKA

Model	Year	MG	SG	Illustration	Restrictions	UPD	10:00	12.02.2009
EL	2008	9	71	979-10		739		

Pos	Part Number	Description	Remark	Qty	Model
-	4F0 971 850	cable tie retaining plate for cable binder (self-adhesive)		1	
1	+ N 020 902 2	cable tie	3,6X246MM	X	
(1)	+ N 020 904 8	cable tie	2,5X144MM	X	
(1)	N 909 377 02	cable tie toothed quadrant temp. resistant:	4,6X193MM outer -40C/+150C	X	
(1)	N 106 622 01	cable tie toothed quadrant	4,6X377MM outer	X	
(1)	8Z0 971 850 D	cable tie	7,5X382MM	1	
(1)	4L0 971 850 D	double binding cable tie high temperature proof to:	4,8X197MM 195C	X	
2	--- --- --- .	discontinued / replacement: hole/sheet metal thickness:	3C8 971 850 8,0/0,6-2,5MM	X	
(2)	3C8 971 850	cable tie hole/sheet metal thickness: toothed quadrant	4,6X156MM 6,5/0,7-1,3 outer	1	
(2)	1Z0 971 850 A	cable tie hole/sheet metal thickness:	4,8X170MM 6,2X12,2MM /0,6-3,0MM	X	
(2)	4F2 721 663	cable tie hole/sheet metal thickness:	4,7X160MM 6,5/0,75-3,00	1	
3	3D0 971 838 N	cable tie toothed quadrant hole/sheet metal thickness:	4,5X200 outer 6,5 / 0,3-3	1	
(3)	3D0 971 838 N	cable tie toothed quadrant hole/sheet metal thickness:	4,5X200MM outer 6,5/0,3-3,0MM	1	
(3)	3W0 971 838	cable tie hole/sheet metal thickness: toothed quadrant high temperature resistant	4,6X193MM 6,5/0,3-3,0MM outer to 150 degrees celsius	X	
(3)	N 909 266 01	cable tie hole/sheet metal thickness: toothed quadrant	4,6X200MM 6,5/2,5-3,5MM outer	X	
(3)	N 907 726 01	cable binder - corrugated pipe hole/sheet metal thickness:	5,0X200MM 6,5/0,6-2,0MM	X	
(3)	8E0 971 818 B	cable tie hole/sheet metal thickness:	4,6X210MM 5,0/0,6-3,0MM	X	



ETKA

Model	Year	MG	SG	Illustration	Restrictions	UPD	10:00	12.02.2009
EL	2008	9	71	979-10		739		

Pos	Part Number	Description	Remark	Qty	Model
(3)	6H0 957 818	cable tie hole/sheet metal thickness:	4,6X200MM 8,0MM	X	
(3)	3D0 971 818	cable tie gasket for base plate hole/sheet metal thickness: toothed quadrant	4,6X150MM 6,5/0,6-1,5MM outer	X	
(3)	N 907 213 01	cable tie high temperature resistant to:	4,6X190MM -40C/+150C	X	
(3)	4F0 971 850 A	cable tie hole/sheet metal thickness:	5,0X300MM 8,0/0,7-3,0MM	X	
4	1K0 971 818	cable tie gasket for base plate hole/sheet metal thickness: toothed quadrant	4,6X160MM 6,5/0,6-1,8MM outer	X	
-	1J0 972 822	cable holder bush	10/6,0MM for: 1K0 971 818	1	
(4)	N 907 104 01	cable tie hole/sheet metal thickness:	7,0X165MM 6,2/0,8-2,5MM	X	
(4)	1P0 971 838	cable tie hole/sheet metal thickness:	4,6X193 10,0/0,8-5,0MM	X	
(4)	8E0 971 848 A	cable tie with fixing tab cable tie with holder for weld pin:	11,5X166 5,0 MM	X	
(4)	8E0 971 848 L	cable tie with fixing tab gasket for base plate hole/sheet metal thickness:	11,5X160MM 6,5/0,6-1,5MM	X	
(4)	3D0 971 818 B	cable tie hole/sheet metal thickness:	6,0X209MM 6,5/0,6-3,0MM	1	
(4)	4L0 971 850 A	cable tie cable tie with holder for weld pin:	4,8X302MM 5,0MM	1	
5	3D0 971 838	cable tie with bracket for plastic pin: toothed quadrant	5,0X200MM 5,0MM outer	X	
6	3D0 971 838 A	cable tie with holder for weld pin: toothed quadrant	5,0X200MM 5,0MM outer	X	
(6)	6Q0 971 838 B	cable tie with holder for weld pin:	5,0MM	1	
(6)	6Q0 971 838 C	cable tie with holder for weld pin:	5,0X200MM 5,0MM	X	



ETKA

Model	Year	MG	SG	Illustration	Restrictions	UPD	10:00	12.02.2009
EL	2008	9	71	979-10		739		

Pos	Part Number	Description	Remark	Qty	Model
(6)	3D0 971 838 F	cable tie with holder for weld pin: cable tie toothed quadrant	2 point 5,0MM 5,0X200MM outer	X	
(6)	3D0 971 739 B	cable tie for weld pin:	162MM 5,0MM	X	
(6)	3D0 971 739 D	cable tie for weld pin:	162MM 8,0MM	X	
7	N 903 571 01	cable tie	5,0X171,5MM	X	
8	+ 811 971 850	cable tie	7,0X165MM	X	
9	--- --- ---	no longer available			
10	8A9 971 850 A	cable tie	530X14MM	X	
11	8D0 971 850 C	cable tie for weld pin:	9,0X119MM 6,0MM	X	
(11)	+ N 906 437 01	cable tie with holder for weld pin:	10X187MM 5,0MM	X	
(11)	8E0 971 848 H	cable holder	180X18MM	X	
(11)	4Z7 971 846	cable holder corrugated pipe	148X55X18MM	1	BAS
(11)	+ N 904 761 01	cable tie hole/sheet metal thickness:	10X195MM 6,5/0,7-3,0MM	X	
12	443 957 818 C	cable tie with hose retainer	7,0X273/8,0MM	X	
(12)	N 106 889 01	cable tie with hose retainer for corrugated pipe:	7,0X140/13MM 13MM	X	
(12)	4A0 121 093	cable tie with hose retainer	7X140/22-24MM	1	
(12)	059 131 694 AC	cable tie with hose retainer	12X100/20-24MM	X	
13	000 971 010	retaining plate for cable binder (self-adhesive) use if required:	19X19MM N 020 902 2 N 909 377 02	X X	
14	000 971 010 A	retaining plate for cable binder (self-adhesive) use if required:	27X27MM N 020 902 2 N 909 377 02	X X	
15	4A0 820 199	double cable tie	7,0X213/140MM	X	
(15)	4B0 971 818	double cable tie	7,0X342/140MM	X	
16	--- --- ---	no longer available		X	



ETKA

Model	Year	MG	SG	Illustration	Restrictions	UPD	10:00	12.02.2009
EL	2008	9	71	979-10		739		

Pos	Part Number	Description	Remark	Qty	Model
17	3D0 971 838 E	cable tie with terminal socket for bridge strength: toothed quadrant (clamp base, rotating)	5,0X200MM 1,0-3,0MM outer	X	
(17)	1Y0 971 838	cable tie with terminal socket with side cable guide for bridge strength: toothed quadrant (clamp base, rotating)	4,6X200MM 1,0-3,0MM outer	X	
(17)	N 106 596 01	cable tie with terminal socket for bridge strength: toothed quadrant (clamp base, rotating)	4,6X200MM 3,0-6,0MM outer	X	
(17)	WHT 001 999	cable tie with terminal socket with side cable guide for bridge strength: toothed quadrant (clamp base, rotating)	4,6X200 3,0-6,0MM outer	X	
(17)	6Q0 971 848 F	cable holder toothed quadrant	1,0-1,5MM outer	X	
18	8E0 971 850 C	cable tie with holder for weld pin: toothed quadrant	5,0X353MM 5,0X15MM outer	X	