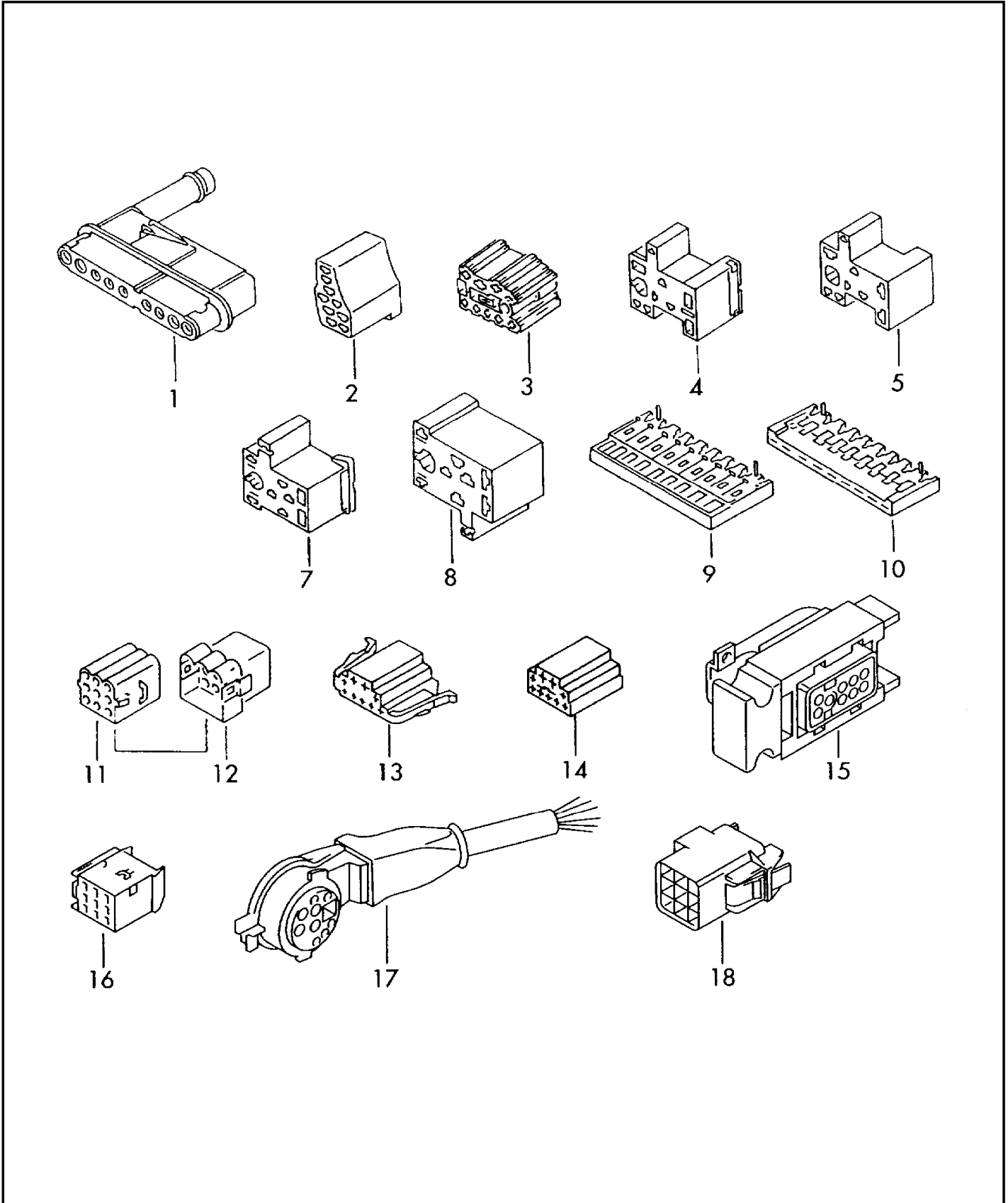




ETKA

Model	Year	MG	SG	Illustration	Restrictions	UPD	9:18	12.02.2009
EL	2008	9	71	971-35		739		





ETKA

Model	Year	MG	SG	Illustration	Restrictions	UPD	9:18	12.02.2009
EL	2008	9	71	971-35		739		

Pos	Part Number	Description	Remark	Qty	Model
1	---	plug housing no longer available	9 pin		
3	857 971 942 E	flat contact housing for single wiring:	9 pin white 000 979 133 000 979 133 A 000 979 135 000 979 225 000 979 225 A 000 979 227 000 979 407	X X X X X X X	1,0 1,0 1,0 2,5 2,5 2,5 6,0
4	---	no longer available			
5	---	no longer available			
7	867 971 999 A	flat contact housing for single wiring:	9 pin black 000 979 133 000 979 133 A 000 979 135 000 979 225 000 979 225 A 000 979 227 000 979 407	X X X X X X X	1,0 1,0 1,0 2,5 2,5 2,5 6,0
8	---	no longer available		X	
9	191 972 550	spring contact housing (long) for single wiring:	9 pin black 000 979 115	X X	1,0
10	191 972 551	spring contact housing (short) for single wiring:	9 pin black 000 979 115	X X	1,0
11	433 959 771	rd. connector sleeve housing for single wiring: matching contact housing:	9 pin natural 000 979 110 000 979 211 000 979 305 443 959 772	X X X X	1,0 2,5 4,0
12	433 959 772	round connector housing for single wiring: matching contact housing:	9 pin natural 000 979 111 000 979 210 433 959 771	X X X	1,0 2,5
13	1H4 972 709	flat contact housing for single wiring:	9 pin black 000 979 133 000 979 133 A 000 979 225 000 979 225 A	X X X X	1,0 1,0 2,5 2,5



ETKA

Model	Year	MG	SG	Illustration	Restrictions	UPD	9:18	12.02.2009
EL	2008	9	71	971-35		739		

Pos	Part Number	Description	Remark	Qty	Model
14	3A0 972 709	flat contact housing for single wiring:	9 pin black 000 979 133 000 979 133 A 000 979 225 000 979 225 A	X X X X	1,0 1,0 2,5 2,5
15	4B0 972 709	rd. connector sleeve housing for single wiring:	9 pin black 000 979 128 000 979 128 A 000 979 221 000 979 221 A	X X X X	1,0 1,0 2,5 2,5
(15)	4B0 972 709 A	rd. connector sleeve housing for single wiring:	9 pin black 000 979 128 000 979 128 A 000 979 221 000 979 221 A	X X X X	1,0 1,0 2,5 2,5
(15)	4F0 972 709	flat contact housing for single wiring:	9 pin grey 000 979 026 000 979 026 A 000 979 242 000 979 242 A	1 X X X X	1,0 1,0 2,5 2,5
16	4B0 906 971	flat contact housing for single wiring:	9 pin black 000 979 133 000 979 133 A 000 979 225 000 979 225 A	X X X X	1,0 1,0 2,5 2,5
(16)	4B0 906 973	flat contact housing for single wiring:	9 pin black/grey 000 979 133 000 979 133 A 000 979 225 000 979 225 A	1 X X X X	1,0 1,0 2,5 2,5
17	2D0 971 989 CM	flat contact housing	9 pin black	X	
18	6Q0 937 725	flat contact housing with contact locking mechanism for single wiring: counterpart to: counterpart to: connector location:	9 pin yellow 000 979 020 000 979 020 A 000 979 132 000 979 132 A 6Q1 937 700 6Q2 937 700 M	1 X X X X	0,5 0,5 1,0 1,0