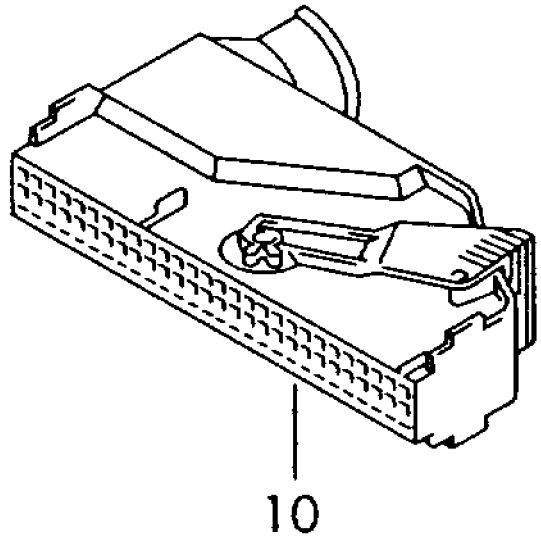
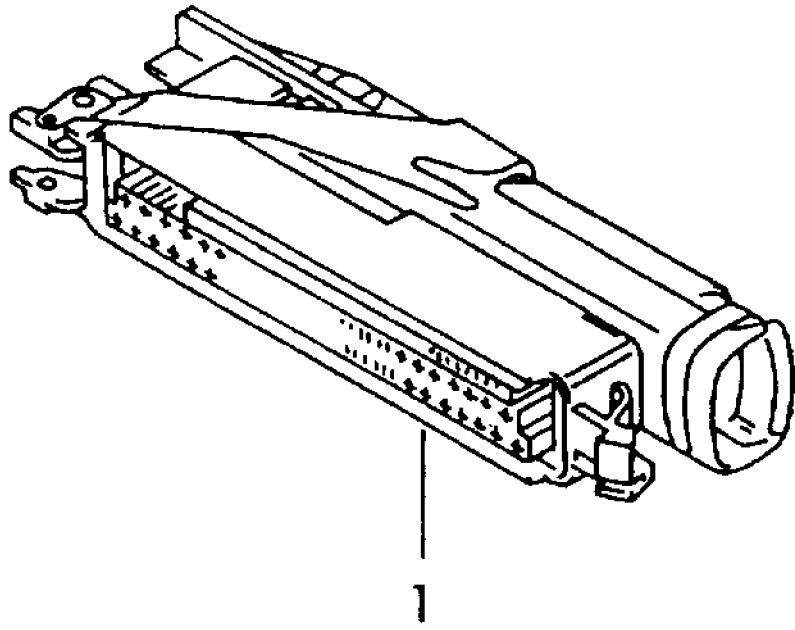




# ETKA

Model	Year	MG	SG	Illustration	Restrictions	UPD	9:42	12.02.2009
EL	2008	9	71	973-10		739		





# ETKA

Model	Year	MG	SG	Illustration	Restrictions	UPD	9:42	12.02.2009
EL	2008	9	71	973-10		739		

Pos	Part Number	Description	Remark	Qty	Model
1	4A0 972 785	plug housing  plug housing  flat contact housing with gasket for single wiring:	83-pin 84-pin  83-pin  83-pin black 000 979 121 000 979 133 000 979 133 A 000 979 225 000 979 225 A	X   X X X X X	1,0 1,0 1,0 2,5 2,5
10	4E0 971 971	plug housing  flat connector housing control unit for driver/front passenger and side airbags cable output: for single wiring:	84-pin  84-pin yellow/brown angled 000 979 010 A 000 979 010 D	X   X X	0,5 0,5
(10)	7L0 972 571	flat connector housing control unit for driver/front passenger and side airbags cable output: for single wiring:	84-pin yellow/brown straight 000 979 010 A 000 979 010 D	X   X X	0,5 0,5
(10)	3D0 972 571	flat connector housing control unit for driver/front passenger and side airbags for single wiring:	84-pin yellow/green 000 979 010 A 000 979 010 D	X   X X	0,5 0,5
(10)	8N0 972 571	flat connector housing control unit for driver/front passenger and side airbags for single wiring:	84-pin yellow/red 000 979 010 A 000 979 010 D	X   X X	0,5 0,5