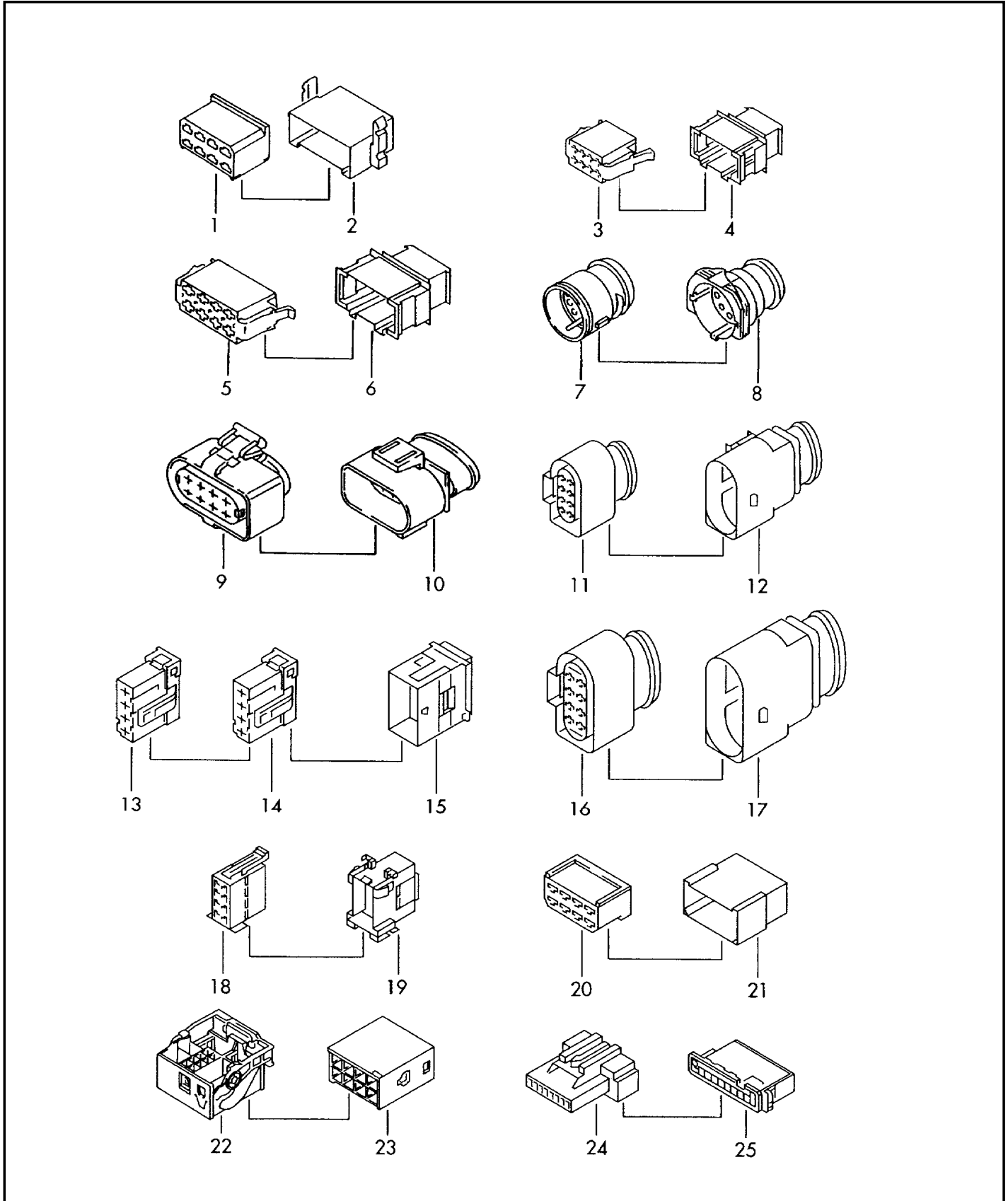




ETKA

Model	Year	MG	SG	Illustration	Restrictions	UPD	9:16	12.02.2009
EL	2008	9	71	971-30		739		





ETKA

Model	Year	MG	SG	Illustration	Restrictions	UPD	9:16	12.02.2009
EL	2008	9	71	971-30		739		

Pos	Part Number	Description	Remark	Qty	Model
1	411 971 971	plug housing flat contact housing for single wiring:	8 pin 8 pin natural 000 979 107 000 979 204 000 979 402	X X X X	1,0 2,5 6,0
2	--- --- ---	no longer available	8 pin natural	X	
3	1J0 972 724	flat contact housing with contact locking mechanism for single wiring:	8 pin black 000 979 133 000 979 133 A 000 979 225 000 979 225 A	X X X X	1,0 1,0 2,5 2,5
(3)	191 972 724	matching contact housing: flat contact housing for single wiring:	1J0 972 734 8 pin black 000 979 133 000 979 133 A 000 979 225 000 979 225 A	X X X X	1,0 1,0 2,5 2,5
(3)	3B0 972 724	matching contact housing: flat contact housing with contact locking mechanism for single wiring:	191 972 734 8 pin black 000 979 131 000 979 131 A	X X	1,0 1,0
4	1J0 972 734	matching contact housing: flat contact housing for single wiring:	3B0 972 734 8 pin black 000 979 134 000 979 134 A	X X	1,0 1,0
(4)	191 972 734	matching contact housing: flat contact housing for single wiring:	1J0 972 724 8 pin black 000 979 129 000 979 219	X X	1,0 2,5
(4)	3B0 972 734	matching contact housing: flat contact housing for single wiring:	191 972 724 8 pin black 000 979 132 000 979 132 A	X X	1,0 1,0
5	1J0 972 774	matching contact housing: flat contact housing for single wiring:	1J0 972 784 8 pin black 000 979 135 000 979 227	X X	1,0 2,5



ETKA

Model	Year	MG	SG	Illustration	Restrictions	UPD	9:16	12.02.2009
EL	2008	9	71	971-30		739		

Pos	Part Number	Description	Remark	Qty	Model
6	191 972 784	flat contact housing for single wiring:	8 pin black 000 979 130 000 979 219 000 979 302	X X X	1,0 2,5 4,0
		matching contact housing:	1J0 972 774		
(6)	1J0 972 784	flat contact housing for single wiring:	8 pin 000 979 136 000 979 228	1 X X	1,0 2,5
		matching contact housing:	1J0 972 774		
7	443 972 983	round connector housing for single wiring:	8 pin black 000 979 118 000 979 118 A 000 979 215 000 979 215 A	X X X X X	1,0 1,0 2,5 2,5
		matching contact housing:	443 972 984		
8	443 972 984	rd. connector sleeve housing for single wiring:	8 pin black 000 979 117 000 979 117 A 000 979 213 000 979 213 A	X X X X X	1,0 1,0 2,5 2,5
		matching contact housing:	443 972 983		
9	3A0 973 734	flat contact housing for single wiring:	8 pin black 000 979 133 000 979 133 A	X X X	1,0 1,0
		matching contact housing:	3A0 973 834	X	
10	3A0 973 834	flat connector housing for single wiring:	8 pin black 000 979 129 000 979 129 A	X X X	1,0 1,0
		matching contact housing:	3A0 973 734	X	
11	1J0 973 714	flat contact housing for single wiring:	8 pin black 000 979 131 000 979 131 A	X X X	1,0 1,0
		matching contact housing:	1J0 973 814		
12	1J0 973 814	flat contact housing for single wiring:	8 pin black 000 979 132 000 979 132 A	X X X	1,0 1,0
		matching contact housing:	1J0 973 714		
13	3B0 937 713	flat contact housing with contact locking mechanism use if required: for single wiring:	4 pin black/violet 3B0 937 714 000 979 131 000 979 133 000 979 133 A	X X X X X	1,0 1,0 1,0
		matching contact housing:	3B0 937 741		



ETKA

Model	Year	MG	SG	Illustration	Restrictions	UPD	9:16	12.02.2009
EL	2008	9	71	971-30		739		

Pos	Part Number	Description	Remark	Qty	Model
14	3B0 937 714	flat contact housing with contact locking mechanism use if required: for single wiring: matching contact housing:	4 pin black/blue 3B0 937 713 000 979 131 000 979 133 000 979 133 A 3B0 937 741	X X X X X	1,0 1,0 1,0
15	3B0 937 741	flat connector housing with contact locking mechanism for single wiring: matching contact housing: use if required:	black/blue 000 979 134 000 979 134 A 000 979 136 000 979 216 000 979 228 3B0 937 713 3B0 937 714	X X X X X X 1 1	1,0 1,0 1,0 2,5 2,5
16	8D0 973 734	flat contact housing for single wiring: matching contact housing:	8 pin black 000 979 133 000 979 133 A 000 979 225 000 979 225 A 8D0 973 834	X X X X X	1,0 1,0 2,5 2,5
17	8D0 973 834	flat contact housing for single wiring: matching contact housing:	8 pin black 000 979 134 000 979 134 A 000 979 226 000 979 226 A 8D0 973 734	X X X X X	1,0 1,0 2,5 2,5
18	2D0 971 989 BN	flat contact housing for single wiring: matching contact housing:	8 pin black 000 979 133 000 979 133 A 000 979 225 000 979 225 A 2D0 971 989 CL	X X X X X	1,0 1,0 2,5 2,5
19	2D0 971 989 CL	flat contact housing for single wiring: matching contact housing:	8 pin black 000 979 138 000 979 233 2D0 971 989 BN	X X X	1,0 2,5
20	2D0 971 989 CA	flat contact housing for single wiring: matching contact housing:	8 pin natural 000 979 107 000 979 204 000 979 402 2D0 971 989 J	X X X X X	1,0 2,5 6,0



ETKA

Model	Year	MG	SG	Illustration	Restrictions	UPD	9:16	12.02.2009
EL	2008	9	71	971-30		739		

Pos	Part Number	Description	Remark	Qty	Model
21	2D0 971 989 J	flat contact housing for single wiring: matching contact housing:	8 pin natural 000 979 104 000 979 203 000 979 409 2D0 971 989 CA	X X X X X	1,0 2,5 6,0
22	3B7 035 444	flat contact housing with additional contact lock and additional connector housing mountings radio use if required: matching contact housing: matching contact housing: matching contact housing: for single wiring:	8 pin black 3B7 035 447 3B7 035 447 A 3B7 035 447 B 000 979 133 000 979 133 A 000 979 225 000 979 225 A	X 1 1 1 X X X X	1,0 1,0 2,5 2,5
23	3B7 035 447	flat contact housing with contact locking mechanism radio for single wiring: matching contact housing:	8 pin brown 000 979 133 000 979 133 A 000 979 225 000 979 225 A 3B7 035 444	X X X X X	1,0 1,0 2,5 2,5
24	8E0 972 576	flat contact housing for single wiring: matching contact housing:	8 pin black 000 979 012 000 979 012 A 3D0 972 708	1 X X	0,5 0,5
25	3D0 972 708	flat contact housing for single wiring: matching contact housing:	8 pin black 000 979 009 000 979 009 A 8E0 972 576	1 X X	0,5 0,5