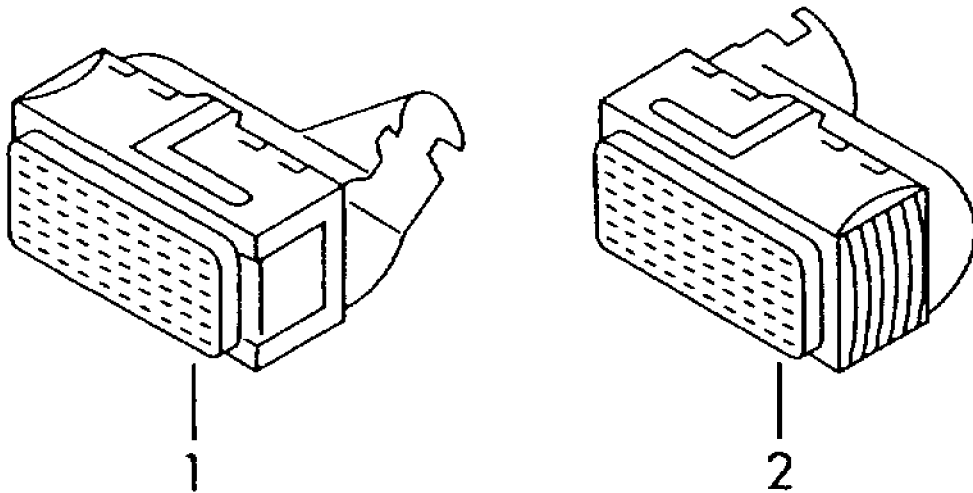




ETKA

Model	Year	MG	SG	Illustration	Restrictions	UPD	9:40	12.02.2009
EL	2008	9	71	972-97		739		





ETKA

Model	Year	MG	SG	Illustration	Restrictions	UPD	9:40	12.02.2009
EL	2008	9	71	972-97		739		

Pos	Part Number	Description	Remark	Qty	Model
1	4E0 906 379	plug housing flat contact housing with contact locking mechanism for single wiring: use if required:	60-pin 60-pin black 000 979 030 000 979 246 7L0 971 904 7L0 971 904 A	1 X X X X	0,5 1,5 1,5 0,63
2	3C0 906 379	flat contact housing for single wiring: use if required:	60-pin black 000 979 030 000 979 246 7L0 971 904 7L0 971 904 A	1 X X X X	0,5 1,5 1,5 0,63
(2)	07Z 906 379 A	flat contact housing control unit for single wiring: use if required:	60-pin black 000 979 030 000 979 246 7L0 971 904 7L0 971 904 A	1 X X X X	0,5 1,5 1,5 MM 0,63 MM
(2)	3B0 906 379 B	flat contact housing for single wiring: use if required:	60-pin 000 979 030 000 979 246 7L0 971 904 7L0 971 904 A	1 X X X X	0,5 1,5 1,5 MM 0,63 MM
(2)	8K0 906 379	flat contact housing with contact locking mechanism for single wiring: use if required:	60-pin black 000 979 030 000 979 246 7L0 971 904 7L0 971 904 A	1 X X X X	0,5 1,5 1,5 MM 0,63 MM
-	7L0 971 904	sealing pin	1,5 MM	X	
-	7L0 971 904 A	sealing pin	0,63 MM	X	