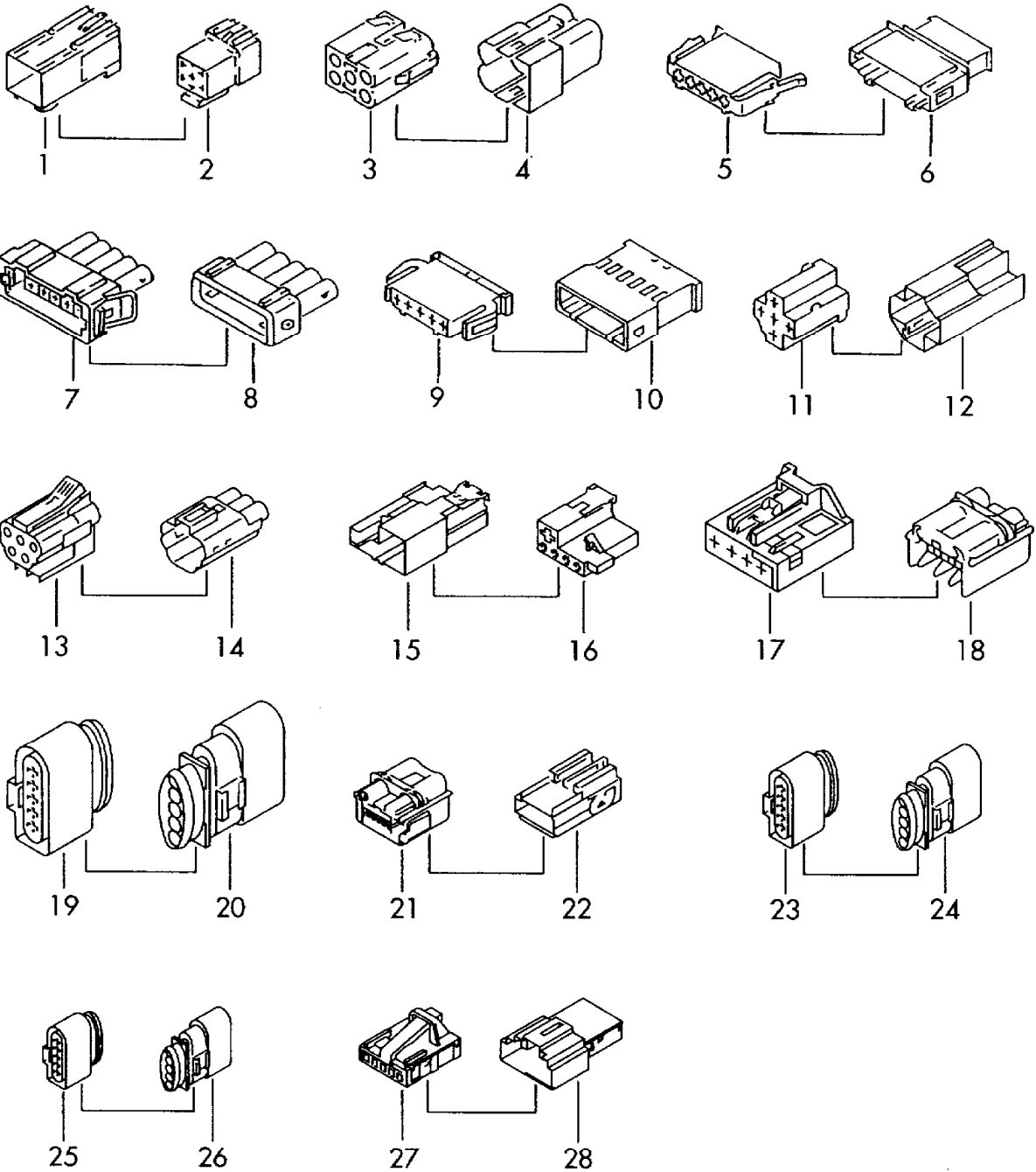




ETKA

Model	Year	MG	SG	Illustration	Restrictions	UPD	9:10	12.02.2009
EL	2008	9	71	970-80		739		





ETKA

Model	Year	MG	SG	Illustration	Restrictions	UPD	9:10	12.02.2009
EL	2008	9	71	970-80		739		

Pos	Part Number	Description	Remark	Qty	Model
1	893 971 835	plug housing flat connector housing for single wiring: matching contact housing:	5 pin 5 pin black 000 979 103 000 979 233 893 971 836	X X X	1,0 2,5
2	893 971 836	flat contact housing for single wiring: matching contact housing:	5 pin black 000 979 133 000 979 133 A 000 979 135 000 979 225 000 979 225 A 893 971 835	X X X X X X	1,0 1,0 1,0 2,5 2,5
3	533 972 523	rd. connector sleeve housing for single wiring: matching contact housing:	5 pin old white 000 979 110 000 979 211 000 979 305 533 972 524	X X X X	1,0 2,5 4,0
4	533 972 524	round connector housing for single wiring: matching contact housing:	5 pin old white 000 979 111 000 979 210 533 972 523	X X X	1,0 2,5
5	6N0 972 705	flat contact housing for single wiring: matching contact housing:	5 pin black 000 979 021 000 979 021 A 000 979 133 000 979 133 A 000 979 225 000 979 225 A 191 972 715	1 X X X X X X	0,5 0,5 1,0 1,0 2,5 2,5
6	191 972 715	flat connector housing for single wiring: matching contact housing:	5 pin black 000 979 129 000 979 219 6N0 972 705	X X X	1,0 2,5
7	357 972 755	flat contact housing for single wiring: matching contact housing:	5 pin black 000 979 133 000 979 133 A 000 979 135 000 979 225 000 979 225 A 357 972 765	X X X X X X	1,0 1,0 1,0 2,5 2,5
8	357 972 765	flat connector housing for single wiring: matching contact housing:	5 pin black 000 979 129 000 979 219 357 972 755	X X X	1,0 2,5



ETKA

Model	Year	MG	SG	Illustration	Restrictions	UPD	9:10	12.02.2009
EL	2008	9	71	970-80		739		

Pos	Part Number	Description	Remark	Qty	Model
9	893 971 635	flat contact housing for single wiring:	5 pin black 000 979 133 000 979 133 A 000 979 135 000 979 225 000 979 225 A	X X X X X	1,0 1,0 1,0 2,5 2,5
		matching contact housing:	4B0 971 995	X	
10	4B0 971 995	flat connector housing for single wiring:	5 pin black 000 979 134 000 979 134 A 000 979 226 000 979 226 A	X X X X	1,0 1,0 2,5 2,5
		matching contact housing:	893 971 635	X	
(10)	893 971 995	flat contact housing for single wiring:	5 pin black 000 979 103 000 979 233	X X	1,0 2,5
		matching contact housing:	893 971 635	X	
11	1H0 972 755	flat contact housing for single wiring:	5 pin black 000 979 133 000 979 133 A 000 979 225 000 979 225 A	X X X X	1,0 1,0 2,5 2,5
		matching contact housing:	1H0 972 765	X	
12	1H0 972 765	flat contact housing for single wiring:	5 pin black 000 979 129 000 979 129 A 000 979 219	X X X	1,0 1,0 2,5
		matching contact housing:	1H0 972 755	X	
13	7M0 906 235 C	rd. connector sleeve housing for single wiring:	5 pin red/black 000 979 148 000 979 240	X X	1,0 2,5
		matching contact housing:	7M0 972 732	X	
14	7M0 972 732	flat contact housing for single wiring:	5 pin red/black 000 979 149 000 979 241	X X	1,0 2,5
		matching contact housing:	7M0 906 235 C	X	
15	1J0 973 303	flat contact housing for single wiring:	5 pin black 000 979 132 000 979 132 A 000 979 228	X X X	1,0 1,0 2,5
		matching contact housing:	1J0 973 333	X	



ETKA

Model	Year	MG	SG	Illustration	Restrictions	UPD	9:10	12.02.2009
EL	2008	9	71	970-80		739		

Pos	Part Number	Description	Remark	Qty	Model
(15)	1J0 973 303 A	flat contact housing for single wiring:	5 pin 000 979 132 000 979 132 A 000 979 228	1 X X X	1,0 1,0 2,5
		matching contact housing:	1J0 973 333 A	X	
(15)	1J0 973 303 M	flat contact housing with retainer guide for single wiring:	5 pin 000 979 132 000 979 132 A 000 979 228	1 X X X	1,0 1,0 2,5
		matching contact housing:	1J0 973 333 M	X	
16	1J0 973 333	flat contact housing for single wiring:	5 pin black 000 979 019 000 979 019 A 000 979 131 000 979 131 A 000 979 227	X X X X X X	0,35 0,35 1,0 1,0 2,5
		matching contact housing:	1J0 973 303	X	
(16)	1J0 973 333 A	flat contact housing for single wiring:	5 pin brown 000 979 019 000 979 019 A 000 979 131 000 979 131 A 000 979 227	X X X X X X	0,35 0,35 1,0 1,0 2,5
		matching contact housing:	1J0 973 303 A	X	
(16)	1J0 973 333 M	flat contact housing for single wiring:	5 pin black 000 979 019 000 979 019 A 000 979 131 000 979 131 A 000 979 227	X X X X X X	0,35 0,35 1,0 1,0 2,5
		matching contact housing:	1J0 973 303 M	X	
17	6Q0 972 705	flat contact housing for single wiring:	5 pin black 000 979 025 000 979 025 A 000 979 025 C 000 979 150 000 979 150 A 000 979 150 C	X X X X X X X	0,5 0,5 0,5 1,0 1,0 1,0
		matching contact housing:	6Q0 972 711	X	
18	6Q0 972 711	flat contact housing for single wiring:	5 pin black/violet 000 979 020 000 979 020 A	X X X	0,5 0,5
		matching contact housing:	6Q0 972 705	X	



ETKA

Model	Year	MG	SG	Illustration	Restrictions	UPD	9:10	12.02.2009
EL	2008	9	71	970-80		739		

Pos	Part Number	Description	Remark	Qty	Model
19	6N0 973 755	flat contact housing for single wiring:	5 pin black 000 979 135 000 979 227	1 X X	1,0 2,5
		matching contact housing:	6N0 973 855		
(19)	1K0 919 231	flat contact housing for single wiring:	5 pin black 000 979 025 000 979 025 A 000 979 025 C 000 979 150 000 979 150 A 000 979 150 C 000 979 243	1 X X X X X X X	0,5 0,5 0,5 1,0 1,0 1,0
		matching contact housing:	8K0 973 805		
(19)	8K0 973 705	flat contact housing with contact locking mechanism for single wiring:	5 pin black 000 979 025 000 979 025 A 000 979 025 C 000 979 150 000 979 150 A 000 979 150 C	1 X X X X X X	0,5 0,5 0,5 1,0 1,0 1,0
		matching contact housing:	8K0 973 805		
20	6N0 973 855	flat connector housing with contact locking mechanism for single wiring:	5 pin black 000 979 136 000 979 228 000 979 307	1 X X X	1,0 2,0 4,0
		matching contact housing:	6N0 973 755		
(20)	8K0 973 805	flat connector housing for single wiring:	5 pin black 000 979 228 000 979 132 000 979 132 A 000 979 136	1 X X X X	
		matching contact housing:	1K0 919 231		
21	4E0 973 205	flat contact housing with contact locking mechanism for single wiring:	5 pin yellow/violet 000 979 009 000 979 009 A	1 X X	0,5 0,5
		matching contact housing:	4E0 973 805		
(21)	4E0 973 205 A	flat contact housing with contact locking mechanism for single wiring:	5 pin yellow/green 000 979 009 000 979 009 A	1 X X	0,5 0,5
(21)	4F0 973 205	flat contact housing for single wiring:	5 pin black/violet 000 979 009 000 979 009 A	1 X X	0,5 0,5
		matching contact housing:	4F0 973 805		



ETKA

Model	Year	MG	SG	Illustration	Restrictions	UPD	9:10	12.02.2009
EL	2008	9	71	970-80		739		

Pos	Part Number	Description	Remark	Qty	Model
	4F0 973 205 A	flat contact housing	5 pin black/brown	1	
		for single wiring:	000 979 009	X	0,5
		counterpart to:	000 979 009 A	X	0,5
			4F0 973 805 A		
22	4E0 973 805	flat connector housing	5 pin yellow/violet	1	
		for single wiring:	000 979 012	X	0,5
		matching contact housing:	000 979 012 A	X	0,5
			4E0 973 205		
(22)	4E0 973 805 A	flat connector housing	5 pin yellow/green	1	
		for single wiring:	000 979 012	X	0,5
		counterpart to:	000 979 012 A	X	0,5
			4E0 973 205 A		
(22)	4F0 973 805	flat connector housing with contact locking mechanism	5 pin black/violet	1	
		for single wiring:	000 979 012	X	0,5
		matching contact housing:	000 979 012 A	X	0,5
			4F0 973 205		
(22)	4F0 973 805 A	flat connector housing with contact locking mechanism	5 pin black/brown	1	
		for single wiring:	000 979 012	X	0,5
		counterpart to:	000 979 012 A	X	0,5
			4F0 973 205 A		
23	4D0 973 725	flat contact housing	5 pin black	X	
		for single wiring:	000 979 021	X	0,5
			000 979 021 A	X	0,5
			000 979 133	X	1,0
			000 979 133 A	X	1,0
			000 979 133 B	X	1,0
			000 979 133 AB	X	1,0
			000 979 225	X	2,5
			000 979 225 A	X	2,5
		matching contact housing:	6X0 973 825	1	
(23)	6X0 973 725 A	flat contact housing with contact locking mechanism	5 pin brown	1	
		for single wiring:	000 979 021	X	0,5
			000 979 021 A	X	0,5
			000 979 133	X	1,0
			000 979 133 A	X	1,0
			000 979 133 B	X	1,0
			000 979 133 AB	X	1,0
			000 979 225	X	2,5
			000 979 225 A	X	2,5
		matching contact housing:	6X0 973 825 A		



ETKA

Model	Year	MG	SG	Illustration	Restrictions	UPD	9:10	12.02.2009
EL	2008	9	71	970-80		739		

Pos	Part Number	Description	Remark	Qty	Model
24	6X0 973 825	flat contact housing for single wiring:	5 pin black 000 979 134 000 979 134 A 000 979 226 000 979 226 A	X X X X	1,0 1,0 2,5 2,5
		matching contact housing:	4D0 973 725	1	
(24)	6X0 973 825 A	flat contact housing for single wiring:	5 pin 000 979 022 000 979 022 A 000 979 134 000 979 134 A 000 979 226 000 979 226 A	1 X X X X X X	0,5 0,5 1,0 1,0 2,5 2,5
		matching contact housing:	6X0 973 725 A		
25	1J0 973 705	flat contact housing with contact locking mechanism for single wiring:	5 pin black 000 979 019 000 979 019 A 000 979 131 000 979 131 A	X X X X	0,35 0,35 1,0 1,0
		matching contact housing:	6N0 973 805		
26	6N0 973 805	flat contact housing for single wiring:	5 pin black 000 979 020 000 979 020 A 000 979 132 000 979 132 A	1 X X X X	0,35 0,35 1,0 1,0
		matching contact housing:	1J0 973 705		
27	4B0 973 605	flat contact housing for single wiring:	5 pin black 000 979 018 000 979 018 A	X X	0,5 0,5
		matching contact housing:	4B0 973 705		
(27)	8E0 973 605	flat contact housing for single wiring:	5 pin black 000 979 009 000 979 009 A	1 X X	0,5 0,5
		matching contact housing:	8E0 973 705		
(27)	8R0 973 605	flat contact housing for single wiring:	5 pin black 000 979 009 000 979 009 A	1 X X	0,5 0,5
		matching contact housing:	8R0 973 705		
28	4B0 973 705	flat contact housing for single wiring:	5 pin 000 979 017 000 979 017 A	1 X X	0,5 0,5
		matching contact housing:	4B0 973 605		



ETKA

Model	Year	MG	SG	Illustration	Restrictions	UPD	9:10	12.02.2009
EL	2008	9	71	970-80		739		

Pos	Part Number	Description	Remark	Qty	Model
(28)	8E0 973 705	flat contact housing	5 pin black	1	
		for single wiring:	000 979 012	X	0,5
		matching contact housing:	000 979 012 A	X	0,5
			8E0 973 605		
(28)	8R0 973 705	flat contact housing	5 pin black	1	
		for single wiring:	000 979 012	X	0,5
		matching contact housing:	000 979 012 A	X	0,5
			8R0 973 605		