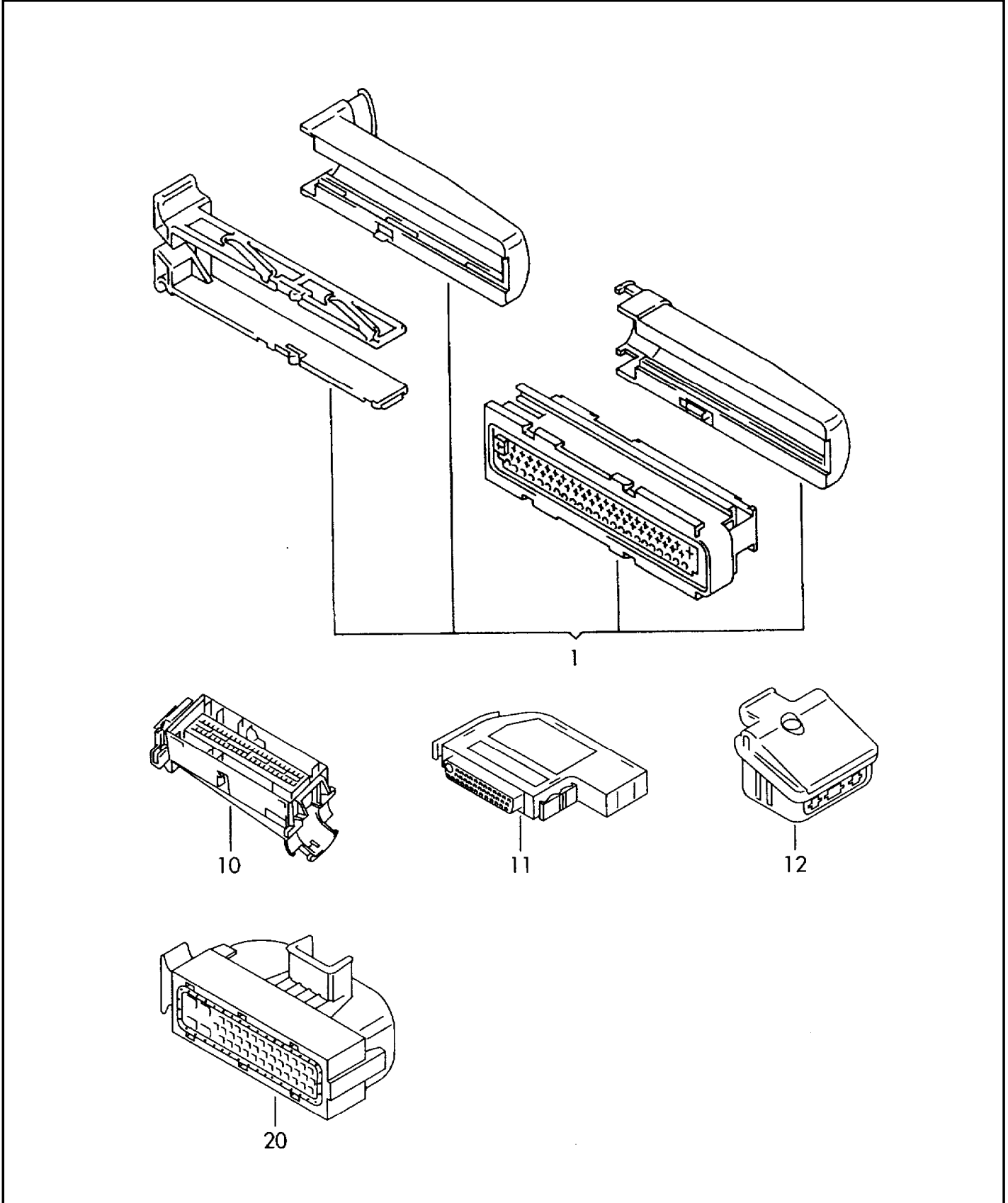




ETKA

Model	Year	MG	SG	Illustration	Restrictions	UPD	9:37	12.02.2009
EL	2008	9	71	972-85		739		





ETKA

Model	Year	MG	SG	Illustration	Restrictions	UPD	9:37	12.02.2009
EL	2008	9	71	972-85		739		

Pos	Part Number	Description	Remark	Qty	Model
1	1H0 906 370 H	plug housing flat contact housing with gasket for single wiring:	45 pin 45 pin black 000 979 131 000 979 131 A 000 979 133 000 979 133 A 000 979 225 000 979 225 A	X X X X X X	1,0 1,0 1,0 1,0 2,5 2,5
(1)	1H0 906 370 M	flat contact housing with gasket for single wiring:	45 pin black 000 979 131 000 979 131 A 000 979 133 000 979 133 A 000 979 225 000 979 225 A	X X X X X X	1,0 1,0 1,0 1,0 2,5 2,5
10	4E0 906 230	plug housing flat contact housing for single wiring:	46-pin 46-pin black 000 979 009 000 979 009 A	2 X X	0,5 0,5
11	4E0 972 702	flat contact housing for single wiring:	46-pin black 000 979 031 A	1 X	0,5
12	6Q1 937 701	flat connector housing with contact locking mechanism for contact housing:	46-pin black 6Q0 937 720 6Q0 937 721 6Q0 937 721 A 6Q0 937 721 B 6Q0 937 721 C 6Q0 937 724 6Q0 937 726 D	1	
12	6Q1 937 701	flat connector housing with contact locking mechanism for single wiring:	46-pin black 000 937 019 000 937 019 A 000 937 021 000 937 021 A 000 937 131 000 979 131 A 000 979 133 000 979 133 A 000 979 135 000 979 225 000 979 225 A 000 979 227 000 979 227 A 000 979 306 000 979 407	1	



ETKA

Model	Year	MG	SG	Illustration	Restrictions	UPD	9:37	12.02.2009
EL	2008	9	71	972-85		739		

Pos	Part Number	Description	Remark	Qty	Model
20	1J0 973 047	plug housing flat contact housing with contact locking mechanism for single wiring:	47 POLIG 47-pin black 000 979 131 000 979 131 A 000 979 135 000 979 227 000 979 306 000 979 407	X X X X X X	1,0 1,0 1,0 2,5 4,0 6,0
(20)	6Q0 973 047	flat contact housing with contact locking mechanism for single wiring:	47-pin black 000 979 019 000 979 021 000 979 023 000 979 131 000 979 131 A 000 979 133 000 979 133 A 000 979 135 000 979 225 000 979 225 A 000 979 227 000 979 306	1 X X X X X X X X X X X X	0,5 0,5 0,5 1,0 1,0 1,0 1,0 1,0 2,5 2,5 2,5 4,0
(20)	6N0 973 047	flat contact housing with contact locking mechanism for single wiring:	47-pin black 000 979 019 000 979 021 000 979 023 000 979 131 000 979 131 A 000 979 133 000 979 133 A 000 979 135 000 979 225 000 979 225 A 000 979 227 000 979 306	1 X X X X X X X X X X X X	0,5 0,5 0,5 1,0 1,0 1,0 1,0 1,0 2,5 2,5 2,5 4,0
(20)	7L0 973 047	flat contact housing with contact locking mechanism for single wiring:	47-pin black 000 979 019 000 979 021 000 979 023 000 979 131 000 979 131 A 000 979 133 000 979 133 A 000 979 135 000 979 225 000 979 225 A 000 979 227 000 979 306	1 X X X X X X X X X X X X	0,5 0,5 0,5 1,0 1,0 1,0 1,0 1,0 2,5 2,5 2,5 4,0



ETKA

Model	Year	MG	SG	Illustration	Restrictions	UPD	9:37	12.02.2009
EL	2008	9	71	972-85		739		

Pos	Part Number	Description	Remark	Qty	Model
(20)	8K0 973 373	flat contact housing with contact locking mechanism for single wiring:	47-pin black 000 979 019 000 979 021 000 979 023 000 979 131 000 979 131 A 000 979 133 000 979 133 A 000 979 135 000 979 225 000 979 225 A 000 979 227 000 979 306	1 X X X X X X X X X X X X X X	0,5 0,5 0,5 1,0 1,0 1,0 1,0 1,0 2,5 2,5 2,5 4,0