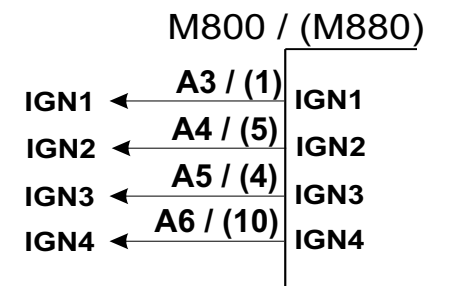
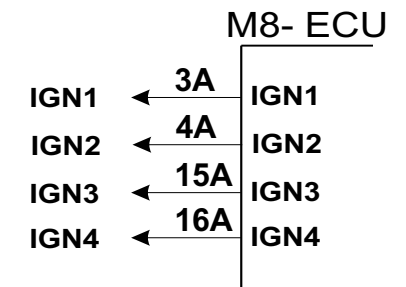
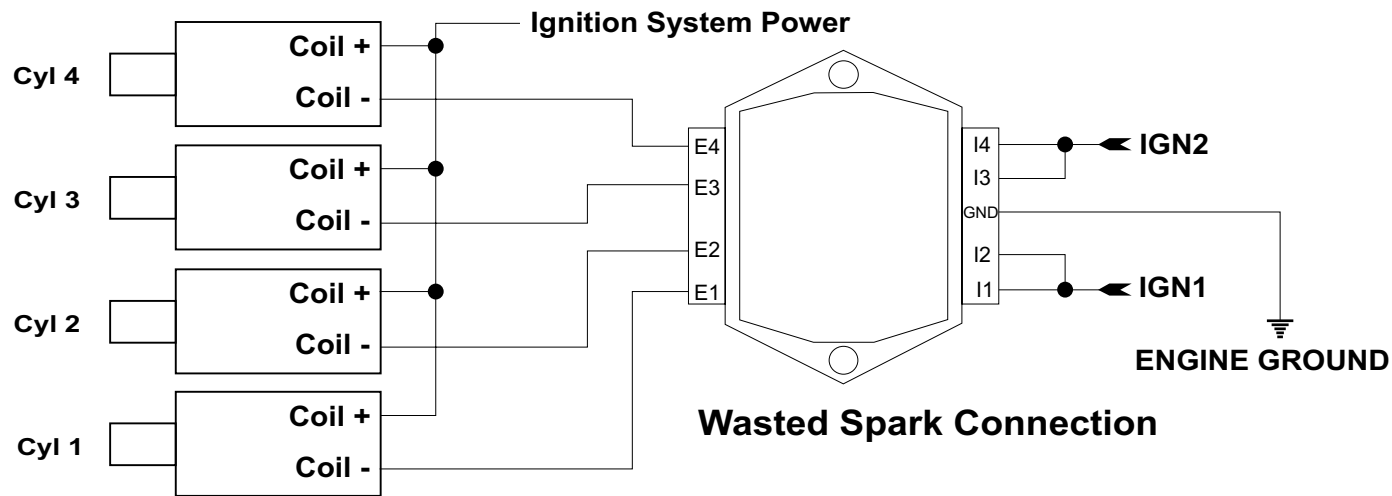


Note: M4-8 can only be used in Wasted Spark Connection.



Setup	ign	1
	COIL	4 (normal connection) 2 (wasted spark connection)
	dELL	1.8 (standard coil)

**MoTeC**

Title **Subaru Diamond Module**

Sheet No

Drawing No

Date 30/11/2001

Drawn ST

App AD

Products ECU

1 of 1

**M34**