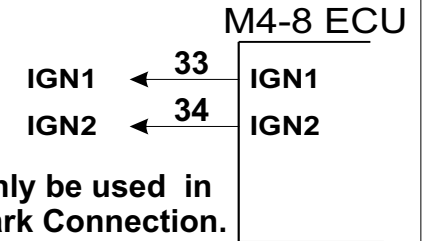
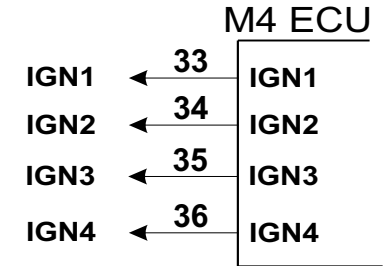
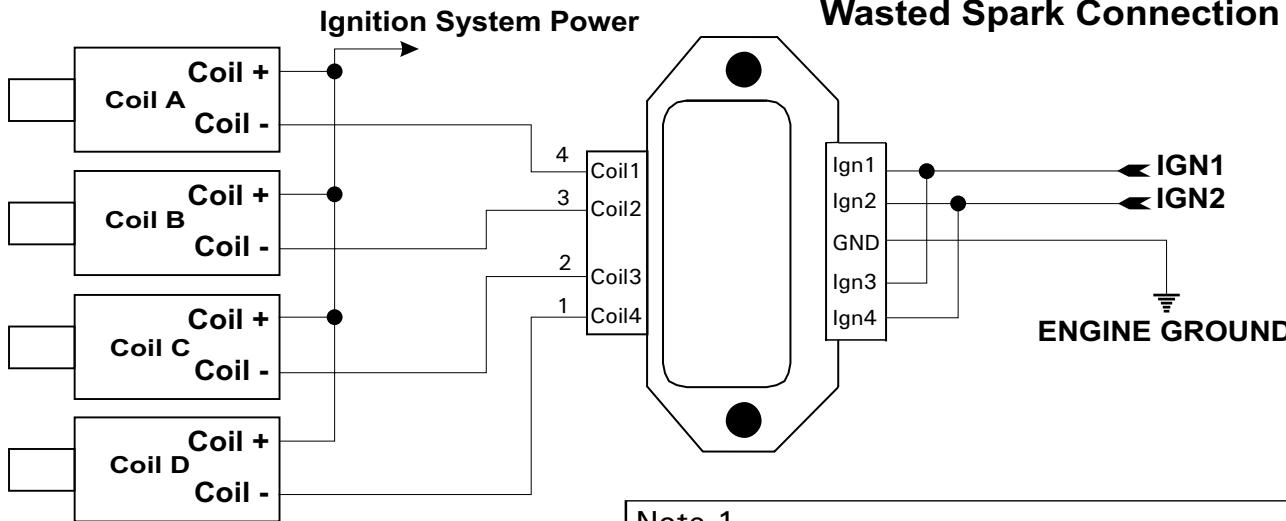


Coils in Firing Sequence

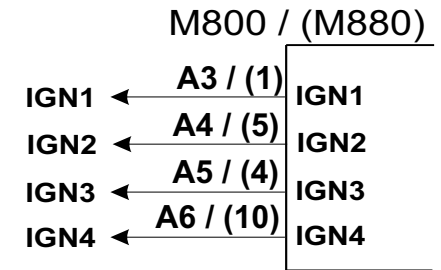
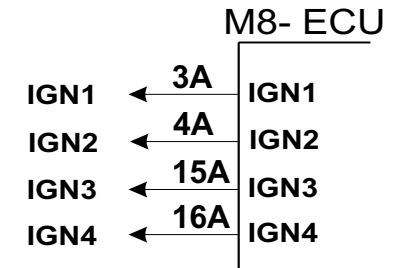
Normal Connection



Wasted Spark Connection



Coils in Firing Sequence



Note 1
 The Setup Parameter dELL is dependant on the coil. Typically a value of 3.0 is suitable for normal coils. For small coil on plug coil use 1.8.
 Important Using an incorrect value may cause overheating of the ignition module.

Setup	ign	1
	COIL	4 (normal connection) 2 (wasted spark connection)
	dELL	Note 1

MoTeC

Title **Bosch 0 227 100 211 Module**

Date 03/12/2001 Drawn ST App AD Products ECU

Sheet No

Drawing No

1 of 1

M37