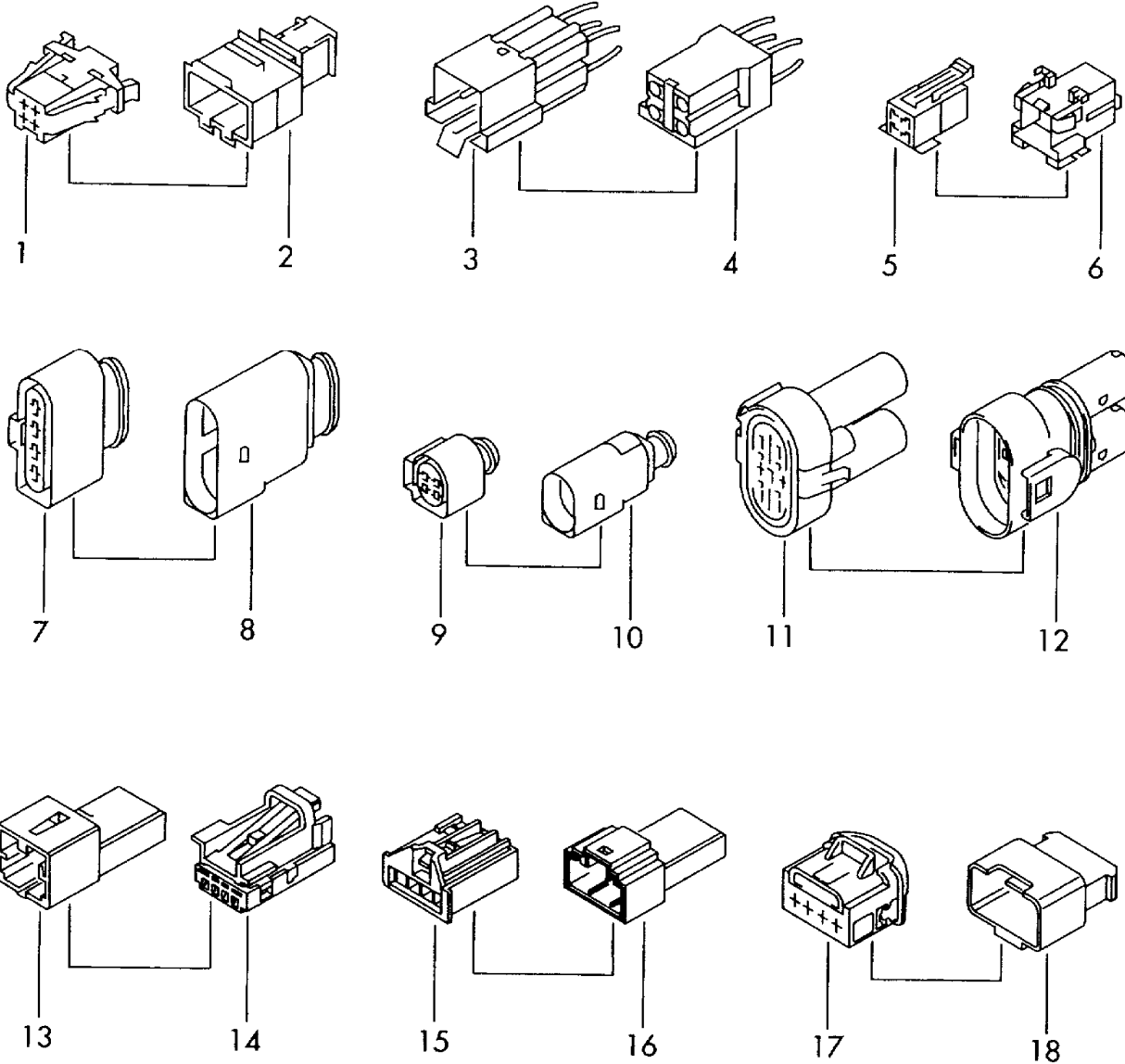




ETKA

Model	Year	MG	SG	Illustration	Restrictions	UPD	9:09	12.02.2009
EL	2008	9	71	970-61		739		





ETKA

Model	Year	MG	SG	Illustration	Restrictions	UPD	9:09	12.02.2009
EL	2008	9	71	970-61		739		

Pos	Part Number	Description	Remark	Qty	Model
1	3B0 972 722	plug housing flat contact housing for single wiring:	4 pin 4 pin black 000 979 019 000 979 019 A 000 979 131 000 979 131 A	X X X X X	0,35 0,35 1,0 1,0
		matching contact housing:	3B0 972 732		
2	3B0 972 732	flat contact housing for contact:	4 pin black 000 979 132 000 979 132 A	X X X	1,0 1,0
		matching contact housing:	3B0 972 722		
3	2TA 973 104	round connector housing matching contact housing:	4 pin grey 2TA 973 114	X	L 80
4	2TA 973 114	rd. connector sleeve housing matching contact housing:	4 pin grey 2TA 973 104	X	L 80
5	2D0 971 989 AS	flat connector housing for single wiring:	4 pin black 000 979 133 000 979 133 A 000 979 225 000 979 225 A	X X X X X	1,0 1,0 2,5 2,5
		matching contact housing:	2D0 971 989 C		
6	2D0 971 989 C	flat connector housing for single wiring:	4 pin black 000 979 134 000 979 134 A 000 979 226 000 979 226 A	X X X X X	1,0 1,0 2,5 2,5
		matching contact housing:	2D0 971 989 AS		
(7)	1J0 973 704	flat contact housing with contact locking mechanism for single wiring:	4 pin black 000 979 019 000 979 019 A 000 979 038 A 000 979 038 D 000 979 131 000 979 131 A 000 979 253	1 X X X X X X X X	0,35 0,35 0,5 0,5 1,0 1,0 1,5
		matching contact housing:	1K0 973 804		
(7)	8K0 973 704	flat contact housing with contact locking mechanism for single wiring:	4 pin black 000 979 025 000 979 025 A 000 979 025 C 000 979 150 000 979 150 A 000 979 150 C	1 X X X X X X	0,5 0,5 0,5 1,0 1,0 1,0
		matching contact housing:	1K0 973 804		



ETKA

Model	Year	MG	SG	Illustration	Restrictions	UPD	9:09	12.02.2009
EL	2008	9	71	970-61		739		

Pos	Part Number	Description	Remark	Qty	Model
(7)	8K0 973 704 A	flat contact housing with contact locking mechanism for single wiring:	4 pin brown 000 979 025 000 979 025 A 000 979 025 C 000 979 150 000 979 150 A 000 979 150 C	1 X X X X X X	0,5 0,5 0,5 1,0 1,0 1,0
7	1J0 973 724	flat contact housing for single wiring: matching contact housing:	4 pin black 000 979 133 000 979 133 A 000 979 133 AB 000 979 225 000 979 225 A 1J0 973 824	X X X X X X	1,0 1,0 1,0 2,5 2,5
(7)	8K0 973 724	flat contact housing for single wiring: matching contact housing:	4 pin black 000 979 026 000 979 026 A 000 979 151 000 979 151 A 000 979 242 000 979 242 A 1J0 973 824	1 X X X X X X	0,5 0,5 1,0 1,0 2,5 2,5
(7)	1J0 973 724 A	flat contact housing for single wiring: matching contact housing:	4 pin brown 000 979 133 000 979 133 A 000 979 133 AB 000 979 225 000 979 225 A 1J0 973 824 A	X X X X X X	1,0 1,0 1,0 2,5 2,5
(8)	1K0 973 804	flat contact housing with contact locking mechanism for single wiring: matching contact housing:	4 pin black 000 979 132 000 979 132 A 1J0 973 704	X X X	1,0 1,0
8	1J0 973 824	flat contact housing use if required: for single wiring: matching contact housing:	4 pin black 357 972 841 000 979 134 000 979 134 A 000 979 226 000 979 226 A 1J0 973 724	X X X X X	1,0 1,0 2,5 2,5
(8)	1J0 973 824 A	flat contact housing for single wiring: matching contact housing:	4 pin brown 000 979 134 000 979 134 A 000 979 226 000 979 226 A 1J0 973 724 A	X X X X	1,0 1,0 2,5 2,5



ETKA

Model	Year	MG	SG	Illustration	Restrictions	UPD	9:09	12.02.2009
EL	2008	9	71	970-61		739		

Pos	Part Number	Description	Remark	Qty	Model
9	4B0 973 712	flat contact housing with contact locking mechanism for single wiring:	4 pin black 000 979 019 000 979 019 A 000 979 131 000 979 131 A	X X X X	0,35 0,35 1,0 1,0
		matching contact housing:	4B0 973 812		
		matching contact housing:	7L0 973 812		
(9)	4B0 973 712 A	flat contact housing with contact locking mechanism for single wiring:	4 pin black 000 979 019 000 979 019 A 000 979 131 000 979 131 A	1 X X X X	0,35 0,35 1,0 1,0
10	4B0 973 812	flat connector housing with contact locking mechanism for single wiring:	4 pin black 000 979 132 000 979 132 A	X X	1,0 1,0
		matching contact housing:	4B0 973 712		
(10)	7L0 973 812	flat connector housing with contact locking mechanism matching contact housing: for single wiring:	4 pin black 4B0 973 712 000 979 132 000 979 132 A	X X X X	1,0 1,0
11	1H0 973 204	flat contact housing for single wiring:	4 pin black 000 979 135 000 979 227 000 979 406 000 979 407	X X X X	1,0 2,5 6,0 6,0
		matching contact housing:	7M0 973 334		
(11)	1J0 906 234	flat contact housing for single wiring:	4 pin black 000 979 227 000 979 306 000 979 412	1 X X X	2,5 4,0 6,0
		matching contact housing:	1J0 906 444		
(11)	1K0 906 234	flat contact housing for single wiring:	4 pin black 000 979 243 000 979 308 000 979 417	1 X X X	2,5 4,0 6,0
		matching contact housing:	1J0 906 444		
(11)	1J0 906 234 A	flat contact housing for single wiring:	4 pin black 000 979 227 000 979 306 000 979 412	1 X X X	2,5 4,0 6,0
		matching contact housing:	1J0 906 444 A		



ETKA

Model	Year	MG	SG	Illustration	Restrictions	UPD	9:09	12.02.2009
EL	2008	9	71	970-61		739		

Pos	Part Number	Description	Remark	Qty	Model
12	7M0 973 334	flat connector housing for single wiring:	4 pin black 000 979 130 000 979 220 000 979 307 000 979 418 matching contact housing: 1H0 973 204	X X X X X	1,0 2,5 4,0 6,0
(12)	1J0 906 444	flat connector housing for single wiring:	4 pin black 000 979 228 000 979 307 000 979 418 matching contact housing: 1J0 906 234 matching contact housing: 1K0 906 234	1 X X 2	2,5 4,0 6,0
(12)	1J0 906 444 A	flat connector housing for single wiring:	4 pin black 000 979 228 000 979 307 matching contact housing: 1J0 906 234 A matching contact housing: 1K0 906 234 A	1 X X	2,5 4,0
13	4E0 971 613	flat contact housing for single wiring:	4 pin black 000 979 012 000 979 012 A matching contact housing: 8E0 972 754 matching contact housing: 8E0 973 754	1 X X	0,5 0,5
(13)	8K0 972 994	flat connector housing for single wiring:	4 pin black 000 979 012 000 979 012 A matching contact housing: 8E0 972 754 matching contact housing: 8E0 973 754 matching contact housing: 8K0 973 754	1 X X	0,5 0,5
(13)	4E0 971 613 A	flat contact housing for single wiring:	4 pin brown 000 979 012 000 979 012 A matching contact housing: 8E0 972 754 A matching contact housing: 8E0 973 754 A	1 X X	0,5 0,5
(13)	8K0 972 994 A	flat connector housing for single wiring:	4 pin brown 000 979 012 000 979 012 A matching contact housing: 8E0 972 754 matching contact housing: 8E0 973 754 matching contact housing: 8K0 973 754	1 X X	0,5 0,5
14	8E0 972 754	flat contact housing for single wiring:	4 pin black 000 979 018 000 979 018 A matching contact housing: 4E0 971 613	1 X X	0,5 0,5



ETKA

Model	Year	MG	SG	Illustration	Restrictions	UPD	9:09	12.02.2009
EL	2008	9	71	970-61		739		

Pos	Part Number	Description	Remark	Qty	Model
(14)	8E0 973 754	flat contact housing for single wiring: matching contact housing:	4 pin black 000 979 009 000 979 009 A 4E0 971 613	1 X X	0,5 0,5
(14)	8K0 973 754	flat contact housing for single wiring: matching contact housing:	4 pin black 000 979 009 000 979 009 A 4E0 971 613	1 X X	0,5 0,5
(14)	8E0 973 754 A	flat contact housing for single wiring: matching contact housing:	4 pin brown 000 979 009 000 979 009 A 4E0 971 613 A	1 X X	0,5 0,5
(14)	8K0 973 754 A	flat contact housing for single wiring: matching contact housing:	4 pin brown 000 979 009 000 979 009 A 4E0 971 613	1 X X	0,5 0,5
(14)	8E0 973 754 B	flat contact housing for single wiring:	4 pin red 000 979 009 000 979 009 A	1 X X	0,5 0,5
15	6Q0 972 704	flat contact housing with contact locking mechanism matching contact housing: for single wiring:	4 pin black 6Q0 972 714 000 979 021 000 979 133 000 979 133 A 000 979 225 000 979 225 A	1 X X X X X	0,5 1,0 1,0 2,5 2,5
16	6Q0 972 714	flat contact housing with contact locking mechanism matching contact housing: for single wiring:	4 pin black 6Q0 972 704 000 979 022 000 979 134 000 979 226	1 X X X	0,5 1,0 2,5
17	1K0 972 764	flat connector housing with contact locking mechanism for single wiring: matching contact housing:	4 pin black 000 979 022 000 979 022 A 000 979 134 000 979 134 A 1K0 972 774	1 X X X X	0,5 0,5 1,0 1,0



ETKA

Model	Year	MG	SG	Illustration	Restrictions	UPD	9:09	12.02.2009
EL	2008	9	71	970-61		739		

Pos	Part Number	Description	Remark	Qty	Model
18	1K0 972 774	flat contact housing with contact locking mechanism for single wiring:	4 pin black 000 979 026 000 979 026 A 000 979 151 000 979 151 A 000 979 242 000 979 242 A matching contact housing: 1K0 972 764	X X X X X X X	0,5 0,5 1,0 1,0 2,5 2,5