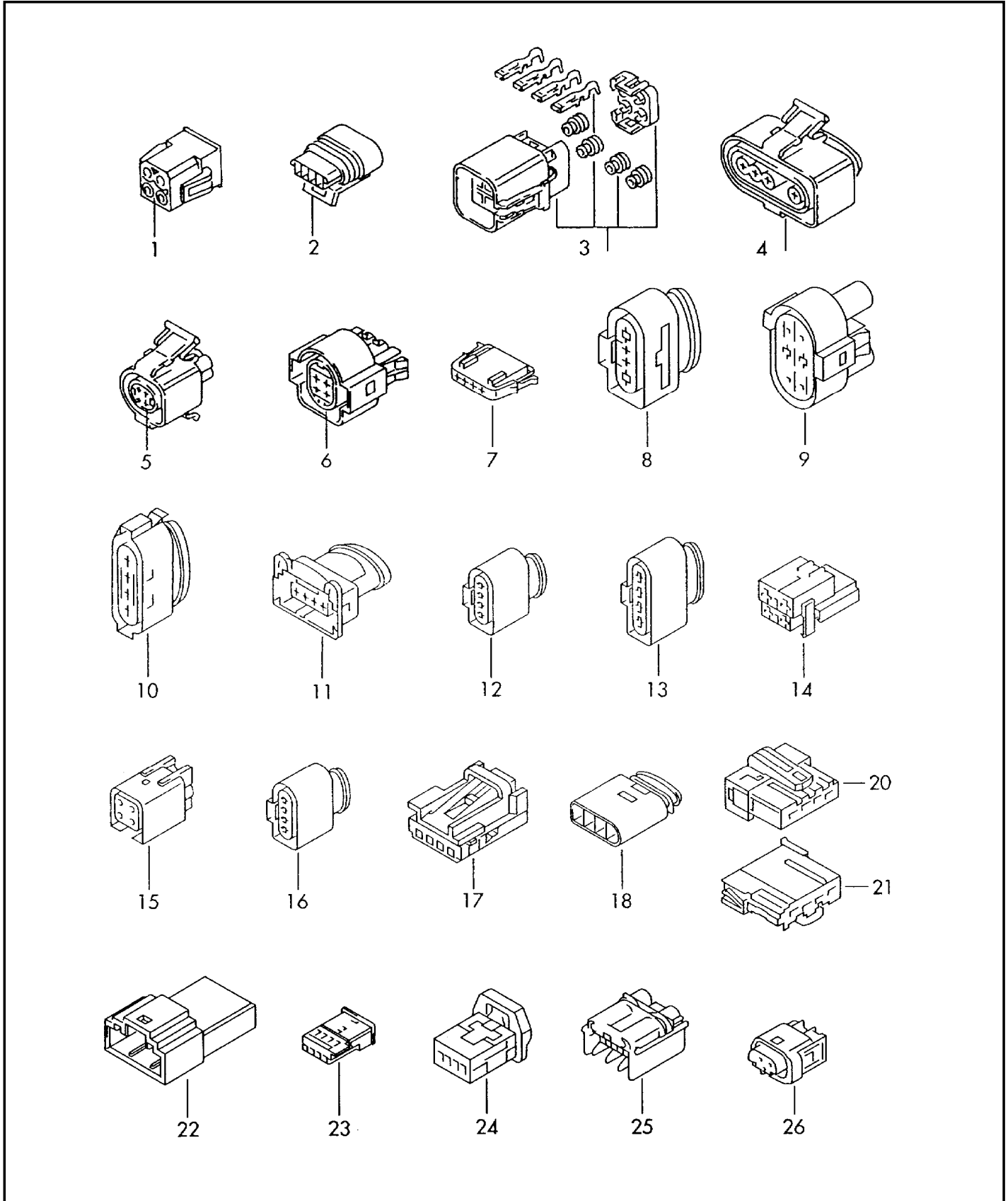




# ETKA

Model	Year	MG	SG	Illustration	Restrictions	UPD	9:07	12.02.2009
EL	2008	9	71	970-51		739		





# ETKA

Model	Year	MG	SG	Illustration	Restrictions	UPD	9:07	12.02.2009
EL	2008	9	71	970-51		739		

Pos	Part Number	Description	Remark	Qty	Model
1	4A0 971 943	plug housing rd. connector sleeve housing for single wiring:	4 pin black 000 979 117 000 979 213	X X X	1,0 2,5
2	8A0 971 974 A	1 set of connectors	4 pin black	X	
3	4A0 972 929	1 set of connectors (catalyst-control)	4 pin anthracite	X	"J.."
4	3A0 973 204	flat contact housing for single wiring: matching contact housing:	4 pin black 000 979 133 000 979 133 A 000 979 133 AB 000 979 133 B 3A0 973 334	X X X X X	1,0 1,0 1,0 1,0
5	3A0 973 712	flat contact housing for single wiring:	4 pin black 000 979 019 000 979 019 A 000 979 131 000 979 131 A	X X X X	0,35 0,35 1,0 1,0
6	1H0 973 734 A	flat contact housing for single wiring:	4 pin black 000 979 133 000 979 133 A 000 979 225 000 979 225 A	X X X X	1,0 1,0 2,5 2,5
7	535 972 704	flat contact housing for single wiring:	4 pin black 000 979 019 000 979 019 A 000 979 131 000 979 131 A	X X X X	0,5 0,5 1,0 1,0
(7)	6N0 972 704	flat contact housing for single wiring:	4 pin black 000 979 021 000 979 021 A 000 979 133 000 979 133 A 000 979 225 000 979 225 A	X X X X X	0,5 0,5 1,0 1,0 2,5 2,5



# ETKA

Model	Year	MG	SG	Illustration	Restrictions	UPD	9:07	12.02.2009
EL	2008	9	71	970-51		739		

Pos	Part Number	Description	Remark	Qty	Model
8	1J0 919 231	flat contact housing for single wiring:	4 pin black 000 979 133 000 979 133 A 000 979 135 000 979 225 000 979 225 A 000 979 227 000 979 306 000 979 407	X X X X X X X X X	1,0 1,0 1,0 2,5 2,5 2,5 4,0 6,0
9	1J0 906 234	flat contact housing for single wiring:	4 pin black 000 979 227 000 979 306 000 979 412	X X X X	2,5 4,0 6,0
10	6N0 937 774	flat contact housing for single wiring:	4 pin black 000 979 135 000 979 227	X X X	1,0 2,5
11	1H0 973 704	flat contact housing for single wiring:	4 pin black 000 979 133	X X	1,0
(12)	6Q0 973 704 A	flat contact housing with contact locking mechanism for single wiring:	4 pin brown 000 979 019 000 979 019 A 000 979 131 000 979 131 A	1 X X X X	0,35 0,35 1,0 1,0
(12)	6X0 973 704 G	flat contact housing with contact locking mechanism for single wiring:	4 pin grey 000 979 019 000 979 019 A 000 979 131 000 979 131 A	1 X X X X	0,35 0,35 1,0 1,0
13	4B0 973 724	flat contact housing with contact locking mechanism for single wiring:	4 pin black 000 979 016 000 979 141 000 979 237	X X X X	0,5 1,0 2,5
(13)	3D0 973 724 F	flat contact housing for single wiring:	4 pin green 000 979 133 000 979 133 A 000 979 225 000 979 225 A	1 X X X X	1,0 1,0 2,5 2,5
(13)	3D0 973 724 G	flat contact housing for single wiring:	4 pin grey 000 979 133 000 979 133 A 000 979 225 000 979 225 A	1 X X X X	1,0 1,0 2,5 2,5



# ETKA

Model	Year	MG	SG	Illustration	Restrictions	UPD	9:07	12.02.2009
EL	2008	9	71	970-51		739		

Pos	Part Number	Description	Remark	Qty	Model
14	3B0 959 743	flat contact housing with contact locking mechanism for single wiring:	4 pin black 000 979 225 000 979 225 A	X X X	2,5 2,5
15	7M0 906 234 D	rd. connector sleeve housing for single wiring:	4 pin black 000 979 148 000 979 240	X X X	1,0 2,5
16	4B0 973 732	flat contact housing for single wiring:	4 pin 000 979 133 000 979 133 A 000 979 133 AB 000 979 225 000 979 225 A	X X X X X	1,0 1,0 1,0 2,5 2,5
17	8E0 972 754 A	flat contact housing for single wiring:	4 pin brown 000 979 018 000 979 018 A	X X X	0,5 0,5
(17)	8E0 972 754 B	flat contact housing for single wiring:	4 pin red 000 979 018 000 979 018 A	1 X X	0,5 0,5
(17)	8E0 972 133	flat contact housing for single wiring:	4 pin yellow 000 979 009 000 979 009 A	X X X	0,63 0,63
18		see illustration:	970-61		
20	4B0 937 713	flat contact housing with retainer guide for single wiring:	4 pin black 000 979 242 000 979 242 A	X X X	2,5 2,5
21	4B0 937 714	flat contact housing for single wiring:	4 pin black 000 979 151 000 979 151 A	X X X	1,0 1,0
22		see illustration:	970-61		
23	3D0 972 623	flat contact housing for single wiring:	4 pin black 000 979 009 000 979 009 A	1 X X	0,5 0,5
24	7L0 972 754	flat contact housing with contact locking mechanism press button buckle airbag for single wiring:	4 pin yellow 000 979 019 000 971 019 A 000 971 131 000 971 131 A	1 X X X	0,5 0,5 1,0 1,0

