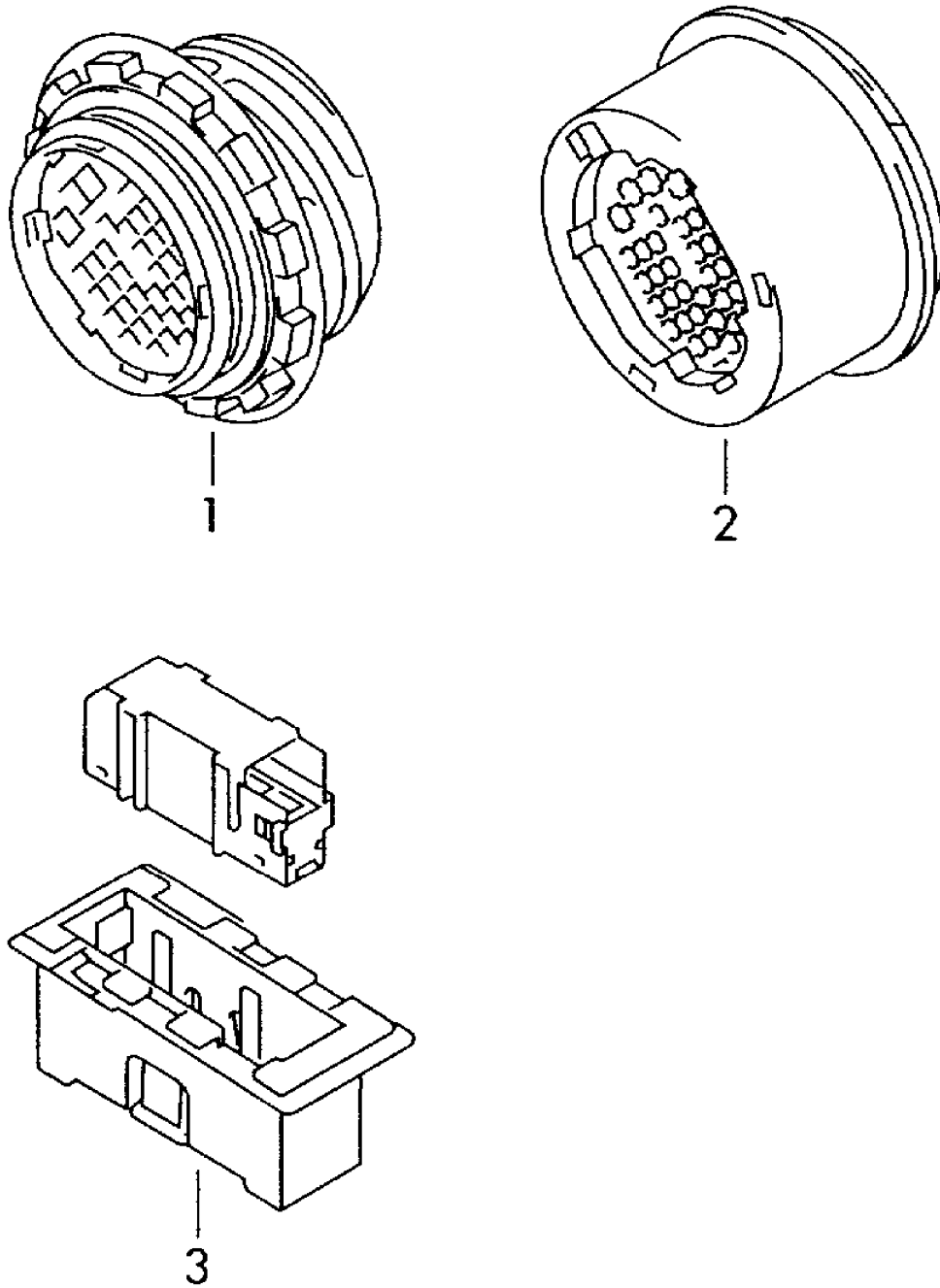




ETKA

Model	Year	MG	SG	Illustration	Restrictions	UPD	9:35	12.02.2009
EL	2008	9	71	972-67		739		





ETKA

Model	Year	MG	SG	Illustration	Restrictions	UPD	9:35	12.02.2009
EL	2008	9	71	972-67		739		

Pos	Part Number	Description	Remark	Qty	Model
1	7M3 959 735	plug housing flat contact housing matching contact housing: for single wiring:	36-pin 36-pin black 7M3 959 740 000 979 132 000 979 134	X X X	 1,0 1,0
2	7M3 959 740	flat contact housing mounting a-pillar matching contact housing: for single wiring:	36-pin black 7M3 959 735 000 979 131 000 979 131 A 000 979 133 000 979 133 A	X X X X X	 1,0 1,0 1,0 1,0
3	1T1 972 977	flat contact housing with cap for single wiring:	36-pin black 000 979 009 000 979 009 A 000 979 025 000 979 025 A 000 979 025 C 000 979 026 000 979 026 A 000 979 150 000 979 150 A 000 979 150 C 000 979 151 000 979 151 A	1 X X X X X X X X X X X X	 0,5 0,5 0,5 0,5 0,5 0,5 0,5 1,0 1,0 1,0 1,0 1,0
(3)	1T2 972 977	flat contact housing with cap for single wiring:	36-pin black 000 979 009 000 979 009 A 000 979 025 000 979 025 A 000 979 025 C 000 979 026 000 979 026 A 000 979 150 000 979 150 A 000 979 150 C 000 979 151 000 979 151 A	1 X X X X X X X X X X X X	 0,5 0,5 0,5 0,5 0,5 0,5 0,5 1,0 1,0 1,0 1,0 1,0



ETKA

Model	Year	MG	SG	Illustration	Restrictions	UPD	9:35	12.02.2009
EL	2008	9	71	972-67		739		

Pos	Part Number	Description	Remark	Qty	Model
(3)	1K0 972 977 A	flat contact housing with cap for single wiring:	36-pin black 000 979 009 000 979 009 A 000 979 025 000 979 025 A 000 979 025 C 000 979 026 000 979 026 A 000 979 150 000 979 150 A 000 979 150 C 000 979 151 000 979 151 A 000 979 242 000 979 242 A	1 X X X X X X X X X X X X X X X X	0,5 0,5 0,5 0,5 0,5 0,5 0,5 1,0 1,0 1,0 1,0 1,0 1,0 2,5 2,5
(3)	3C1 972 977	flat contact housing with cap for single wiring:	36-pin black lhd 000 979 009 000 979 009 A 000 979 025 000 979 025 A 000 979 025 C 000 979 026 000 979 026 A 000 979 150 000 979 150 A 000 979 151 000 979 151 A 000 979 242 000 979 242 A	1 X X X X X X X X X X X X X X X	0,5 0,5 0,5 0,5 0,5 0,5 0,5 1,0 1,0 1,0 1,0 1,0 2,5 2,5
(3)	3C2 972 977	flat contact housing with cap for single wiring:	36-pin black rhd 000 979 009 000 979 009 A 000 979 025 000 979 025 A 000 979 025 C 000 979 026 000 979 026 A 000 979 150 000 979 150 A 000 979 150 C 000 979 151 000 979 151 A 000 979 242 000 979 242 A	1 X X X X X X X X X X X X X X X	0,5 0,5 0,5 0,5 0,5 0,5 0,5 1,0 1,0 1,0 1,0 1,0 1,0 1,0 1,0