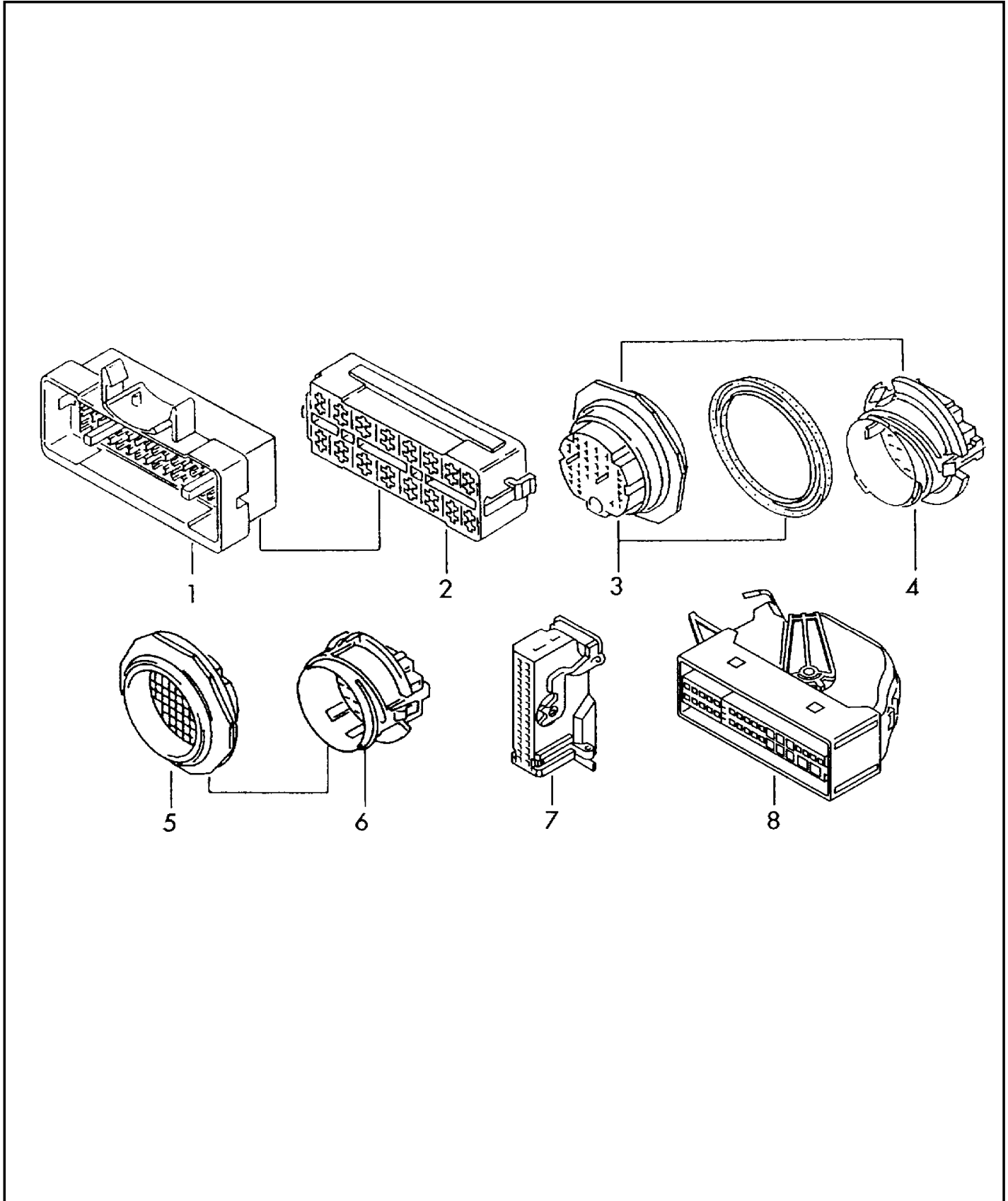




# ETKA

Model	Year	MG	SG	Illustration	Restrictions	UPD	9:33	12.02.2009
EL	2008	9	71	972-55		739		





# ETKA

Model	Year	MG	SG	Illustration	Restrictions	UPD	9:33	12.02.2009
EL	2008	9	71	972-55		739		

Pos	Part Number	Description	Remark	Qty	Model
1	--- --- ---	plug housing no longer available	32 pin	X	
2	867 972 999 E	flat contact housing for single wiring:	32 pin black 000 979 107 000 979 204 000 979 402	X X X	1,0 2,5 6,0
(3)	--- --- --- .	discontinued / replacement:	3A0 959 735 C	X	
(4)	--- --- --- .	discontinued / replacement:	3A0 959 741 A	X	
5	3A0 959 735 C	flat contact housing matching contact housing: for single wiring:	32 pin natural 3A0 959 741 A 000 979 129 000 979 130 000 979 219 000 979 220 000 979 302	X X X X X	1,0 1,0 2,5 2,5 4,0
6	3A0 959 741 A	flat contact housing mounting matching contact housing: for contact housing:	32 pin white 3A0 959 735 C 191 972 751 1H0 972 703 1H0 953 635 1H0 972 705 1H0 972 708	X	
7	8L0 972 977	flat contact housing with cap interlock for single wiring:	32 pin black violet 000 979 018 000 979 018 A	X X	0,5 0,5
(7)	8L0 972 977 A	flat contact housing with cap interlock for single wiring:	32 pin brown violet 000 979 018 000 979 018 A	X X	0,5 0,5
(7)	8L0 972 977 C	flat contact housing with cap interlock for single wiring:	32 pin green violet 000 979 018 000 979 018 A	X X	0,5 0,5
(7)	8L0 972 977 D	flat contact housing with cap interlock for single wiring:	32 pin blue violet 000 979 018 000 979 018 A	X X	0,5 0,5



# ETKA

Model	Year	MG	SG	Illustration	Restrictions	UPD	9:33	12.02.2009
EL	2008	9	71	972-55		739		

Pos	Part Number	Description	Remark	Qty	Model
(7)	8L0 972 977 G	flat contact housing with cap interlock for single wiring:	32 pin grey violet 000 979 018 000 979 018 A	X X	0,5 0,5
(7)	8L0 972 977 H	flat contact housing with cap interlock for single wiring:	32 pin grey black 000 979 018 000 979 018 A	X X	0,5 0,5
(7)	1J0 972 977	flat contact housing with cap interlock for single wiring:	32 pin black violet 000 979 009 000 979 009 A	X X	0,5 0,5
(7)	1J0 972 977 A	flat contact housing with cap interlock for single wiring:	32 pin brown violet 000 979 009 000 979 009 A	X X	0,5 0,5
(7)	1J0 972 977 C	flat contact housing with cap interlock for single wiring:	32 pin green violet 000 979 009 000 979 009 A	X X	0,5 0,5
(7)	1J0 972 977 D	flat contact housing with cap interlock for single wiring:	32 pin blue violet 000 979 009 000 979 009 A	X X	0,5 0,5
(7)	1J0 972 977 G	flat contact housing with cap interlock cable output: for single wiring:	32 pin grey violet straight 000 979 009 000 979 009 A	X X	0,5 0,5
(7)	1J0 972 977 J	flat contact housing with cap interlock for single wiring:	32 pin grey orange 000 979 009 000 979 009 A	X X	0,5 0,5
(7)	1J0 972 977 H	flat contact housing with cap interlock for single wiring:	32 pin blue orange 000 979 009 000 979 009 A	X X	0,5 0,5



# ETKA

Model	Year	MG	SG	Illustration	Restrictions	UPD	9:33	12.02.2009
EL	2008	9	71	972-55		739		

Pos	Part Number	Description	Remark	Qty	Model
(7)	3C0 972 977	flat contact housing with cap interlock cable output: for single wiring:	32 pin grey violet side 000 979 009 000 979 009 A	1  X X	  0,5 0,5
(7)	4E0 972 977	flat contact housing with cap interlock cable output: for single wiring:	32 pin black orange angled 000 979 009 000 979 009 A	1  X X	  0,5 0,5
8	4E0 971 636	flat contact housing with cap use if required:	32 pin black 000 979 025 000 979 025 A 000 979 025 C 000 979 026 000 979 026 A 000 979 027 000 979 027 C 000 979 150 000 979 150 A 000 979 150 C 000 979 151 000 979 151 A 000 979 152 000 979 152 C 000 979 242 000 979 242 A 000 979 243 000 979 308	1  X	  0,5 0,5 0,5 0,5 0,5 0,5 0,5 1,0 1,0 1,0 1,0 1,0 1,0 1,0 2,5 2,5 2,5 4,0
(8)	4E0 971 636 C	flat contact housing with cap use if required:	32 pin black 000 979 025 000 979 025 A 000 979 025 C 000 979 026 000 979 026 A 000 979 027 000 979 027 C 000 979 150 000 979 150 A 000 979 150 C 000 979 151 000 979 151 A 000 979 152 000 979 152 C 000 979 242 000 979 242 A 000 979 243 000 979 308	1  X X X X X X X X X X X X X X X X X X X	  0,5 0,5 0,5 0,5 0,5 0,5 0,5 1,0 1,0 1,0 1,0 1,0 1,0 1,0 2,5 2,5 2,5 4,0