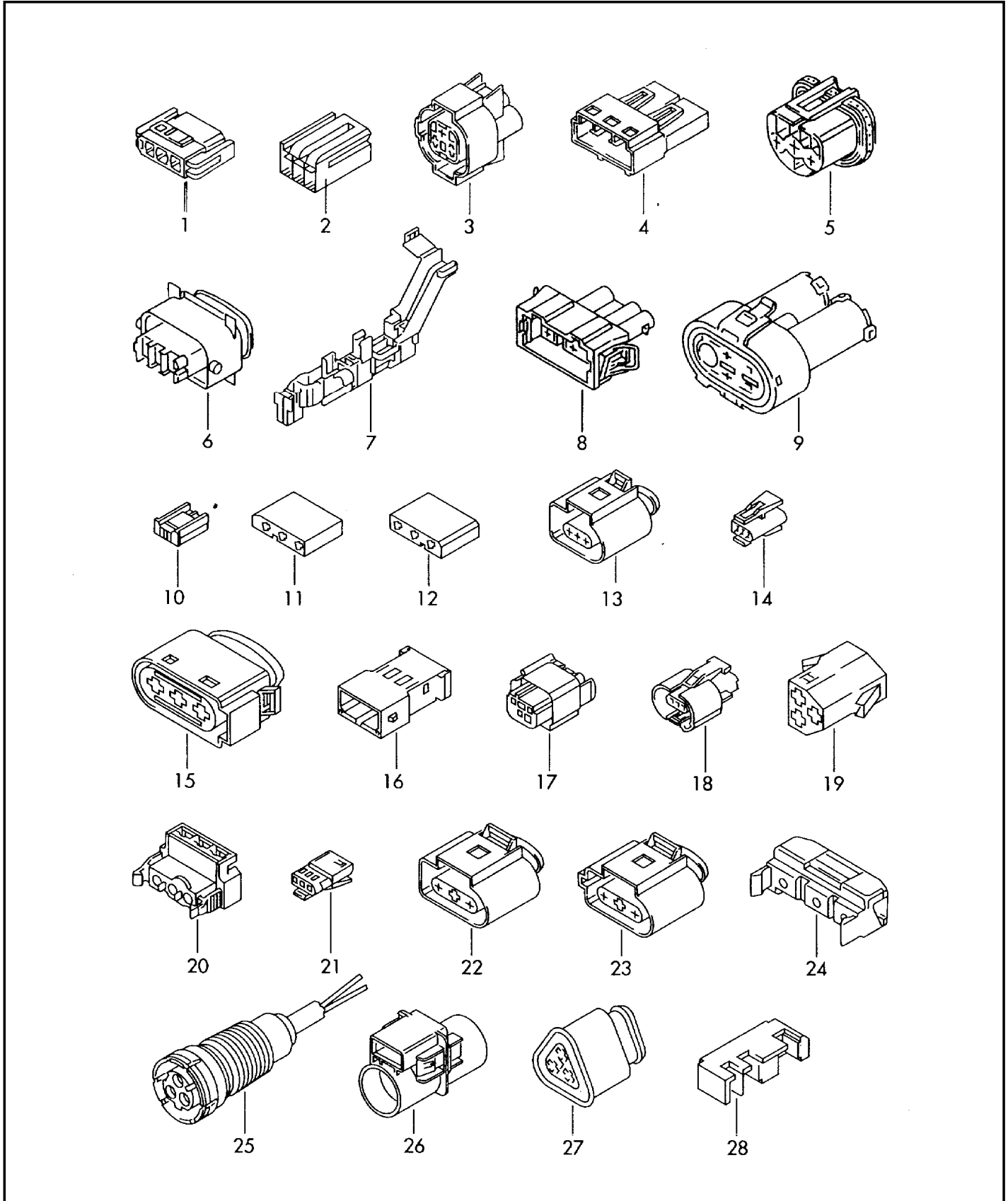




ETKA

Model	Year	MG	SG	Illustration	Restrictions	UPD	8:47	12.02.2009
EL	2007	9	71	970-31		739		





ETKA

Model	Year	MG	SG	Illustration	Restrictions	UPD	8:47	12.02.2009
EL	2007	9	71	970-31		739		

Pos	Part Number	Description	Remark	Qty	Model
1	4A0 971 633	plug housing rd. connector sleeve housing for single wiring:	3 pin 3 pin black 000 979 117 000 979 213	X X X	1,0 2,5
2	7M0 906 233 C	flat contact housing	3 pin grey	X	
3	1H0 973 203	flat contact housing for single wiring:	3 pin black 000 979 133 000 979 133 A 000 979 225 000 979 225 A 000 979 406	X X X X X	1,0 1,0 2,5 2,5 6,0
4	701 937 541	cable connector	3 pin red	X	
5	1E0 941 165	flat contact housing for single wiring:	3 pin black 000 979 133 000 979 133 A 000 979 225 000 979 225 A	X X X X	1,0 1,0 2,5 2,5
6	4D0 906 232	flat contact housing for single wiring:	3 pin black 000 979 135 000 979 227	X X	1,0 2,5
7	1K0 972 723	flat contact housing for single wiring:	3 pin black 000 979 308	1 X	4,0
8	357 972 754 H	flat contact housing for single wiring:	3 pin black 000 979 133 000 979 133 A 000 979 225 000 979 225 A	X X X X	1,0 1,0 2,5 2,5
9	1H0 973 204 A	flat contact housing for single wiring:	3 pin black 000 979 135 000 979 227 000 979 406 000 979 407	X X X X	1,0 2,5 6,0 6,0
10	4D0 971 989	flat contact housing for single wiring:	3 pin blue 000 979 002	X X	0,5
11	8D0 971 701	flat contact housing for single wiring:	3 pin grey 000 979 105	X X	1,0



ETKA

Model	Year	MG	SG	Illustration	Restrictions	UPD	8:47	12.02.2009
EL	2007	9	71	970-31		739		

Pos	Part Number	Description	Remark	Qty	Model
12	1H0 971 701	flat contact housing for single wiring:	3 pin green 000 979 105	X X	1,0
13	1J0 973 703 B	flat contact housing with contact locking mechanism for single wiring:	3 pin black 000 979 019 000 979 019 A 000 979 131 000 979 131 A	1 X X X X	0,35 0,35 1,0 1,0
(13)	1J0 973 703 C	flat contact housing with contact locking mechanism for single wiring:	3 pin orange 000 979 019 000 979 019 A 000 979 131 000 979 131 A	1 X X X X	0,35 0,35 1,0 1,0
(13)	3B0 973 703 A	flat contact housing with contact locking mechanism also to be used for: for single wiring:	3 pin brown blue 000 979 019 000 979 019 A 000 979 131 000 979 131 A	1 X X X X X	0,35 0,35 1,0 1,0
(13)	3B0 973 703 G	flat contact housing with contact locking mechanism for single wiring:	3 pin grey 000 979 019 000 979 019 A 000 979 131 000 979 131 A	1 X X X X	0,35 0,35 1,0 1,0
(13)	8L0 973 703	flat contact housing with contact locking mechanism for single wiring:	3 pin black 000 979 019 000 979 019 A 000 979 131 000 979 131 A	1 X X X X	0,35 0,35 1,0 1,0
(13)	8K0 973 703 E	flat contact housing with contact locking mechanism also to be used for: for single wiring:	3 pin brown blue 000 979 025 000 979 025 A 000 979 025 C 000 979 150 000 979 150 A 000 979 150 C	1 X X X X X X X X	0,5 0,5 0,5 1,0 1,0 1,0
(13)	8K0 973 703 F	flat contact housing also to be used for: for single wiring:	3 pin black green 000 979 025 000 979 025 A 000 979 025 C 000 979 150 000 979 150 A 000 979 150 C	1 X X X X X X X X	0,5 0,5 0,5 1,0 1,0 1,0



ETKA

Model	Year	MG	SG	Illustration	Restrictions	UPD	8:47	12.02.2009
EL	2007	9	71	970-31		739		

Pos	Part Number	Description	Remark	Qty	Model
(13)	8K0 973 703 D	flat contact housing with contact locking mechanism for single wiring:	3 pin grey 000 979 025 000 979 025 A 000 979 025 C 000 979 150 000 979 150 A 000 979 150 C	1 X X X X X X	 0,5 0,5 0,5 1,0 1,0 1,0
14	357 973 119	flat contact housing for single wiring:	3 pin black 000 979 002	X X	 0,5
15	1J0 937 773	flat contact housing for single wiring:	3 pin black 000 979 135 000 979 227 000 979 306 000 979 407 counterpart to: 1J0 937 555 B	X X X X X X	 1,0 2,5 4,0 6,0
16	4B0 971 993	flat connector housing for single wiring:	3 pin black 000 979 134 000 979 134 A 000 979 226 000 979 226 A	X X X X X X	 1,0 1,0 2,5 2,5
17	1J0 972 483	flat contact housing with contact locking mechanism for single wiring:	3 pin black 000 979 009 000 979 009 A	X X X X	 0,5 0,5
(17)	1J0 972 483 A	flat contact housing for single wiring:	3 pin black/grey 000 979 009 000 979 009 A	X X X X	 0,5 0,5
18	1J0 973 117 D	flat contact housing for single wiring:	3 pin black 000 979 018 000 979 018 A	X X X X	 0,5 0,5
19	8N0 971 955	flat contact housing for single wiring:	3 pin black 000 979 016 000 979 141 000 979 428	X X X X X	 0,35 1,0 2,5
20	2D0 971 989 CE	flat connector housing cyl. connector with solder pin	3 pin black 2D0 972 982 F	X X	
21	1J0 973 115	flat contact housing for single wiring:	3 pin black 000 979 018 000 979 018 A	X X X X	 0,5 0,5



ETKA

Model	Year	MG	SG	Illustration	Restrictions	UPD	8:47	12.02.2009
EL	2007	9	71	970-31		739		

Pos	Part Number	Description	Remark	Qty	Model
(21)	1J0 973 115 A	flat contact housing for single wiring:	3 pin black 000 979 018 000 979 018 A	X X X	0,5 0,5
22	1J0 973 723	flat contact housing for single wiring:	3 pin black 000 979 133 000 979 133 A 000 979 133 AB 000 979 225 000 979 225 A	X X X X X X	1,0 1,0 1,0 2,5 2,5
23	1J0 973 723 G	flat contact housing for single wiring:	3 pin grey 000 979 133 000 979 133 A 000 979 133 AB 000 979 225 000 979 225 A	X X X X X X	1,0 1,0 1,0 2,5 2,5
24	2D0 971 989 CT	flat contact housing cyl. connector with solder pin	3 pin black 2D0 972 982 A	X X	
25	2D0 971 989 S	flat contact housing	3 pin black	X	
26	6Q0 937 720	flat contact housing with contact locking mechanism for single wiring: counterpart to: connector location:	3 pin grey 000 979 228 000 979 307 6Q1 937 701 F	1 X X	2,5 4,0
27	1J0 973 203	flat contact housing with contact locking mechanism for single wiring:	3 pin black 000 979 306	X X	4,0
28	1C0 971 701	flat contact housing for single wiring:	3 pin grey 000 979 163	X X	1,0