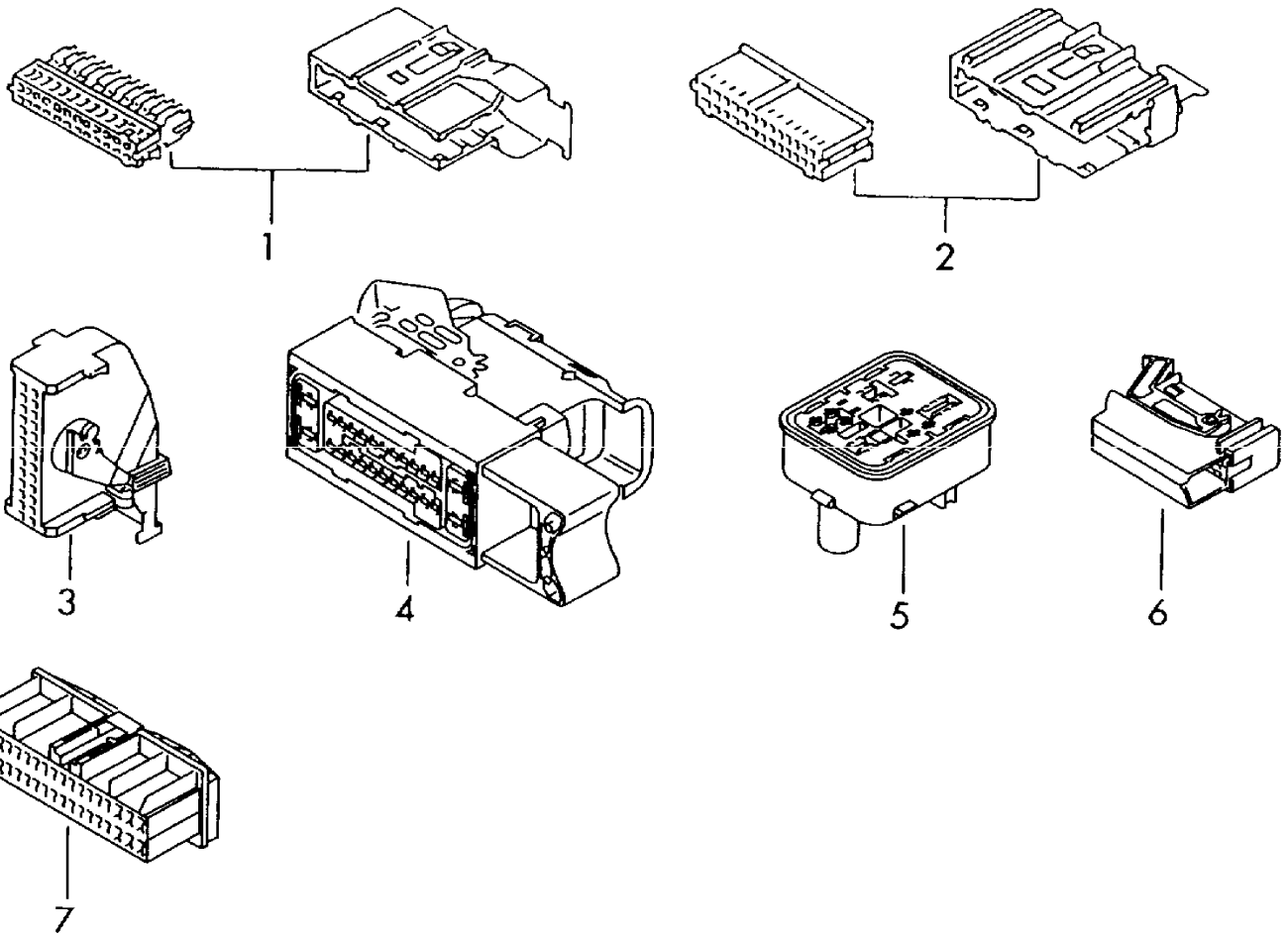




ETKA

Model	Year	MG	SG	Illustration	Restrictions	UPD	9:31	12.02.2009
EL	2008	9	71	972-35		739		





ETKA

Model	Year	MG	SG	Illustration	Restrictions	UPD	9:31	12.02.2009
EL	2008	9	71	972-35		739		

Pos	Part Number	Description	Remark	Qty	Model
1	4A1 972 977	plug housing flat contact housing for single wiring:	26 pin 26 pin violet 000 979 018 000 979 018 A	X X X	0,5 0,5
2	443 972 977 C	flat contact housing for single wiring:	26 pin yellow 000 979 018 000 979 018 A	X X X	0,5 0,5
3	3B0 919 754	flat contact housing with cap interlock for single wiring:	26 pin black turquoise(gr.) 000 979 010 000 979 010 A 000 979 010 D	X X X	0,5 0,5 0,5
(3)	7M0 937 711	flat contact housing with cap interlock for single wiring:	26 pin dark green turquoise(gr.) 000 979 010 000 979 010 A 000 979 010 D	X X X	0,5 0,5 0,5
(3)	4E0 972 726	flat contact housing with cap interlock for single wiring:	26 pin black black 000 979 009 000 979 009 A	1 X X	0,5 0,5
(3)	7M3 972 726	flat contact housing with cap interlock for single wiring:	26 pin red black 000 979 009 000 979 009 A	1	
(3)	7M3 972 726 A	flat contact housing with cap interlock for single wiring:	26 pin blue black 000 979 009 000 979 009 A	1	
(3)	7M3 972 726 B	flat contact housing with cap interlock for single wiring:	26 pin white black 000 979 009 000 979 009 A	1	
(3)	7L6 972 726	flat contact housing with cap interlock for single wiring:	26 pin black white 000 979 009 000 979 009 A	1	



ETKA

Model	Year	MG	SG	Illustration	Restrictions	UPD	9:31	12.02.2009
EL	2008	9	71	972-35		739		

Pos	Part Number	Description	Remark	Qty	Model
4	1K0 973 026	flat contact housing	26 pin black	1	
		for single wiring:	000 979 025	X	0,5
			000 979 025 A	X	0,5
			000 979 025 C	X	0,5
			000 979 150	X	1,0
			000 979 150 A	X	1,0
			000 979 150 C	X	1,0
5	1K0 937 701 A	flat contact housing	26 pin black	1	
		for single wiring:	000 979 025	X	0,5
			000 979 025 A	X	0,5
			000 979 025 C	X	0,5
			000 979 026	X	0,5
			000 979 026 A	X	0,5
			000 979 027	X	0,5
			000 979 027 C	X	0,5
			000 979 150	X	1,0
			000 979 150 A	X	1,0
			000 979 150 C	X	1,0
			000 979 151	X	1,0
			000 979 151 A	X	1,0
			000 979 152	X	1,0
			000 979 152 C	X	1,0
			000 979 242	X	2,5
			000 979 242 A	X	2,5
			000 979 243	X	2,5
6	4E0 972 150	flat contact housing	26 pin black/violet	1	
		FOLIENKONTAKT,KEINE REP.-LEIT.			
(6)	4E0 972 150 A	flat contact housing	26 pin black/violet	1	
7	8L0 971 966	flat contact housing	26 pin white	X	
		for single wiring:	000 979 013	X	0,5
			000 979 142	X	1,0
		plug housing	27 pin		
-	8K0 972 701	flat contact housing	27 pin black	X	
		for single wiring:	000 979 022	X	0,35
			000 979 022 A	X	0,35
			000 979 035	X	0,35
			000 979 035 A	X	0,35
			000 979 035 C	X	0,35
			000 979 134	X	1,0
			000 979 134 A	X	1,0
			000 979 160	X	1,0
			000 979 160 A	X	1,0
			000 979 160 C	X	1,0
			000 979 226	X	2,5
			000 979 226 A	X	2,5
		matching contact housing:	8K0 972 702		



ETKA

Model	Year	MG	SG	Illustration	Restrictions	UPD	9:31	12.02.2009
EL	2008	9	71	972-35		739		

Pos	Part Number	Description	Remark	Qty	Model
-	8K0 972 702	flat contact housing	27 pin black	X	
		for single wiring:	000 979 026	X	0,35
			000 979 026 A	X	0,35
			000 979 034	X	0,35
			000 979 034 A	X	0,35
			000 979 034 C	X	0,35
			000 979 151	X	1,0
			000 979 151 A	X	1,0
			000 979 159	X	1,0
			000 979 159 A	X	1,0
			000 979 159 C	X	1,0
			000 979 242	X	2,5
			000 979 242 A	X	2,5
		matching contact housing:	8K0 972 701		