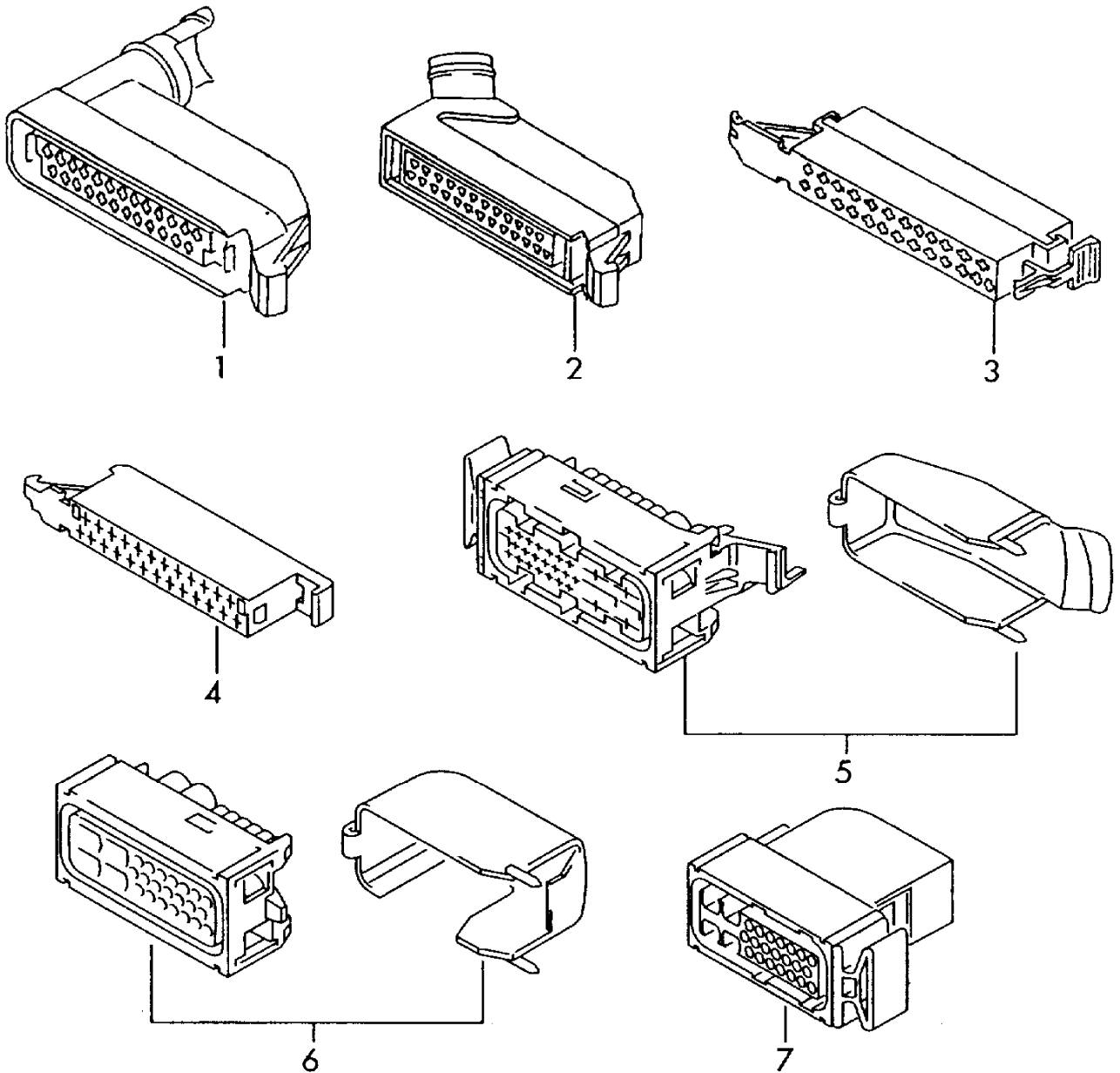




# ETKA

| Model | Year | MG | SG | Illustration | Restrictions | UPD | 9:30 | 12.02.2009 |
|-------|------|----|----|--------------|--------------|-----|------|------------|
| EL    | 2008 | 9  | 71 | 972-30       |              | 739 |      |            |





# ETKA

|       |      |    |    |              |              |     |      |            |
|-------|------|----|----|--------------|--------------|-----|------|------------|
| Model | Year | MG | SG | Illustration | Restrictions | UPD | 9:30 | 12.02.2009 |
| EL    | 2008 | 9  | 71 | 972-30       |              | 739 |      |            |

| Pos | Part Number    | Description   | Remark  | Qty   | Model   |
|-----|----------------|---|---|---|---|
| 1   | 191 906 365    | plug housing<br>flat contact housing with gasket<br>for single wiring:    | 25 pin<br>black<br>000 979 133<br>000 979 133 A<br>000 979 225<br>000 979 225 A   | X<br>X<br>X<br>X<br>X   | 1,0<br>1,0<br>2,5<br>2,5  |
| 2   | 443 906 365    | flat contact housing with gasket<br>for single wiring:                    | 25 pin<br>black<br>000 979 133<br>000 979 133 A<br>000 979 225<br>000 979 225 A   | X<br>X<br>X<br>X<br>X   | 1,0<br>1,0<br>2,5<br>2,5  |
| 3   | 443 972 963 C  | contact carrier<br>for single wiring:                                     | 25 pin<br>brown<br>000 979 133<br>000 979 133 A<br>000 979 225<br>000 979 225 A   | X<br>X<br>X<br>X<br>X   | 1,0<br>1,0<br>2,5<br>2,5  |
| 4   | 2D0 971 989 CQ | flat contact housing<br>for single wiring:                                | 25 pin<br>black<br>000 979 133<br>000 979 133 A<br>000 979 225<br>000 979 225 A   | X<br>X<br>X<br>X<br>X   | 1,0<br>1,0<br>2,5<br>2,5  |
| 5   | 1H0 973 213 A  | flat contact housing with contact locking mechanism<br>for single wiring: | 25 pin<br>black<br>000 979 131<br>000 979 131 A<br>000 979 407  | X<br>X<br>X<br>X  | 1,0<br>1,0<br>6,0   |
| 6   | 6N0 973 213    | flat contact housing with contact locking mechanism<br>for single wiring: | 25 pin<br>black<br>000 979 131<br>000 979 131 A<br>000 979 407  | X<br>X<br>X<br>X  | 1,0<br>1,0<br>6,0   |
| (6) | 1K0 973 213    | flat contact housing with contact locking mechanism<br>for single wiring: | 25 pin<br>black<br>000 979 025<br>000 979 025 A<br>000 979 025 C<br>000 979 027<br>000 979 027 C<br>000 979 150<br>000 979 150 A<br>000 979 150 C<br>000 979 152<br>000 979 152 C<br>000 979 243<br>000 979 243 C<br>000 979 308<br>000 979 308 C | 1<br>X<br>X<br>X<br>X<br>X<br>X<br>X<br>X<br>X<br>X<br>X<br>X<br>X<br>X<br>X<br>X | 0,5<br>0,5<br>0,5<br>0,5<br>0,5<br>1,0<br>1,0<br>1,0<br>1,0<br>1,0<br>1,0<br>2,5<br>2,5<br>4,0<br>4,0 |



# ETKA

|       |      |    |    |              |              |     |      |            |
|-------|------|----|----|--------------|--------------|-----|------|------------|
| Model | Year | MG | SG | Illustration | Restrictions | UPD | 9:30 | 12.02.2009 |
| EL    | 2008 | 9  | 71 | 972-30       |              | 739 |      |            |

| Pos | Part Number | Description  | Remark   | Qty                        | Model                           |
|-----|-------------|--|--|----------------------------|---------------------------------|
| 7   | 4B0 973 213 | flat contact housing with<br>contact locking mechanism<br>for single wiring: | 25 pin<br>black<br>000 979 131<br>000 979 131 A<br>000 979 135<br>000 979 227<br>000 979 306 | X<br>X<br>X<br>X<br>X<br>X | 1,0<br>1,0<br>1,0<br>2,5<br>4,0 |