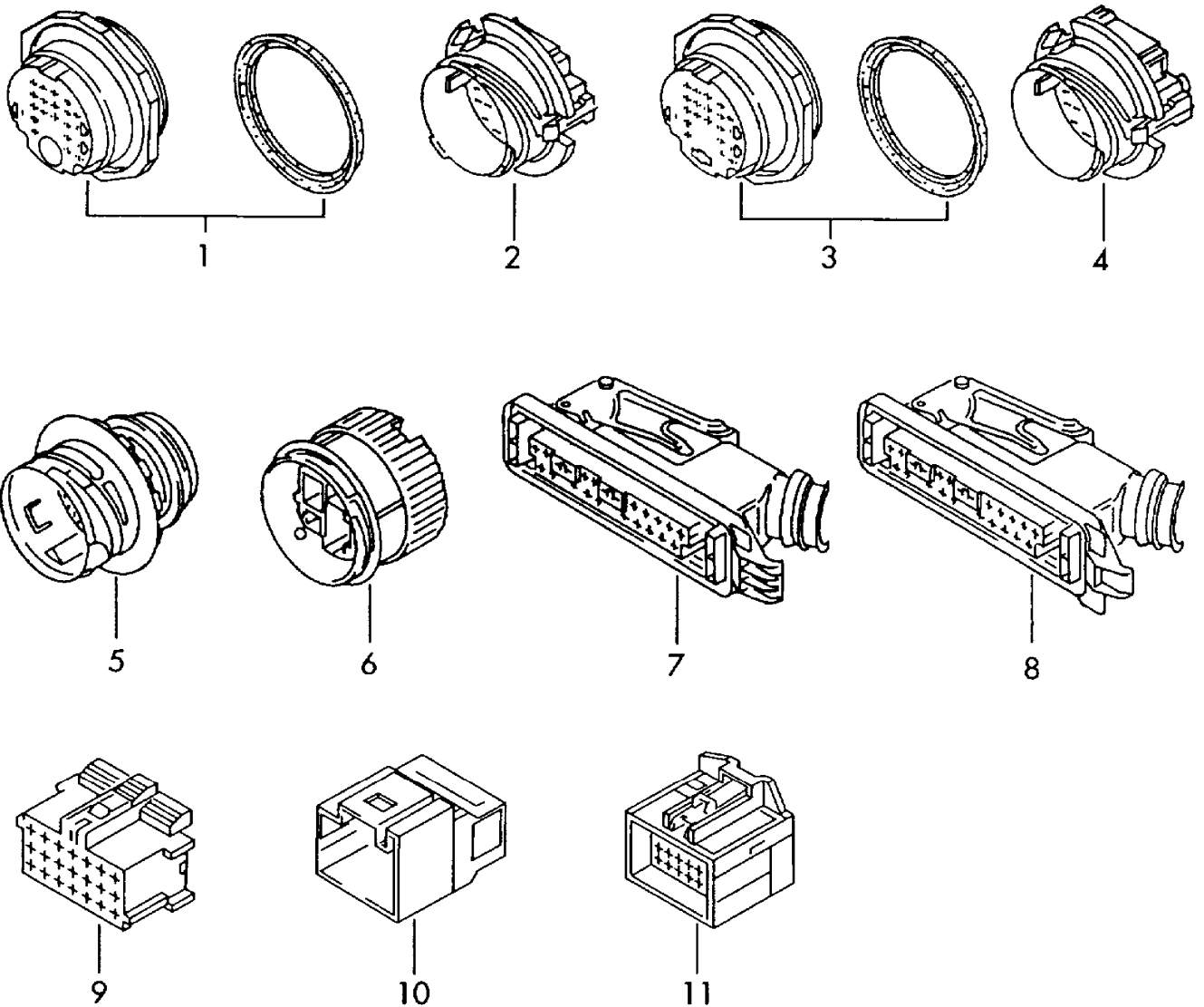




ETKA

| Model | Year | MG | SG | Illustration | Restrictions | UPD | 9:28 | 12.02.2009 |
|-------|------|----|----|--------------|--------------|-----|------|------------|
| EL | 2008 | 9 | 71 | 972-10 | | 739 | | |





ETKA

| | | | | | | | | |
|-------|------|----|----|--------------|--------------|-----|------|------------|
| Model | Year | MG | SG | Illustration | Restrictions | UPD | 9:28 | 12.02.2009 |
| EL | 2008 | 9 | 71 | 972-10 | | 739 | | |

| Pos | Part Number | Description | Remark | Qty | Model |
|-----|---------------|--|--|---------------------------------|--|
| 1 | 1H4 959 735 D | plug housing flat contact housing matching contact housing: for single wiring: | 21 pin 21 pin natural 1H4 959 741 B 000 979 132 000 979 129 000 979 130 000 979 219 000 979 220 000 979 302 | X X X X X X X | 1,0 1,0 1,0 2,5 2,5 4,0 |
| 2 | 1H4 959 741 B | flat contact housing mounting matching contact housing: matching contact housing: matching contact housing: matching contact housing: | 21 pin yellow 1H4 959 735 D 1H4 972 705 1H4 972 709 191 972 751 | X | |
| 3 | 1H4 959 735 E | flat contact housing matching contact housing: for single wiring: | 21 pin grey 1H4 959 741 C 000 979 132 000 979 129 000 979 130 000 979 219 000 979 220 000 979 302 | X X X X X X X | 1,0 1,0 1,0 2,5 2,5 4,0 |
| 4 | 1H4 959 741 C | flat contact housing mounting matching contact housing: matching contact housing: matching contact housing: matching contact housing: | 21 pin grey 1H4 959 735 E 1H4 972 705 1H4 972 709 191 972 751 | X | |
| 5 | 3A0 959 735 | flat contact housing matching contact housing: for single wiring: | 21 pin black 3A0 959 740 000 979 132 000 979 129 000 979 130 000 979 219 000 979 220 000 979 302 | X X X X X X X | 1,0 1,0 1,0 2,5 2,5 4,0 |
| 6 | 3A0 959 740 | flat contact housing mounting use if required: matching contact housing: matching contact housing: matching contact housing: matching contact housing: matching contact housing: | 21 pin black/violet 3A0 959 750 3A0 959 735 3A0 972 701 H 3A0 972 703 H 3A0 972 706 J 3A0 972 709 | X X X X X X X | |
| - | 3A0 959 750 | o-ring matching contact housing: matching contact housing: | 3A0 959 740 6N0 959 740 | 1 | |



ETKA

| | | | | | | | | |
|-------|------|----|----|--------------|--------------|-----|------|------------|
| Model | Year | MG | SG | Illustration | Restrictions | UPD | 9:28 | 12.02.2009 |
| EL | 2008 | 9 | 71 | 972-10 | | 739 | | |

| Pos | Part Number | Description | Remark | Qty | Model |
|-----|----------------|--|--|--------------------------------------|--|
| 7 | 4A0 971 985 A | flat contact housing with gasket for single wiring: | 21 pin black 000 979 133 000 979 133 A 000 979 135 000 979 225 000 979 225 A 000 979 227 000 979 407 | X X X X X X X X | 1,0 1,0 1,0 2,5 2,5 2,5 2,5 6,0 |
| 8 | 4A0 971 985 B | flat contact housing with gasket for single wiring: | 21 pin black 000 979 133 000 979 133 A 000 979 135 000 979 225 000 979 225 A 000 979 227 000 979 407 | X X X X X X X X | 1,0 1,0 1,0 2,5 2,5 2,5 2,5 6,0 |
| (8) | 4A0 971 985 C | flat contact housing with gasket for single wiring: | 21 pin black 000 979 133 000 979 135 000 979 216 | X X X X X | 1,0 1,0 2,5 |
| 9 | 2D0 971 989 CH | flat contact housing for single wiring: | 21 pin black 000 979 021 000 979 021 A 000 979 133 000 979 133 A 000 979 225 000 979 225 A | X X X X X X X | 0,5 0,5 1,0 1,0 2,5 2,5 |
| (9) | 2E0 971 989 L | flat contact housing for single wiring: | 21 pin white 000 979 026 000 979 026 A 000 979 151 000 979 151 A 000 979 242 000 979 242 A | 1 X X X X X X | 0,5 0,5 1,0 1,0 2,5 2,5 |
| 10 | 6Q0 972 737 | flat connector housing with contact locking mechanism matching contact housing: for single wiring: | 21 pin black/violet 6Q0 973 717 000 979 012 000 979 012 A | X X X X | 0,5 0,5 |
| 11 | 6Q0 973 717 | flat contact housing matching contact housing: for single wiring: | 21 pin black 6Q0 972 737 000 979 009 000 979 009 A | X X X X | 0,5 0,5 |