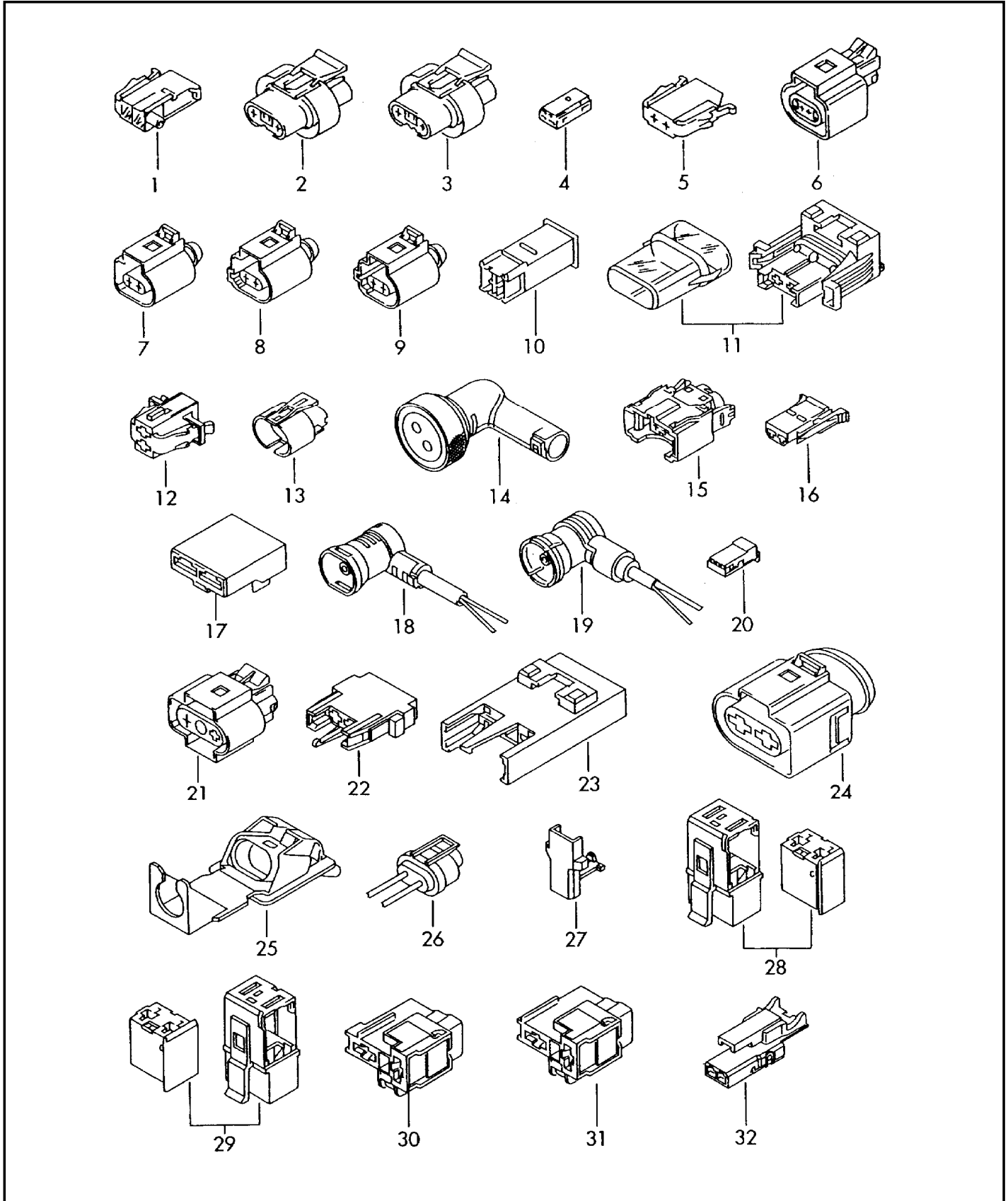




ETKA

Model	Year	MG	SG	Illustration	Restrictions	UPD	8:44	12.02.2009
EL	2007	9	71	970-11		739		





ETKA

Model	Year	MG	SG	Illustration	Restrictions	UPD	8:44	12.02.2009
EL	2007	9	71	970-11		739		

Pos	Part Number	Description	Remark	Qty	Model
1	357 919 968	plug housing flat contact housing with contact locking mechanism for single wiring:	2 pin 2 pin green 000 979 133 000 979 133 A 000 979 225 000 979 225 A	X X X X X	1,0 1,0 2,5 2,5
2	1H0 941 113	flat contact housing for single wiring:	2 pin black 000 979 133 000 979 133 A 000 979 225 000 979 225 A	X X X X X	1,0 1,0 2,5 2,5
3	1H0 941 113 A	flat contact housing for single wiring:	2 pin black 000 979 133 000 979 133 A 000 979 225 000 979 225 A	X X X X X	1,0 1,0 2,5 2,5
4	3B0 973 115 A	flat contact housing for single wiring:	2 pin black 000 979 009 000 979 009 A	X X X	0,5 0,5
5	1H0 972 702	flat contact housing for single wiring:	2 pin black 000 979 106	X X	1,0
6	8T0 973 702	flat contact housing for single wiring:	2 pin black 000 979 019 000 979 019 A 000 979 131 000 979 131 A	X X X X X	0,35 0,35 1,0 1,0
(6)	6E0 973 702	flat contact housing with contact locking mechanism for single wiring:	2 pin black 000 979 019 000 979 019 A 000 979 131 000 979 131 A	X X X X X	0,35 0,35 1,0 1,0
7	1J0 973 702	flat contact housing with contact locking mechanism for single wiring: counterpart to:	2 pin black 000 979 019 000 979 019 A 000 979 131 000 979 131 A 1J0 973 802	X X X X X X	0,35 0,35 1,0 1,0
(7)	3B0 973 702	flat contact housing with contact locking mechanism for single wiring:	2 pin yellow 000 979 019 000 979 019 A 000 979 131 000 979 131 A	1 X X X X	0,35 0,35 1,0 1,0



ETKA

Model	Year	MG	SG	Illustration	Restrictions	UPD	8:44	12.02.2009
EL	2007	9	71	970-11		739		

Pos	Part Number	Description	Remark	Qty	Model
8	1J0 973 702 A	flat contact housing with contact locking mechanism for single wiring:	2 pin brown 000 979 019 000 979 019 A 000 979 131 000 979 131 A counterpart to: 6X0 973 802 A	X X X X X	 0,35 0,35 1,0 1,0
9	1J0 973 702 B	flat contact housing with contact locking mechanism for single wiring:	2 pin red 000 979 019 000 979 019 A 000 979 131 000 979 131 A	X X X X X	 0,35 0,35 1,0 1,0
(9)	1J0 973 702 C	flat contact housing with contact locking mechanism for single wiring:	2 pin orange 000 979 019 000 979 019 A 000 979 131 000 979 131 A	1 X X X X	 0,35 0,35 1,0 1,0
10	8D0 971 959	flat contact housing for single wiring:	2 pin black 000 979 212	X X	 2,5
11	1J0 937 530	fuse holder for single wiring:	2 pin black 000 979 227	X X	 2,5
12	1J0 972 771	flat contact housing with contact locking mechanism for single wiring:	2 pin black 000 979 135 000 979 227	X X X	 1,0 2,5
13	1J0 973 117	flat contact housing with grommet for single wiring:	2 pin white 000 979 018 000 979 018 A	X X X	 0,5 0,5
(13)	1J0 973 117 E	flat contact housing with grommet for single wiring:	2 pin black 000 979 009 000 979 009 A	1 X X	 0,5 0,5
14	2D1 970 950 NQ	rd. connector sleeve housing with grommet for single wiring:	2 pin black 000 979 235	X X	 2,5
15	037 973 202	flat contact housing for single wiring:	2 pin black 000 979 121 000 979 121 A 000 979 133 000 979 133 A 000 979 133 B 000 979 133 AB 000 979 225 000 979 225 A	X X X X X X X X	 0,5 0,5 1,0 1,0 1,0 1,0 2,5 2,5



ETKA

Model	Year	MG	SG	Illustration	Restrictions	UPD	8:44	12.02.2009
EL	2007	9	71	970-11		739		

Pos	Part Number	Description	Remark	Qty	Model
16	2D0 971 989 AE	flat contact housing	2 pin black	X	
17	2D0 971 989 AT	flat contact housing	2 pin black	X	
		for single wiring:	000 979 408	X	6,0
18	2D0 971 989 N	round connector pin housing with cable	2 pin black	X	
19	2D0 971 989 P	round connector pin housing with cable	2 pin black	X	
20	4B0 973 119	flat contact housing with contact locking mechanism	2 pin black	X	
		for single wiring:	000 979 018	X	0,5
			000 979 018 A	X	0,5
20		see illustration:	970-32		
21	7M0 973 202	flat contact housing with contact locking mechanism	2 pin black	X	
		for single wiring:	000 979 133	X	1,0
			000 979 133 A	X	1,0
(21)	1J0 973 202	flat contact housing with contact locking mechanism	2 pin black	X	
		for single wiring:	000 979 133	X	1,0
			000 979 133 A	X	1,0
(21)	1K0 973 202	flat contact housing with contact locking mechanism	2 pin black	1	
		for single wiring:	000 979 133	X	1,0
			000 979 133 A	X	1,0
			000 979 225	X	2,5
			000 979 225 A	X	2,5
22	701 937 530	fuse box for flat fuses	2 pin black	X	
		for single wiring:	000 979 135	X	1,0
			000 979 227	X	2,5
			000 979 227 A	X	2,5
			000 979 306	X	4,0
			000 979 407	X	6,0
23	3A0 937 501 A	fuse holder	2 pin black	X	
		for single wiring:	000 979 406	X	6,0
24		see illustration:	970-21, POS.27		
(24)	4B0 971 955 A	flat contact housing with contact locking mechanism	2 pin brown	1	
		for single wiring:	000 979 411	X	6,0
25	7M0 973 802 B	flat contact housing	2 pin black	X	
		for single wiring:	000 979 132	X	1,0
			000 979 132 A	X	1,0



ETKA

Model	Year	MG	SG	Illustration	Restrictions	UPD	8:44	12.02.2009
EL	2007	9	71	970-11		739		

Pos	Part Number	Description	Remark	Qty	Model
26	2TA 973 112 B	flatcontact housing with cable	2 pin black/white	X	
27	038 906 231	flat contact housing for single wiring:	2 pin black 000 979 105 000 979 106	X X	1,0 1,0
28	4B0 971 959	flat contact housing with contact locking mechanism for single wiring:	2 pin black/violet 000 979 411	X	6,0
29	4B0 971 959 A	flat contact housing with contact locking mechanism for single wiring:	2 pin brown 000 979 411	X	6,0
30	1K0 972 117	flat contact housing with contact locking mechanism for single wiring:	2 pin black 000 979 411	1 X	6,0
31	1K0 972 117 A	flat contact housing with contact locking mechanism for single wiring:	2 pin brown 000 979 411	1 X	6,0
32	03G 906 238	flat contact housing with contact locking mechanism injector for single wiring:	2 pin black 000 979 105 000 979 106	1 X X	1,0 1,0
(32)	03G 906 238 A	flat contact housing injector ----- single wiring not replacement part	2 pin black		