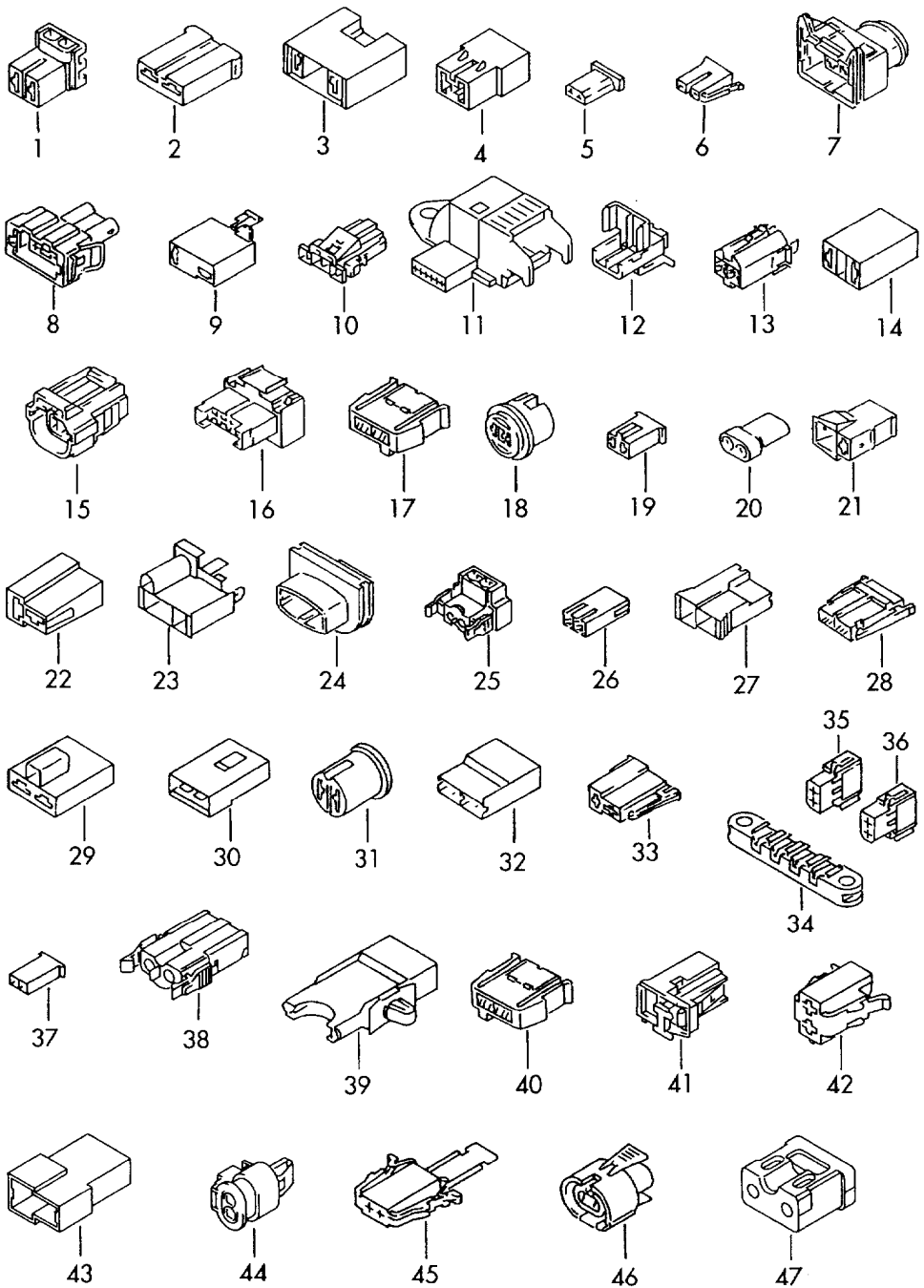




ETKA

Model	Year	MG	SG	Illustration	Restrictions	UPD	8:43	12.02.2009
EL	2007	9	71	970-10		739		





ETKA

Model	Year	MG	SG	Illustration	Restrictions	UPD	8:43	12.02.2009
EL	2007	9	71	970-10		739		

Pos	Part Number	Description	Remark	Qty	Model
1	--- --- ---	plug housing no longer available	2 pin		
2	171 906 231	flat contact housing for single wiring:	2 pin natural 000 979 107 000 979 204 000 979 402	X X X X	1,0 2,5 6,0
3	171 906 231 B	flat contact housing for single wiring:	2 pin natural 000 979 107 000 979 204 000 979 402	X X X X	1,0 2,5 6,0
4	2D0 971 989 CN	flat contact housing for single wiring:	2 pin natural 000 979 107 000 979 204 000 979 402	X X X X	1,0 2,5 6,0
5	443 906 231	flat contact housing for single wiring:	2 pin blue 000 979 105 000 979 106	X X X	1,0 1,0
6	867 906 231	flat contact housing for single wiring:	2 pin black 000 979 105 000 979 106	X X X	1,0 1,0
7	191 906 232 A	flat contact housing for single wiring:	2 pin black 000 979 135 000 979 227 000 979 407	X X X X	1,0 2,5 6,0
8	357 906 232	flat contact housing for single wiring:	2 pin black 000 979 135 000 979 227 000 979 407	X X X X	1,0 2,5 6,0
9	--- --- ---	no longer available		X	
10	4E0 971 942	flat contact housing with contact locking mechanism for single wiring:	2 pin black 000 979 026 000 979 026 A 000 979 151 000 979 151 A 000 979 242 000 979 242 A	X X X X X X X	0,5 0,5 1,0 1,0 2,5 2,5
11	4F0 973 755 A	flat contact housing for sun visor bearing for single wiring:	2 pin black 000 979 009 000 979 009 A	1 X X	0,5 0,5



ETKA

Model	Year	MG	SG	Illustration	Restrictions	UPD	8:43	12.02.2009
EL	2007	9	71	970-10		739		

Pos	Part Number	Description	Remark	Qty	Model
12	7L0 972 623	flat contact housing with contact locking mechanism for single wiring:	2 pin black 000 979 158 000 979 247	X X X	1,0 2,5
13	191 919 231	flat contact housing for single wiring:	2 pin black 000 979 135 000 979 227 000 979 407	X X X X	1,0 2,5 6,0
14	431 919 381	flat contact housing for single wiring:	2 pin natural 000 979 107 000 979 204 000 979 402	X X X X	1,0 2,5 6,0
15	8E0 973 722	flat contact housing with contact locking mechanism for single wiring: use if required:	2 pin black 000 979 155 06A 972 741 D	1 X X	1,0
16	1H0 937 530	fuse box for flat fuses for single wiring:	2 pin black 000 979 135 000 979 227 000 979 407	X X X X	1,0 2,5 6,0
17	321 945 247	flat contact housing for single wiring:	2 pin black 000 979 135 000 979 227 000 979 407	X X X X	1,0 2,5 6,0
18	111 945 525	flat contact housing for single wiring:	2 pin white 000 979 107 000 979 204 000 979 402	X X X X	1,0 2,5 6,0
19	357 947 231	flat contact housing for single wiring:	2 pin natural 000 979 105 000 979 106	X X X	1,0 1,0
20	431 959 871	rd. connector sleeve housing for single wiring:	2 pin white 000 979 110 000 979 211	X X X	1,0 2,5
21	171 971 934	flat contact housing for single wiring:	2 pin black 000 979 104 000 979 107 000 979 203 000 979 204 000 979 402 000 979 408	X X X X X X X	1,0 1,0 2,5 2,5 6,0 6,0



ETKA

Model	Year	MG	SG	Illustration	Restrictions	UPD	8:43	12.02.2009
EL	2007	9	71	970-10		739		

Pos	Part Number	Description	Remark	Qty	Model
22	2D0 971 989 BB	flat connector housing for single wiring:	2 pin white 200 979 107 000 979 204 000 979 402	X X X X	1,0 2,5 6,0
23	357 971 975	flat contact housing for single wiring:	2 pin black 000 979 104 000 979 129 000 979 203 000 979 219 000 979 409	X X X X X X	1,0 1,0 2,5 2,5 6,0
24	--- --- ---	no longer available	2 pin black	X	
25	447 971 988	flat contact housing for contact:	2 pin black 447 972 980	X X	0,5-4,0
26	441 971 989	flat contact housing with contact locking mechanism for single wiring:	2 pin black 000 979 133 000 979 133 A 000 979 225 000 979 225 A	X X X X X X	1,0 1,0 2,5 2,5
27	443 971 989	flat contact housing for single wiring:	2 pin natural 000 979 106 000 979 212 000 979 405	X X X X X	1,0 2,5 6,0
28	191 971 993	flat contact housing for single wiring:	2 pin black 000 979 135 000 979 227 000 979 407	X X X X X	1,0 2,5 6,0
29	c 431 971 993	flat contact housing for single wiring:	2 pin natural 000 979 107 000 979 204 000 979 402	X X X X X	1,0 2,5 6,0
30	447 971 993	flat connector housing for single wiring:	2 pin black 000 979 104 000 979 203 000 979 409	X X X X X	1,0 2,5 6,0
31	810 971 993	flat contact housing for single wiring:	2 pin black 000 979 107 000 979 204 000 979 402	X X X X X	1,0 2,5 6,0



ETKA

Model	Year	MG	SG	Illustration	Restrictions	UPD	8:43	12.02.2009
EL	2007	9	71	970-10		739		

Pos	Part Number	Description	Remark	Qty	Model
32	443 971 996	flat contact housing for single wiring:	2 pin natural 000 979 114 000 979 212 000 979 405	X X X	1,0 2,5 6,0
33	171 971 997 D	flat contact housing for single wiring:	2 pin black 000 979 135 000 979 227 000 979 407	X X X	1,0 2,5 6,0
(33)	1H0 973 121 C	flat contact housing for single wiring:	2 pin black 000 979 019 000 979 019 A 000 979 131 000 979 131 A	X X X X	0,35 0,35 1,0 1,0
34	443 972 559	retaining strip for diagnosis plug	black	X	
35	443 972 577 E	flat contact housing for single wiring:	2 pin white 000 979 133 000 979 133 A 000 979 225 000 979 225 A	X X X X	1,0 1,0 2,5 2,5
36	443 972 580	flat contact housing with contact locking mechanism for single wiring:	2 pin black 000 979 133 000 979 133 A 000 979 225 000 979 225 A	X X X X	1,0 1,0 2,5 2,5
37	443 972 992	flat contact housing with contact locking mechanism for single wiring:	2 pin black 000 979 105 000 979 106	X X X	1,0 1,0
38	4B0 972 961	rd. connector sleeve housing cyl. connector with solder pin	2 pin black 443 972 982 B	X X	
39	441 937 501	fuse box for flat fuses for single wiring:	2 pin black 000 979 135 000 979 227 000 979 227 A 000 979 306 000 979 407	X X X X X	1,0 2,5 2,5 4,0 6,0
40	--- --- ---	no longer available			



ETKA

Model	Year	MG	SG	Illustration	Restrictions	UPD	8:43	12.02.2009
EL	2007	9	71	970-10		739		

Pos	Part Number	Description	Remark	Qty	Model
41	1K0 972 752	flat contact housing with contact locking mechanism for single wiring:	2 pin black 000 979 027 000 979 027 C 000 979 152 000 979 152 C 000 979 243 000 979 308	1 X X X X X X	 0,5 0,5 1,0 1,0 2,5 4,0
42	1J0 972 771	flat contact housing with contact locking mechanism for single wiring:	2 pin black 000 979 135 000 979 227 000 979 407	X X X X	 1,0 2,5 6,0
43	2D0 971 989 E	flat connector housing for single wiring:	2 pin white 000 979 222	X X	 2,5
44	4F0 973 202	flat contact housing for single wiring:	2 pin yellow 000 979 034 C 000 979 035 C 000 979 159 C	1 X X X	 0,5 0,5 1,0
45	1H5 972 702	flat contact housing for single wiring:	2 pin white 000 979 133 000 979 133 A 000 979 225 000 979 225 A	X X X X X X	 1,0 1,0 2,5 2,5
46	1H0 972 117	flat contact housing with gasket for single wiring:	2 pin black 000 979 002	X X	 0,5
47	2D0 971 989 DE	rd. connector sleeve housing for single wiring:	2 pin black 2D0 972 982 D	X X	