



Figure C16.1 - GT101 Hall Effect Sensor

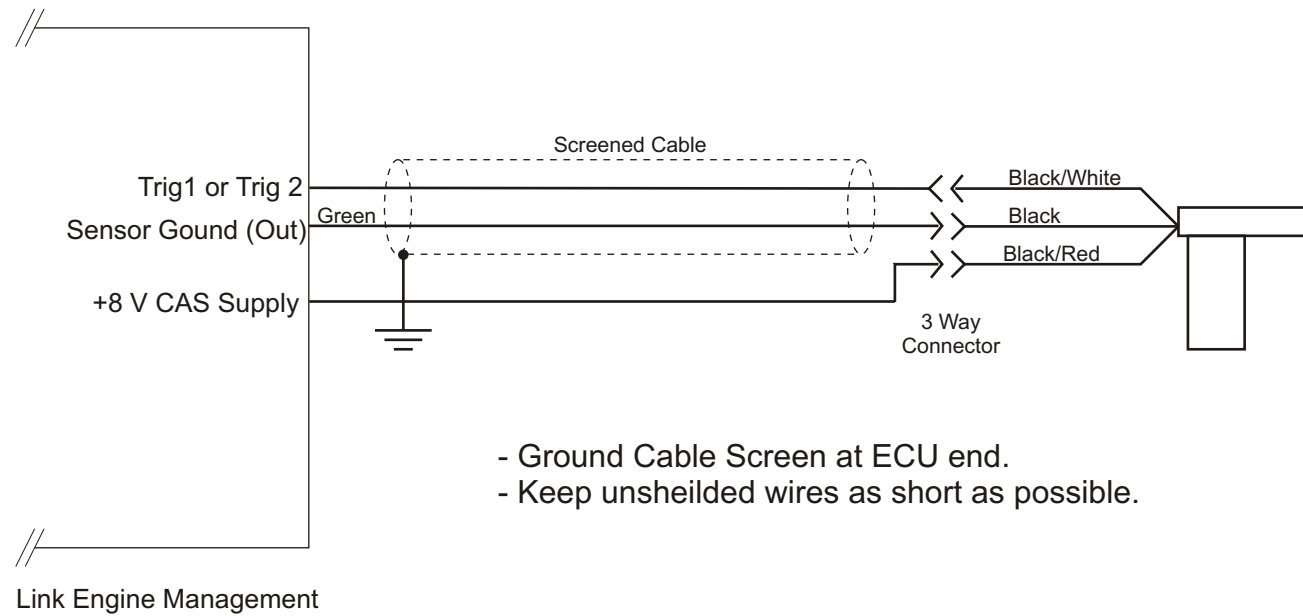
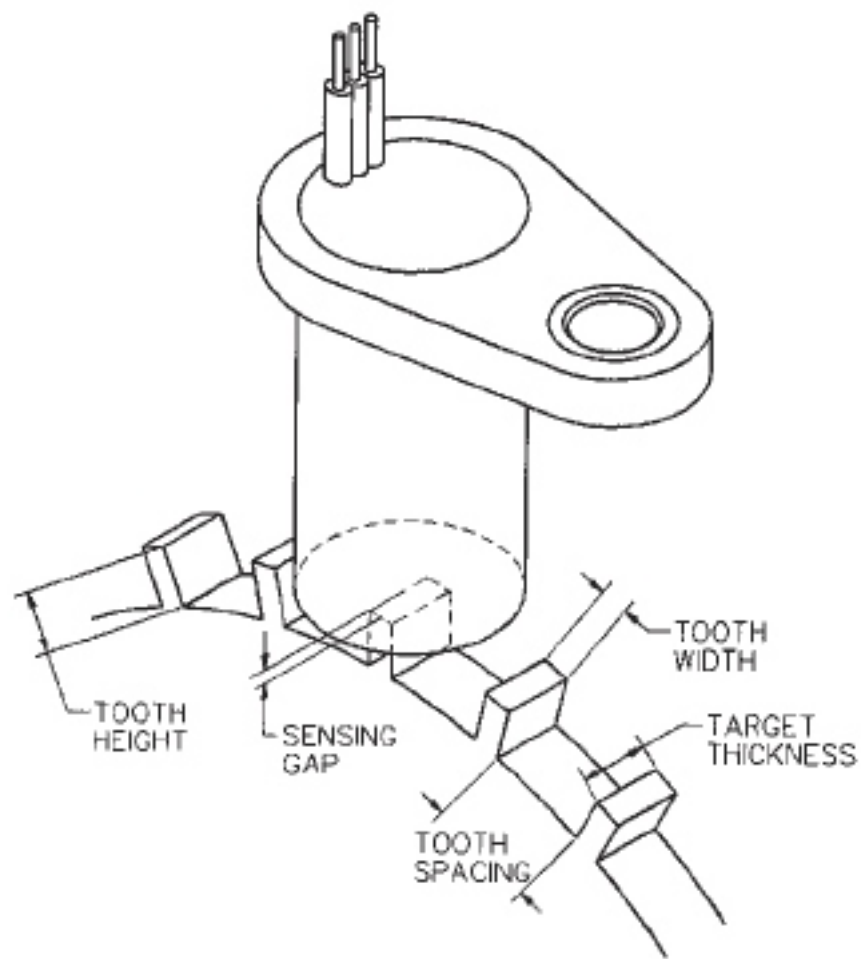


Figure C16.2 - GT101 Hall Effect Sensor Wiring



Sensor Tooth Dimensions

Tooth Height	5.0 mm (min.)
Tooth Width	2.5 mm (min.)
Tooth Spacing	10.0 mm (min.)
Target Thickness	6.5 mm (min.)
Air Gap	1.0 to 2.0 mm

Figure C16.3 - GT101 Tooth Dimensions

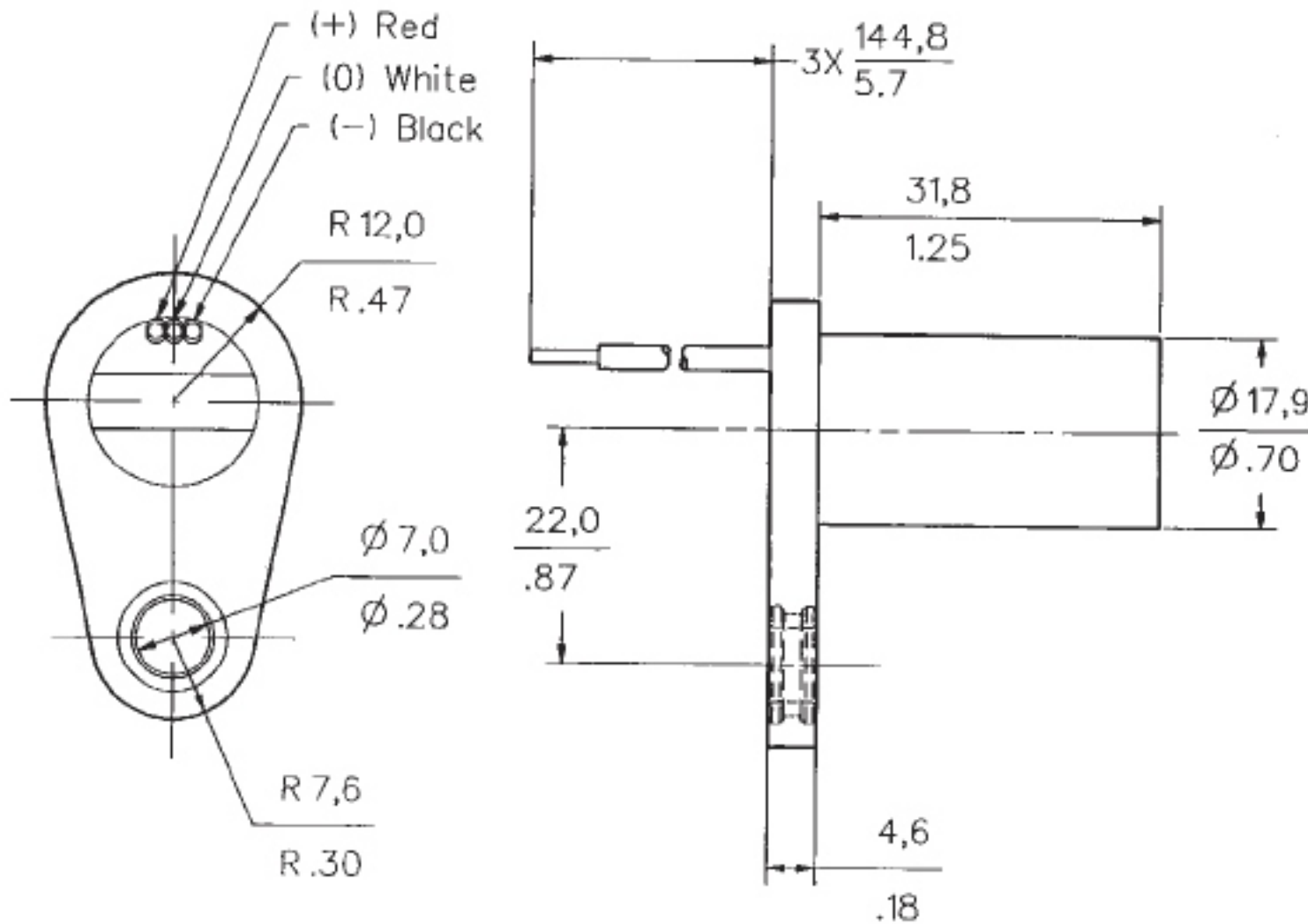


Figure C16.4 - GT101 Mounting Dimensions