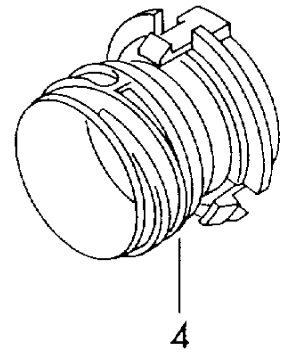
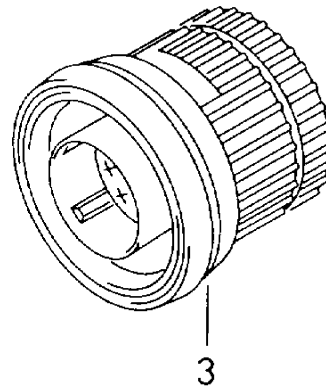
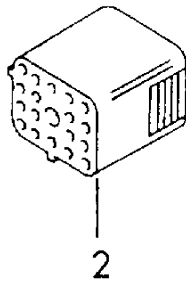
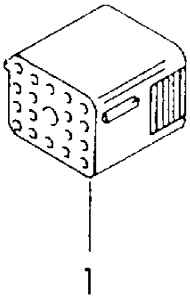




ETKA

| | | | | | | | | |
|-------|------|----|----|--------------|--------------|-----|------|------------|
| Model | Year | MG | SG | Illustration | Restrictions | UPD | 9:27 | 12.02.2009 |
| EL | 2008 | 9 | 71 | 972-00 | | 739 | | |





ETKA

| | | | | | | | | |
|-------|------|----|----|--------------|--------------|-----|------|------------|
| Model | Year | MG | SG | Illustration | Restrictions | UPD | 9:27 | 12.02.2009 |
| EL | 2008 | 9 | 71 | 972-00 | | 739 | | |

| Pos | Part Number | Description | Remark | Qty | Model |
|-----|---------------|------------------------------|---------------|-----|-------|
| 1 | 171 971 971 C | plug housing | 19 pin | | |
| | | rd. connector sleeve housing | 19 pin | X | |
| | | for single wiring: | natural | | |
| | | | 000 979 108 | X | 1,0 |
| | | | 000 979 110 | X | 1,0 |
| | | | 000 979 208 | X | 2,5 |
| 2 | 171 971 971 E | rd. connector sleeve housing | 19 pin | X | |
| | | for single wiring: | white | | |
| | | | 000 979 108 | X | 1,0 |
| | | | 000 979 110 | X | 1,0 |
| | | | 000 979 208 | X | 2,5 |
| | | | 000 979 211 | X | 2,5 |
| 3 | 6N0 973 103 | flat contact housing | 19 pin | X | |
| | | use if required: | black | | |
| | | matching contact housing: | 3C0 972 841 | X | |
| | | for single wiring: | 6N0 973 131 | | |
| | | | 000 979 131 | X | 1,0 |
| | | | 000 979 131 A | X | 1,0 |
| | | | 000 979 133 | X | 1,0 |
| | | | 000 979 133 A | X | 1,0 |
| | | | 000 979 225 | X | 2,5 |
| | | | 000 979 225 A | X | 2,5 |
| 4 | 6N0 973 131 | flat connector housing | 19 pin | X | |
| | | use if required: | black | | |
| | | matching contact housing: | 3C0 972 841 | X | |
| | | for single wiring: | 6N0 973 103 | | |
| | | | 000 979 132 | X | 1,0 |
| | | | 000 979 132 A | X | 1,0 |
| | | | 000 979 133 | X | 1,0 |
| | | | 000 979 129 | X | 1,0 |
| | | | 000 979 219 | X | 2,5 |
| | | | 000 979 220 | X | 2,5 |