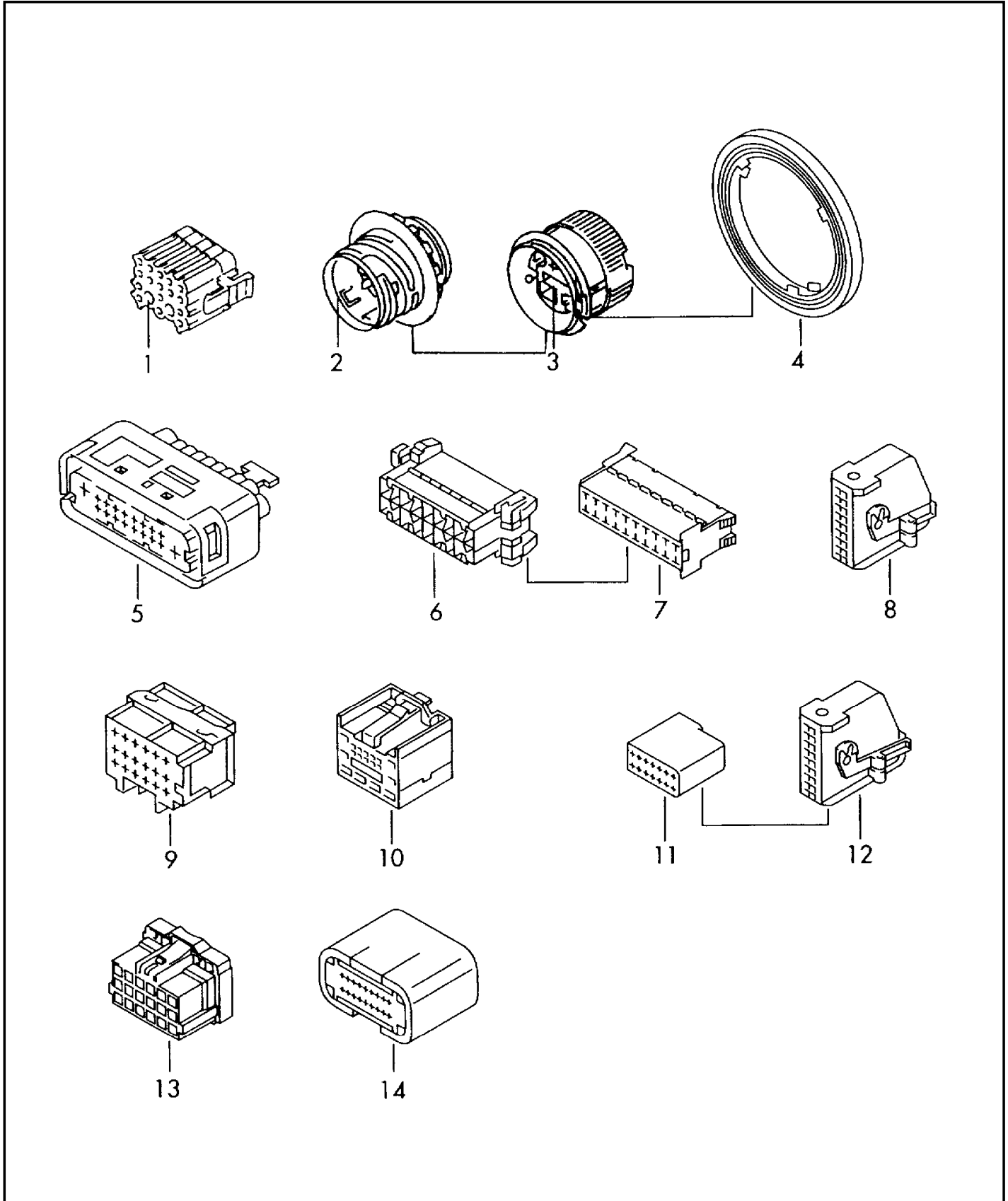




ETKA

Model	Year	MG	SG	Illustration	Restrictions	UPD	9:27	12.02.2009
EL	2008	9	71	971-95		739		





ETKA

Model	Year	MG	SG	Illustration	Restrictions	UPD	9:27	12.02.2009
EL	2008	9	71	971-95		739		

Pos	Part Number	Description	Remark	Qty	Model	
1	171 971 971 N	plug housing	18 pin			
		rd. connector sleeve housing	18 pin	X		
		for single wiring:	black			
			000 979 108	X	1,0	
			000 979 110	X	1,0	
			000 979 208	X	2,5	
2	6N0 959 735 A	flat contact housing	18 pin	X		
		for single wiring:	black			
			000 979 132	X	1,0	
			000 979 132 A	X	1,0	
			000 979 129	X	1,0	
			000 979 129 A	X	1,0	
3	6N0 959 740	matching contact housing:	000 979 220	X	2,5	
			6N0 959 740			
		flat contact housing mounting	18 pin	X		
		for single wiring:	black/violet			
			000 979 133	X	1,0	
			000 979 133 A	X	1,0	
4	3A0 959 750	o-ring		X		
		for:				
		flat contact housing mounting	3A0 959 740	X		
			6N0 959 740	X		
			000 979 225	X	2,5	
			000 979 225 A	X	2,5	
			use if required:			
			3A0 959 750			
			matching contact housing:	6N0 959 735 A	X	
			matching contact housing:	3A0 972 701 H	X	
5	1J0 959 383 B	flat contact housing with gasket	18 pin	X		
		for single wiring:	white/black			
			000 979 019	X	0,35	
			000 979 019 A	X	0,35	
			000 979 131	X	0,5	
			000 979 131 A	X	0,5	
			000 979 133	X	1,0	
			000 979 133 A	X	1,0	
			000 979 225	X	2,5	
6	2D0 971 989 BE	flat connector housing	18 pin	X		
		for single wiring:	black			
			000 979 138	X	1,0	
			000 979 233	X	2,5	
	matching contact housing:	2D0 971 989 DB				



ETKA

Model	Year	MG	SG	Illustration	Restrictions	UPD	9:27	12.02.2009
EL	2008	9	71	971-95		739		

Pos	Part Number	Description	Remark	Qty	Model
(10)	1K0 972 930 A	flat connector housing with contact locking mechanism for single wiring:	18 pin brown 000 979 009 000 979 009 A 000 979 025 000 979 025 A 000 979 025 C 000 979 026 000 979 026 A 000 979 150 000 979 150 A 000 979 150 C 000 979 151 000 979 151 A 000 979 152 000 979 152 A 000 979 242 000 979 242 A 000 979 243	1 X X X X X X X X X X X X X X X X X X X	0,5 0,5 0,5 0,5 0,5 0,5 1,0 1,0 1,0 1,0 1,0 1,0 1,0 1,0 2,5 2,5 2,5
(10)	1K0 972 930 B	flat connector housing with contact locking mechanism for single wiring:	18 pin red 000 979 009 000 979 009 A 000 979 025 000 979 025 A 000 979 025C 000 979 026 000 979 026 A 000 979 150 000 979 150 A 000 979 150 C 000 979 151 000 979 151 A 000 979 152 000 979 152 A 000 979 242 000 979 242 A 000 979 243	1 X X X X X X X X X X X X X X X X X X	0,5 0,5 0,5 0,5 0,5 0,5 0,5 1,0 1,0 1,0 1,0 1,0 1,0 1,0 2,5 2,5 2,5
11	3C0 035 131	flat contact housing for single wiring: matching contact housing:	18 pin black 000 979 012 000 979 012 A 3D0 035 131	1 X X	0,5 0,5
12	3D0 035 131	flat contact housing for single wiring: matching contact housing:	18 pin black 000 979 009 000 979 009 A 3C0 035 131	1 X X	0,5 0,5
13	4F0 973 718	flat contact housing for single wiring:	18 pin grey 000 979 026 000 979 026 A 000 979 242 000 979 242 A	1 X X X X	0,5 0,5 2,5 2,5



ETKA

Model	Year	MG	SG	Illustration	Restrictions	UPD	9:27	12.02.2009
EL	2008	9	71	971-95		739		

Pos	Part Number	Description	Remark	Qty	Model
14	1C0 973 993	flat contact housing with contact locking mechanism for single wiring:	18 pin black/green 000 979 036	1 X	0,5