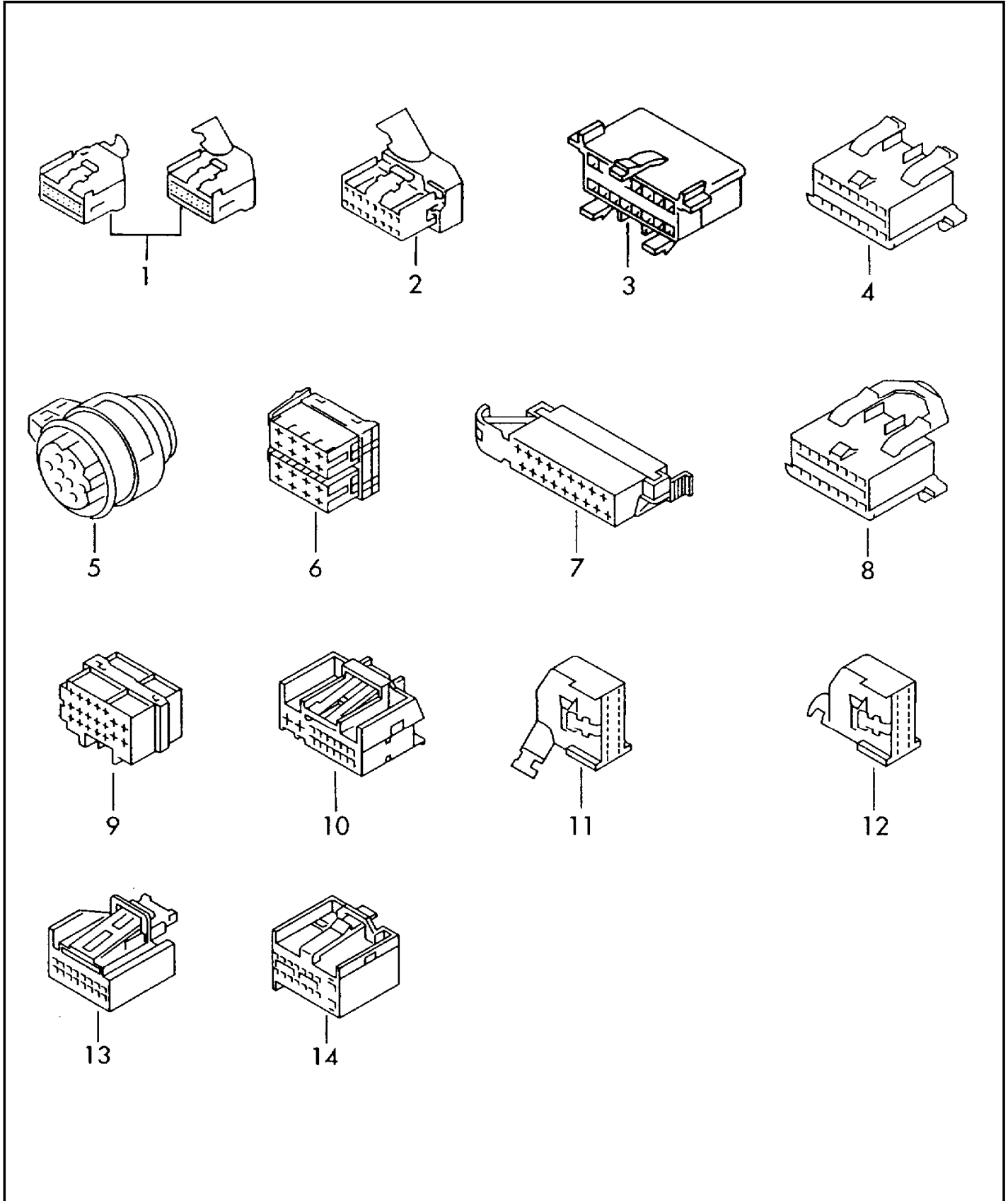




ETKA

Model	Year	MG	SG	Illustration	Restrictions	UPD	9:26	12.02.2009
EL	2008	9	71	971-85		739		





ETKA

Model	Year	MG	SG	Illustration	Restrictions	UPD	9:26	12.02.2009
EL	2008	9	71	971-85		739		

Pos	Part Number	Description	Remark	Qty	Model
1	4A0 972 883 A	plug housing flat contact housing for single wiring:	16 pin 16 pin brown 000 979 018 000 979 018 A	X X X	0,5 0,5
2	4A0 972 883 C	flat contact housing for single wiring:	16 pin black 000 979 006 000 979 121 000 979 223	X X X	0,5 1,0 1,5
3	1H0 972 695	flat contact housing for single wiring:	16 pin black 000 979 131 000 979 131 A	X X	1,0 1,0
4	--- --- --- .	discontinued / replacement:	8D0 972 695	X	
5	3D0 973 993	round connector housing interlock for single wiring:	16 pin black black 000 979 033 000 979 154 000 979 252	1	0,5 1,0 2,5
(5)	420 973 716	rd. connector sleeve housing interlock for single wiring:	16 pin black natural 000 979 033 000 979 154 000 979 252	1	0,5 1,0 2,5
6	2D0 971 989 AG	flat contact housing for single wiring:	16 pin black 000 979 225 000 979 225 A	X X	2,5 2,5
7	2D0 971 989 DA	flat contact housing for single wiring:	16 pin black 000 979 133 000 979 225 000 979 225 A	X X X	1,0 2,5 2,5
8	8D0 972 695	flat contact housing for single wiring:	16 pin black/violet 000 979 011	X X	1,0
9	6Q0 937 713	flat contact housing with contact locking mechanism for single wiring:	16 pin black/violet 000 979 131 000 979 131 A 000 979 133 000 979 133 A 000 979 225 000 979 225 A	1 X X X X X X	1,0 1,0 1,0 1,0 2,5 2,5



ETKA

Model	Year	MG	SG	Illustration	Restrictions	UPD	9:26	12.02.2009
EL	2008	9	71	971-85		739		

Pos	Part Number	Description	Remark	Qty	Model
10	8E0 972 126	flat contact housing for single wiring:	16 pin black 000 979 009 000 979 009 A 000 979 133 000 979 133 A	X X X X	0,5 0,5 1,0 1,0
11	8E0 972 416	flat contact housing for single wiring:	16 pin brown 000 979 009 000 979 009 A	1 X X	0,5 0,5
12	8E0 972 416 A	flat contact housing for single wiring: cable output:	16 pin brown 000 979 009 000 979 009 A vertical	1 X X	0,5 0,5
13	1K0 972 928	flat contact housing for single wiring:	16 pin black 000 979 009 000 979 009 A	1 X X	0,5 0,5
14	1K0 972 961	flat contact housing for single wiring:	16 pin black 000 979 009 000 979 009 A 000 979 026 000 979 026 A 000 979 151 000 979 151 A 000 979 242 000 979 242 A	1 X X X X X X X X X	0,5 0,5 0,5 0,5 1,0 1,0 2,5 2,5
-	4H0 941 824	fuse holder contact bridge for single wiring:	16 pin black 16-point 000 979 023 000 979 135 000 979 227 000 979 227 A 000 979 306 000 979 407	1	0,5 1,0 2,5 2,5 4,0 6,0