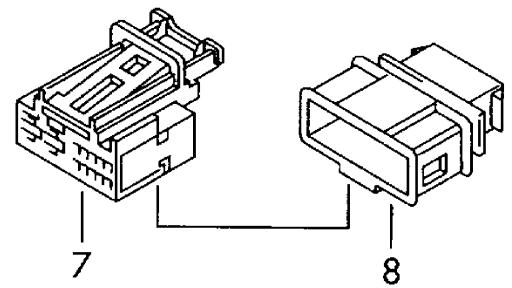
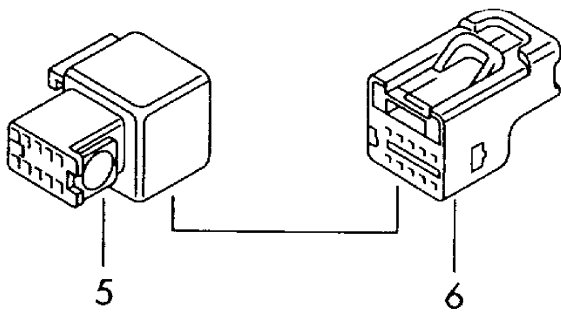
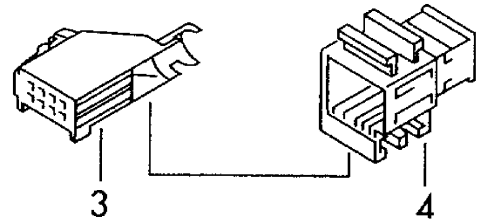
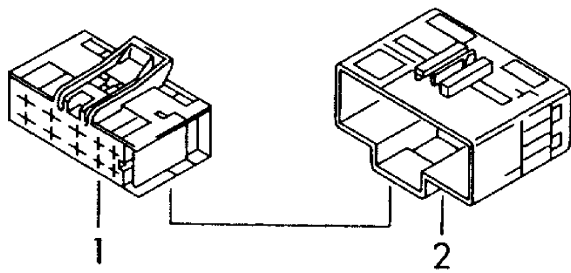




ETKA

Model	Year	MG	SG	Illustration	Restrictions	UPD	9:22	12.02.2009
EL	2008	9	71	971-46		739		





ETKA

Model	Year	MG	SG	Illustration	Restrictions	UPD	9:22	12.02.2009
EL	2008	9	71	971-46		739		

Pos	Part Number	Description	Remark	Qty	Model
1	8E0 972 710	plug housing flat contact housing for single wiring: matching contact housing:	10 pin 10 pin black/violet 000 979 135 000 979 225 000 979 225 A 7L0 972 762	1 X	 1,0 2,5 2,5
2	7L0 972 762	flat connector housing for single wiring: matching contact housing:	10 pin black/violet 000 979 022 000 979 022 A 000 979 134 000 979 134 A 000 979 136 000 979 226 000 979 226 A 000 979 228 000 979 307 8E0 972 710	1 X X X X X X X X X X	 0,5 0,5 1,0 1,0 1,0 2,5 2,5 2,5 4,0
3	8E0 971 980	flat contact housing with contact locking mechanism for single wiring: matching contact housing:	10 pin 000 979 009 000 979 009 A 1K0 971 992	X X X	 0,5 0,5
(3)	1K0 971 980	flat contact housing with contact locking mechanism for single wiring: matching contact housing:	10 pin red/black 000 979 009 000 979 009 A 1K0 971 992 A	X X X	 0,5 0,5
4	1K0 971 992	flat connector housing with contact locking mechanism for single wiring: matching contact housing:	10 pin black 000 979 012 000 979 012 A 8E0 971 980 A	1 X	 0,5 0,5
(4)	1K0 971 992 A	flat connector housing with contact locking mechanism for single wiring: matching contact housing:	10 pin red 000 979 012 000 979 012 A 8E0 971 980 A	1 X	 0,5 0,5
5	1K0 972 766	flat contact housing with contact locking mechanism for single wiring: matching contact housing:	10 pin black 000 979 012 000 979 012A 1K0 972 776	1 X X	 0,5 0,5
(5)	1K0 972 766 A	flat contact housing with contact locking mechanism for single wiring:	10 pin black 000 979 012 000 979 012 A	1	 0,5 0,5



ETKA

Model	Year	MG	SG	Illustration	Restrictions	UPD	9:22	12.02.2009
EL	2008	9	71	971-46		739		

Pos	Part Number	Description	Remark	Qty	Model
6	1K0 972 776	flat contact housing with contact locking mechanism for single wiring: matching contact housing:	10 pin black/violet	1	
			000 979 009 000 979 009 A 1K0 972 766	X X	0,5 0,5
7	3C0 972 725	flat contact housing with contact locking mechanism for single wiring: matching contact housing:	10 pin black	1	
			000 979 009 000 979 009 A 000 979 026 000 979 026 A 000 979 151 000 979 151 A 000 979 242 000 979 242 A 3C0 972 735	X X X X X X X X	0,5 0,5 0,5 0,5 1,0 1,0 2,5 2,5
			10 pin black	1	
			000 979 020 000 979 020 A 000 979 132 000 979 132 A 3C0 972 725	X X X X	0,5 0,5 1,0 1,0