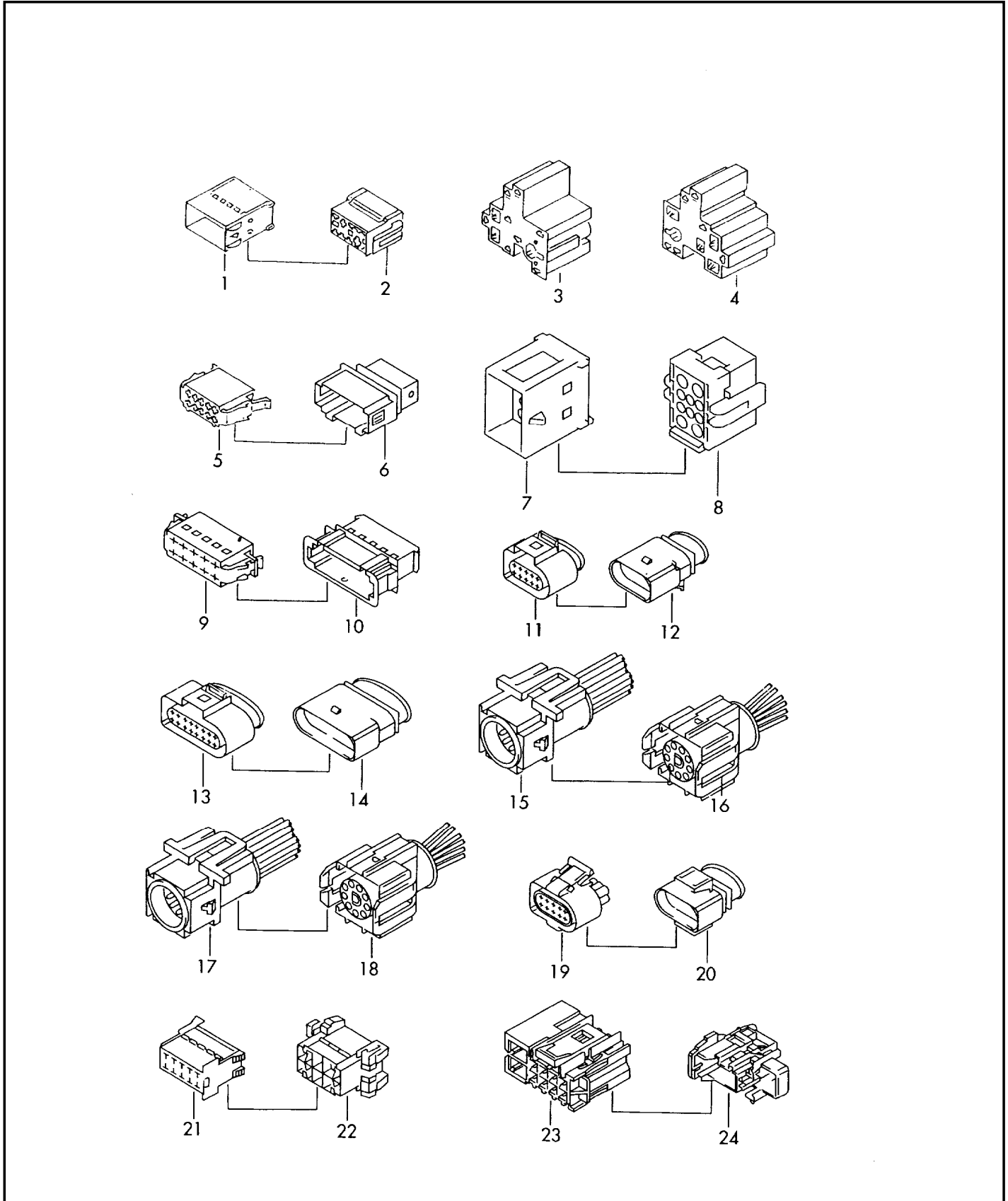




# ETKA

Model	Year	MG	SG	Illustration	Restrictions	UPD	9:21	12.02.2009
EL	2008	9	71	971-45		739		





# ETKA

Model	Year	MG	SG	Illustration	Restrictions	UPD	9:21	12.02.2009
EL	2008	9	71	971-45		739		

Pos	Part Number	Description	Remark	Qty	Model
1	893 971 977	plug housing flat connector housing for single wiring:	10 pin 10 pin black 000 979 103 000 979 104 000 979 203 000 979 233 000 979 409	X X X X X	1,0 1,0 2,5 2,5 6,0
		matching contact housing:	893 971 982	X	
2	893 971 982	flat contact housing for single wiring:	10 pin black 000 979 133 000 979 133 A 000 979 135 000 979 225 000 979 225 A 000 979 227 000 979 407	X X X X X X X X	1,0 1,0 1,0 2,5 2,5 2,5 6,0
		matching contact housing:	893 971 977	X	
3	251 971 999 C	flat contact housing for single wiring:	10 pin black 000 979 133 000 979 133 A 000 979 135 000 979 225 000 979 225 A 000 979 227 000 979 407	X X X X X X X X	1,0 1,0 1,0 2,5 2,5 2,5 6,0
4	--- --- ---	no longer available			
5	1J0 972 725	flat contact housing for single wiring:	10 pin black 000 979 133 000 979 133 A 000 979 225 000 979 225 A	X X X X X	1,0 1,0 2,5 2,5
		matching contact housing:	191 972 735	X	
(5)	191 972 725	flat contact housing for single wiring:	10 pin black 000 979 133 000 979 133 A 000 979 225 000 979 225 A	X X X X X	1,0 1,0 2,5 2,5
		matching contact housing:	191 972 735	X	
6	191 972 735	flat contact housing for single wiring:	10 pin black 000 979 105 000 979 106	X X	1,0 1,0
		matching contact housing:	1J0 972 725	X	



# ETKA

Model	Year	MG	SG	Illustration	Restrictions	UPD	9:21	12.02.2009
EL	2008	9	71	971-45		739		

Pos	Part Number	Description	Remark	Qty	Model
7	8A0 972 985	round connector housing for single wiring:	10 pin black/violet 000 979 118 000 979 119 000 979 123 000 979 215 000 979 216 matching contact housing: 8A0 972 986	X X X X X X	1,0 1,0 1,0 2,5 2,5
(7)	1J0 937 743	flat connector housing with contact locking mechanism also to be used for: for single wiring:	10 pin black violet green 000 979 132 000 979 132 A 000 979 134 000 979 134 A 000 979 226 000 979 226 A 000 979 228 matching contact housing: 1J0 937 733 matching contact housing: 1J0 937 733 K matching contact housing: 8D0 937 733 matching contact housing: 8D0 937 733 F matching contact housing: 8D0 937 733 K	1 X X X X X X X X X X	1,0 1,0 1,0 1,0 2,5 2,5 2,5
(7)	4F0 937 743	flat connector housing with contact locking mechanism also to be used for: for single wiring:	10 pin black violet green 000 979 020 000 979 020 A 000 979 022 000 979 022 A 000 979 132 000 979 132 A 000 979 134 000 979 134 A 000 979 226 000 979 226 A matching contact housing: 4F0 937 733 matching contact housing: 4F0 937 733 F matching contact housing: 4F0 937 733 K	1 X X X X X X X X X X X X X X	0,5 0,5 0,5 0,5 1,0 1,0 1,0 1,0 2,5 2,5
(7)	1J0 937 743 A	flat connector housing with contact locking mechanism to be used for: for single wiring:	10 pin brown grey 000 979 132 000 979 132 A 000 979 134 000 979 134 A 000 979 226 000 979 226 A 000 979 228 matching contact housing: 1J0 937 733 A matching contact housing: 8D0 937 733 A matching contact housing: 8D0 937 733 G	X X X X X X X X X	1,0 1,0 1,0 1,0 2,5 2,5 2,5



# ETKA

Model	Year	MG	SG	Illustration	Restrictions	UPD	9:21	12.02.2009
EL	2008	9	71	971-45		739		

Pos	Part Number	Description	Remark	Qty	Model
(7)	4F0 937 743 A	flat connector housing with contact locking mechanism also to be used for: for single wiring:	10 pin brown grey 000 979 020 000 979 020 A 000 979 022 000 979 022 A 000 979 132 000 979 132 A 000 979 134 000 979 134 A 000 979 226 000 979 226 A 4F0 937 733 A	1   X X X X X X X X X X X X	0,5 0,5 0,5 0,5 1,0 1,0 1,0 1,0 2,5 2,5
(7)	1J0 937 743 B	flat connector housing with contact locking mechanism to be used for: for single wiring:	10 pin red white light-green 000 979 132 000 979 132 A 000 979 134 000 979 134 A 000 979 226 000 979 226 A 000 979 228 1J0 937 733 B 1J0 937 733 L 8D0 937 733 B 8D0 937 733 E 8D0 937 733 L	X   X X X X X X X X X X X X	1,0 1,0 1,0 1,0 2,5 2,5 2,5
(7)	4F0 937 743 B	flat connector housing with contact locking mechanism also to be used for: for single wiring:	10 pin red light-green white 000 979 020 000 979 020 A 000 979 022 000 979 022 A 000 979 132 000 979 132 A 000 979 134 000 979 134 A 000 979 226 000 979 226 A 000 979 228 4F0 937 733 B 4F0 937 733 L	1   X X X X X X X X X X X X X X	0,5 0,5 0,5 0,5 1,0 1,0 1,0 1,0 2,5 2,5 2,5





# ETKA

Model	Year	MG	SG	Illustration	Restrictions	UPD	9:21	12.02.2009
EL	2008	9	71	971-45		739		

Pos	Part Number	Description	Remark	Qty	Model
(8)	1J0 937 733	flat contact housing with contact locking mechanism also to be used for:  for single wiring:	10 pin black violet green 000 979 131 000 979 131 A 000 979 133 000 979 133 A 000 979 225 000 979 225 A 000 979 227 matching contact housing: 1J0 937 743 matching contact housing: 1J0 937 743 K	1  X X X X X X X X X X	  1,0 1,0 1,0 1,0 2,5 2,5 2,5
(8)	4F0 937 733	flat contact housing with contact locking mechanism also to be used for:  for single wiring:	10 pin black violet green 000 979 025 000 979 025 A 000 979 025 C 000 979 026 000 979 026 A 000 979 150 000 979 150 A 000 979 150 C 000 979 151 000 979 151 A 000 979 242 000 979 242 A matching contact housing: 4F0 937 743 matching contact housing: 4F0 937 743 F matching contact housing: 4F0 937 743 K	1  X X X X X X X X X X X X X X X	  0,5 0,5 0,5 0,5 0,5 1,0 1,0 1,0 1,0 1,0 2,5 2,5
(8)	8D0 937 733	flat contact housing with contact locking mechanism to be used for:  for single wiring:	10 pin black violet green 000 979 025 000 979 025 A 000 979 025 C 000 979 026 000 979 026 A 000 979 150 000 979 150 A 000 979 150 C 000 979 151 000 979 151 A 000 979 242 000 979 242 A matching contact housing: 1J0 937 743 matching contact housing: 1J0 937 743 F matching contact housing: 1J0 937 743 K	X  X X X X X X X X X X X X X X	  0,5 0,5 0,5 0,5 0,5 1,0 1,0 1,0 1,0 1,0 2,5 2,5



# ETKA

Model	Year	MG	SG	Illustration	Restrictions	UPD	9:21	12.02.2009
EL	2008	9	71	971-45		739		

Pos	Part Number	Description	Remark	Qty	Model
(8)	1J0 937 733 A	flat contact housing with contact locking mechanism to be used for: for single wiring:	10 pin brown grey 000 979 131 000 979 131 A 000 979 133 000 979 133 A 000 979 225 000 979 225 A 000 979 227 matching contact housing: matching contact housing:	X   X X X X X X X X X X	   1,0 1,0 1,0 1,0 2,5 2,5 2,5   
(8)	4F0 937 733 A	flat contact housing with contact locking mechanism also to be used for: for single wiring:	10 pin brown grey 000 979 025 000 979 025 A 000 979 025 C 000 979 026 000 979 026 A 000 979 150 000 979 150 A 000 979 150 C 000 979 151 000 979 151 A 000 979 242 000 979 242 A matching contact housing: matching contact housing:	1   X X X X X X X X X X X X X X	   0,5 0,5 0,5 0,5 0,5 1,0 1,0 1,0 1,0 1,0 2,5 2,5   
(8)	8D0 937 733 A	flat contact housing with contact locking mechanism to be used for: for single wiring:	10 pin brown grey 000 979 025 000 979 025 A 000 979 025 C 000 979 026 000 979 026 A 000 979 150 000 979 150 A 000 979 150 C 000 979 151 000 979 151 A 000 979 242 000 979 242 A matching contact housing: matching contact housing:	X   X X X X X X X X X X X X X	   0,5 0,5 0,5 0,5 0,5 1,0 1,0 1,0 1,0 2,5 2,5   



# ETKA

Model	Year	MG	SG	Illustration	Restrictions	UPD	9:21	12.02.2009
EL	2008	9	71	971-45		739		

Pos	Part Number	Description	Remark	Qty	Model
(8)	1J0 937 733 B	flat contact housing with contact locking mechanism to be used for:  for single wiring:	10 pin red light-green white 000 979 131 000 979 131 A 000 979 133 000 979 133 A 000 979 225 000 979 225 A 000 979 227 1J0 937 743 B 1J0 937 743 E 1J0 937 743 L	X    X X X X X X X  X	1,0 1,0 1,0 1,0 2,5 2,5 2,5
(8)	4F0 937 733 B	flat contact housing with contact locking mechanism also to be used for:  for single wiring:	10 pin red white light-green 000 979 025 000 979 025 A 000 979 025 C 000 979 026 000 979 026 A 000 979 150 000 979 150 A 000 979 150 C 000 979 151 000 979 151 A 000 979 242 000 979 242 A 4F0 937 743 B 4F0 937 743 E 4F0 937 743 L	1    X X X X X X X X X X X X X X X X	0,5 0,5 0,5 0,5 0,5 1,0 1,0 1,0 1,0 1,0 1,0 1,0 2,5 2,5
(8)	8D0 937 733 B	flat contact housing with contact locking mechanism to be used for:  for single wiring:	10 pin red white light-green 000 979 025 000 979 025 A 000 979 025 C 000 979 026 000 979 026 A 000 979 150 000 979 150 A 000 979 150 C 000 979 151 000 979 151 A 000 979 242 000 979 242 A 1J0 937 734 B 1J0 937 734 E 1J0 937 734 L	X    X X X X X X X X X X X X X X X	0,5 0,5 0,5 0,5 1,0 1,0 1,0 1,0 1,0 2,5 2,5







# ETKA

Model	Year	MG	SG	Illustration	Restrictions	UPD	9:21	12.02.2009
EL	2008	9	71	971-45		739		

Pos	Part Number	Description	Remark	Qty	Model
9	1J0 972 775	flat contact housing for single wiring:	10 pin black 000 979 135 000 979 227	X X X	1,0 2,5
		matching contact housing:	1J0 972 785		
(9)	7D0 972 775	flat contact housing for single wiring:	10 pin black 000 979 133 000 979 133 A 000 979 133 AB 000 979 225 000 979 225 A	X X X X X X	1,0 1,0 1,0 2,5 2,5
		matching contact housing:	1J0 972 785		
10	1J0 972 785	flat contact housing for single wiring:	10 pin black 000 979 136 000 979 228	X X	1,0 2,5
		matching contact housing:	1J0 972 775		
		matching contact housing:	7D0 972 775		
11	1J0 973 715	flat contact housing for single wiring:	10 pin black 000 979 019 000 979 019 A 000 979 131 000 979 131 A	X X X X	0,5 0,5 1,0 1,0
		matching contact housing:	6X0 973 815		
12	6X0 973 815	flat contact housing for single wiring:	10 pin black 000 979 132 000 979 132 A	X X	1,0 1,0
		matching contact housing:	1J0 973 715		
13	1J0 973 735	flat contact housing for single wiring:	10 pin black 000 979 021 000 979 021 A 000 979 133 000 979 133 A 000 979 225 000 979 225 A	X X X X X X	0,5 0,5 1,0 1,0 2,5 2,5
		matching contact housing:	1J0 973 835		
14	1J0 973 835	flat contact housing for single wiring:	10 pin black 000 979 022 000 979 022 A 000 979 134 000 979 134 A 000 979 226 000 979 226 A	X X X X X X	0,5 0,5 1,0 1,0 2,5 2,5
		matching contact housing:	1J0 973 735		
15	2TA 973 110	round connector housing matching contact housing:	10 pin white 2TA 973 120 A	X	L 80



# ETKA

Model	Year	MG	SG	Illustration	Restrictions	UPD	9:21	12.02.2009
EL	2008	9	71	971-45		739		

Pos	Part Number	Description	Remark	Qty	Model
16	2TA 973 120 A	cylindrical connector with retaining lug matching contact housing:	10 pin white 2TA 971 110	X	L 80
17	2TA 973 110 A	round connector housing matching contact housing:	10 pin black 2TA 973 120	X	L 80
18	2TA 973 120	cylindrical connector with retaining lug matching contact housing:	10 pin black 2TA 973 110 A	X	L 80
19	3A0 973 715	flat contact housing for single wiring: matching contact housing:	10 pin black 000 979 131 000 979 131 A 3A0 973 815	X X X	1,0 1,0
20	3A0 973 815	flat contact housing for single wiring: matching contact housing:	10 pin black 000 979 132 3A0 973 715	X X	1,0
21	2D0 971 989 BP	flat contact housing for single wiring: matching contact housing:	10 pin black 000 979 133 000 979 133 A 000 979 225 000 979 225 A 2D0 971 989 DG	X X X X X	1,0 1,0 2,5 2,5
22	2D0 971 989 DG	flat contact housing for single wiring: matching contact housing:	10 pin black 000 979 134 000 979 226 2D0 971 989 BP	X X X	1,0 2,5
23	8Z0 972 701	flat contact housing for single wiring: matching contact housing: matching contact housing:	10 pin black 000 979 131 000 979 131 A 000 979 306 8Z0 972 702 1T0 972 711 A	X X X X X	1,0 1,0 4,0
24	8Z0 972 702	flat contact housing for single wiring: matching contact housing:	10 pin black 000 979 132 000 979 132 A 000 979 228 8Z0 972 701	X X X	1,0 1,0 2,5
(24)	1T0 972 711 A	flat connector housing for single wiring: matching contact housing:	10 pin black 000 979 132 000 979 132 A 000 979 228 8Z0 972 701	1 X X X	1,0 1,0 2,5