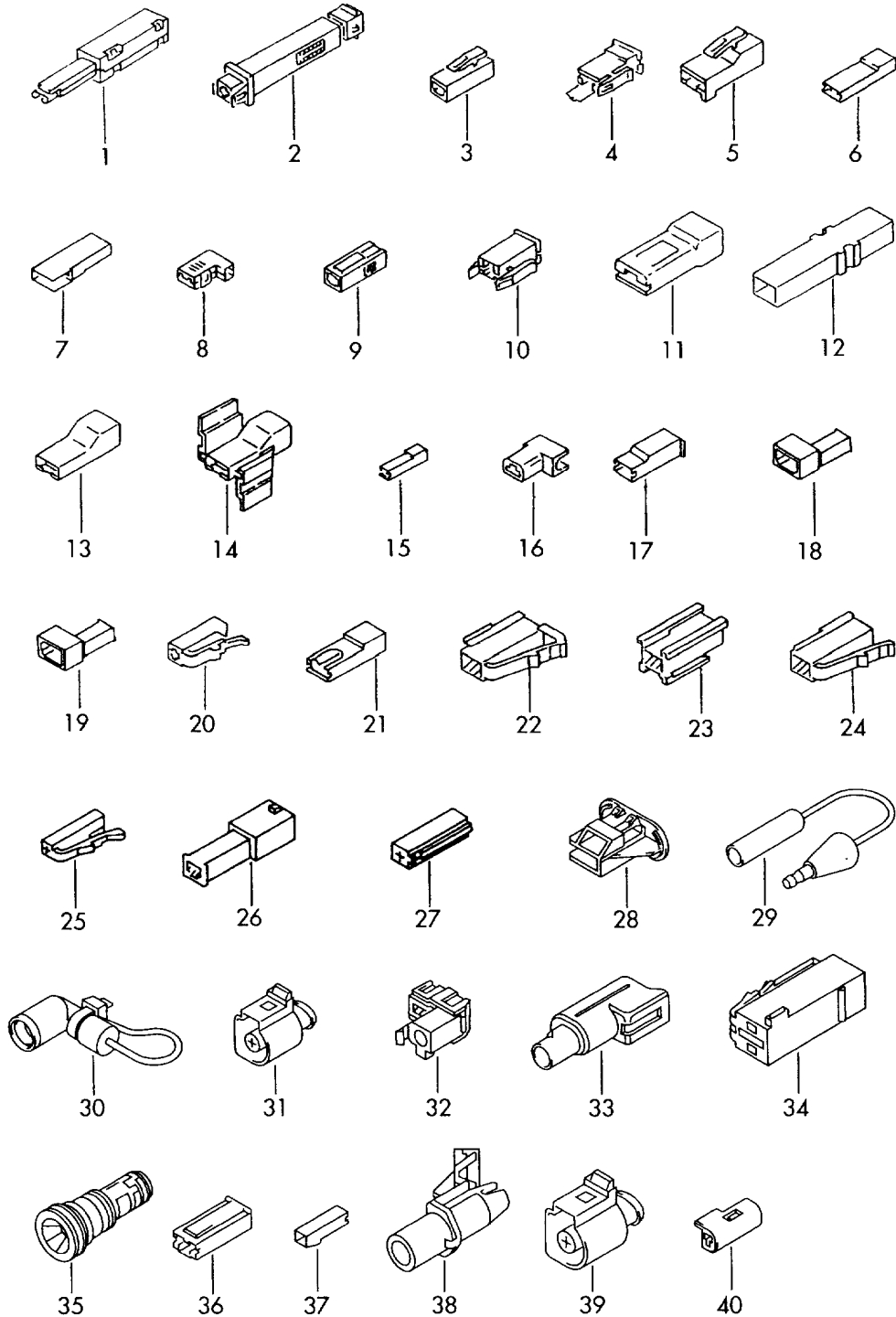




ETKA

Model	Year	MG	SG	Illustration	Restrictions	UPD	8:36	12.02.2009
EL	2007	9	71	970-00		739		





ETKA

Model	Year	MG	SG	Illustration	Restrictions	UPD	8:36	12.02.2009
EL	2007	9	71	970-00		739		

Pos	Part Number	Description	Remark	Qty	Model
		plug housing	1 pin		
1	059 905 371	diode connector		X	
2	059 905 371 D	diode connector		X	
3	357 907 971 B	flat contact housing	1 pin red	X	
		for single wiring:	000 979 107	X	1,0
			000 979 204	X	2,5
			000 979 402	X	6,0
4	191 911 920	flat contact housing	1 pin white	X	
		for single wiring:	000 979 107	X	1,0
			000 979 204	X	2,5
			000 979 402	X	6,0
5	357 915 971 A	flat contact housing	1 pin brown	X	
		for single wiring:	000 979 408	X	6,0
(5)	357 915 971 B	flat contact housing	1 pin red	X	
		for single wiring:	000 979 408	X	6,0
(5)	357 915 971 C	flat contact housing	1 pin yellow	X	
		for single wiring:	000 979 408	X	6,0
6	111 971 921 B	flat contact housing	1 pin natural	X	
		for single wiring:	000 979 107	X	1,0
			000 979 204	X	2,5
			000 979 402	X	6,0
7	1H0 971 921 A	flat contact housing	1 pin black	X	
		for single wiring:	000 979 222	X	2,5
8	211 971 921	angled connector housing	1 pin black	X	
		for single wiring:	000 979 207	X	2,5
9	4A0 971 921	flat contact housing	1 pin black	X	
		for single wiring:	000 979 135	X	1,0
			000 979 227	X	2,5
			000 979 407	X	6,0
10	191 971 922	flat contact housing	1 pin white	X	
		for single wiring:	000 979 107	X	1,0
			000 979 204	X	2,5
			000 979 402	X	6,0
11	443 971 976	flat contact housing ----- single wiring not replacement part	1 pin black	X	



ETKA

Model	Year	MG	SG	Illustration	Restrictions	UPD	8:36	12.02.2009
EL	2007	9	71	970-00		739		

Pos	Part Number	Description	Remark	Qty	Model
12	111 971 977	flat terminal insulator, for single wiring:	1 pin clear glass 000 979 104 000 979 203 000 979 409	X X X X	1,0 2,5 6,0
13	171 971 990	flat contact housing for single wiring:	1 pin white 000 979 408	X X	6,0
14	--- --- ---	no longer available	1 pin red	X	
15	431 971 990 A	flat contact housing for single wiring:	1 pin natural 000 979 106 000 979 129	X X X	1,0 1,5
16	825 971 994	angled connector housing for single wiring:	1 pin old white 000 979 207	X X	2,5
17	431 971 995	flat contact housing for single wiring:	1 pin brown 000 979 106 000 979 212 000 979 405	X X X X	1,0 2,5 6,0
18	357 972 577	flat connector housing for single wiring:	1 pin white 000 979 129 000 979 219	X X X	1,0 2,5
20	701 906 231	flat contact housing for single wiring:	1 pin black 000 979 133 000 979 133 A 000 979 225 000 979 225 A	X X X X X X	1,0 1,0 2,5 2,5
21	447 911 921	flat contact housing for single wiring:	1 pin black 000 979 107 000 979 204	X X X X	1,0 2,5
22	321 945 246	flat contact housing for single wiring:	1 pin black 000 979 135 000 979 227 000 979 407	X X X X X	1,0 2,5 6,0
23	321 945 246 A	flat contact housing with retainer guide for single wiring:	1 pin natural 000 979 135 000 979 227 000 979 407	X X X X X	1,0 2,5 6,0



ETKA

Model	Year	MG	SG	Illustration	Restrictions	UPD	8:36	12.02.2009
EL	2007	9	71	970-00		739		

Pos	Part Number	Description	Remark	Qty	Model
24	321 945 246 B	flat contact housing for single wiring:	1 pin red 000 979 135 000 979 227 000 979 407	X X X	1,0 2,5 6,0
(24)	7D0 937 701 KD	flat contact housing for single wiring:	1 pin black 000 979 133 000 979 133 A 000 979 225 000 979 225 A	X X X X	1,0 1,0 2,5 2,5
(24)	7D0 937 711	flat contact housing with contact locking mechanism for single wiring:	1 pin black 000 979 135 000 979 135 A 000 979 227 000 979 407	X X X X	1,0 1,0 2,5 6,0
25	1H0 972 701	flat contact housing for single wiring:	1 pin black 000 979 019 000 979 019 A 000 979 131 000 979 131 A	X X X X	0,35 0,35 1,0 1,0
26	535 972 711 H	flat connector housing for single wiring:	1 pin red 000 979 302	X X	4,0
27	3A0 972 701 H	flat contact housing for single wiring:	1 pin black 000 979 133 000 979 133 A 000 979 225 000 979 225 A	X X X X	1,0 1,0 2,5 2,5
28	6N0 971 701	flat contact housing for single wiring:	1 pin black 000 979 207 000 979 402	X X X	2,5 4,0
(28)	6Q0 971 701 A	flat contact housing for single wiring:	1 pin black 000 979 207 000 979 402	1 X X	2,5 4,0
29	2TA 971 943	wiring harness adapter	1 pin black	X	
30	2TA 973 111	angled connector with harness	1 pin black	X	
(31)	1J0 973 701 A	flat contact housing with contact locking mechanism for single wiring:	1 pin brown 000 979 019 000 979 019 A 000 979 131 000 979 131 A	X X X X	0,35 0,35 1,0 1,0



ETKA

Model	Year	MG	SG	Illustration	Restrictions	UPD	8:36	12.02.2009
EL	2007	9	71	970-00		739		

Pos	Part Number	Description	Remark	Qty	Model
31	1J0 973 081	flat contact housing with contact locking mechanism for single wiring:	1 pin black 000 979 019 000 979 019 A 000 979 131 000 979 131 A	X X X X	 0,35 0,35 1,0 1,0
32	2D0 971 989 T	rd. connector sleeve housing cyl. connector with solder pin	1 pin black 2D0 972 982 F	X	
33	7M0 972 711	round connector housing for single wiring:	1 pin black 000 979 146 000 979 239	X X X	 1,0 2,5
34	7M0 972 751 B	flat contact housing for single wiring:	1 pin red 000 979 406	X X	 4,0
35	2D0 971 989 DC	rd. connector sleeve housing	1 pin black	X	
36	6N0 971 921	flat contact housing for single wiring:	1 pin black 000 979 236 000 979 309	X X X	 2,5 4,0
37	2D0 971 989 BR	flat contact housing for single wiring:	1 pin old white 000 979 106	X X	 1,0
38	03G 971 785	rd. connector sleeve housing glow plug	1 pin black	X	
39		see illustration:	970-05,POS(21)		
40	7L0 947 971	flat contact housing for single wiring:	1 pin 000 979 037	1 X	 0,5